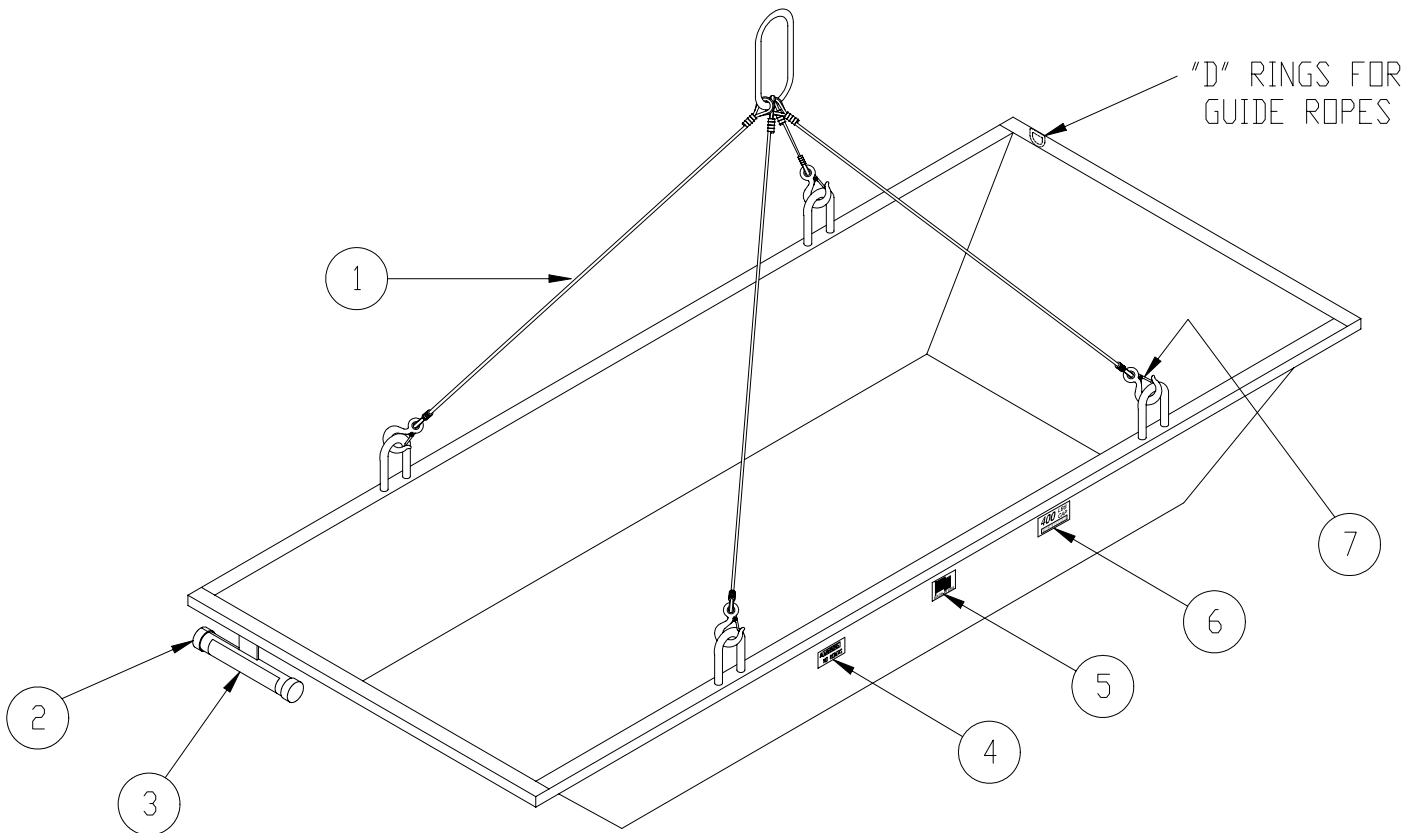


0100052
SMALL TRASH TRAY W/CABLE ASSEMBLY
400 LBS. CAP.

ASSEMBLY PARTS LIST

REF #	PART #	QTY	DESCRIPTION
1	0104291	1	CABLE ASSY
2	6403928	2	INSTRUCTION TUBE END CAP BLACK
3	6204065	1	DECAL "INSTRUCTIONS INSIDE"
4	6204059	2	DECAL "WARNING NO RIDERS"
5	6205685	1	DECAL "MADE IN USA"
6	6205657	2	DECAL "400 LBS CAP."
7	7300224	4	LATCH KIT



EMPTY WT.: - 63 LBS. approx.
CAPACITY: - 400 LBS.
VOLUME: - 5.5 Cubic Ft.

WIRE ROPE INSPECTION PROCEDURE



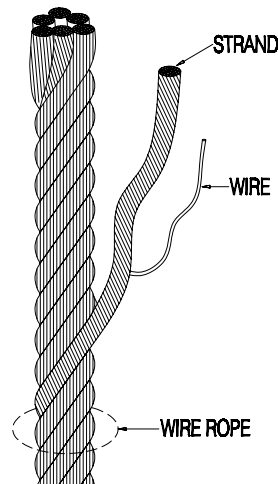
WARNING:

WEAR HEAVY LEATHER GLOVES WHEN HANDLING WIRE ROPE.

Inspect the wire rope prior to each use and at least daily for signs of wear, damage, or pinching. Inspect the entire wire rope working length. Thoroughly inspect the rope sections that pass over sheaves or drums, or that make opposing turns. Inspect wire rope and end attachments carefully. While inspecting, examine sheaves, guards, guides, drums, flanges, and other surfaces contacting wire rope during operation. Correct any condition harming the rope in use or other damage or worn surfaces at this time.

Remove or replace immediately wire rope with one or more of the following defects:

1. Corrosion
2. Broken wires:
 - (a) One or more valley breaks. A valley break is a wire break occurring in the valley between two adjacent strands.
 - (b) Six randomly distributed broken wires in one rope lay. A rope lay is the length of rope along which one strand makes a complete revolution around the rope. See Figure 1. Keeping the rope clean and wound evenly on the drum will increase its life and efficiency.



(Figure 1.)

Wire Rope Components

3. Abrasion: Scrubbing, flattening or peening causing loss of more than one-third of the original diameter of the outside wires.
4. Kinking: Severe kinking, crushing, bird caging or other damage causing distortion of the rope structure. Bird caging is a bulging in the wire rope caused by the individual wires becoming untwisted. This untwisting of individual wires is usually caused by impact loading on the wire rope (such as a sudden stop).
5. Heat damage: Evidence of any heat damage caused by a torch or by contact with electrical wires.
6. Reduction of more than 1/64 inch from the nominal 5/32 inch diameter wire rope. Marked reduction in diameter indicates core deterioration.