

400 LB Platform Hoist Support Arm Accessory (Tubular Scaffold Attachment)

This kit allows the track to be mounted sideways with support arms at various points along a scaffold frame for safe, sure loading.

1. Mount the Support Arm to the scaffold at the height desired for resting the hoist, as shown in FIG. 1.
2. Secure the Support Arm using the supplied square snap clevis pin and scaffold lock, as shown in FIG. 2.
3. Position the hoist track between the two permanently mounted large washers on the support arm, with a track cross tie placed in the cross tie hook. Secure the crosstie in the hook with the supplied square snap clevis pin, as shown in FIG. 2.



WARNING:

ONLY THE 24 INCH WIDE 400 LB TRACK IS DESIGNED TO FIT SECURELY ONTO THE SUPPORT ARM. ANY ATTEMPT TO INSTALL THE 17 INCH WIDE 200 LB TRACK ONTO THE SUPPORT ARM CAN CAUSE EQUIPMENT DAMAGE AND/OR SERIOUS PERSONAL INJURY.



WARNING:

BOTH THE SUPPORT ARM AND THE PLATFORM HOIST ARE USING THE SCAFFOLD FOR SUPPORT. IF THIS SCAFFOLD IS NOT SECURED IN ACCORDANCE WITH ANSI SPECIFICATION NUMBER ANSI A10.8-1988, EQUIPMENT DAMAGE AND/OR SERIOUS PERSONAL INJURY CAN RESULT.

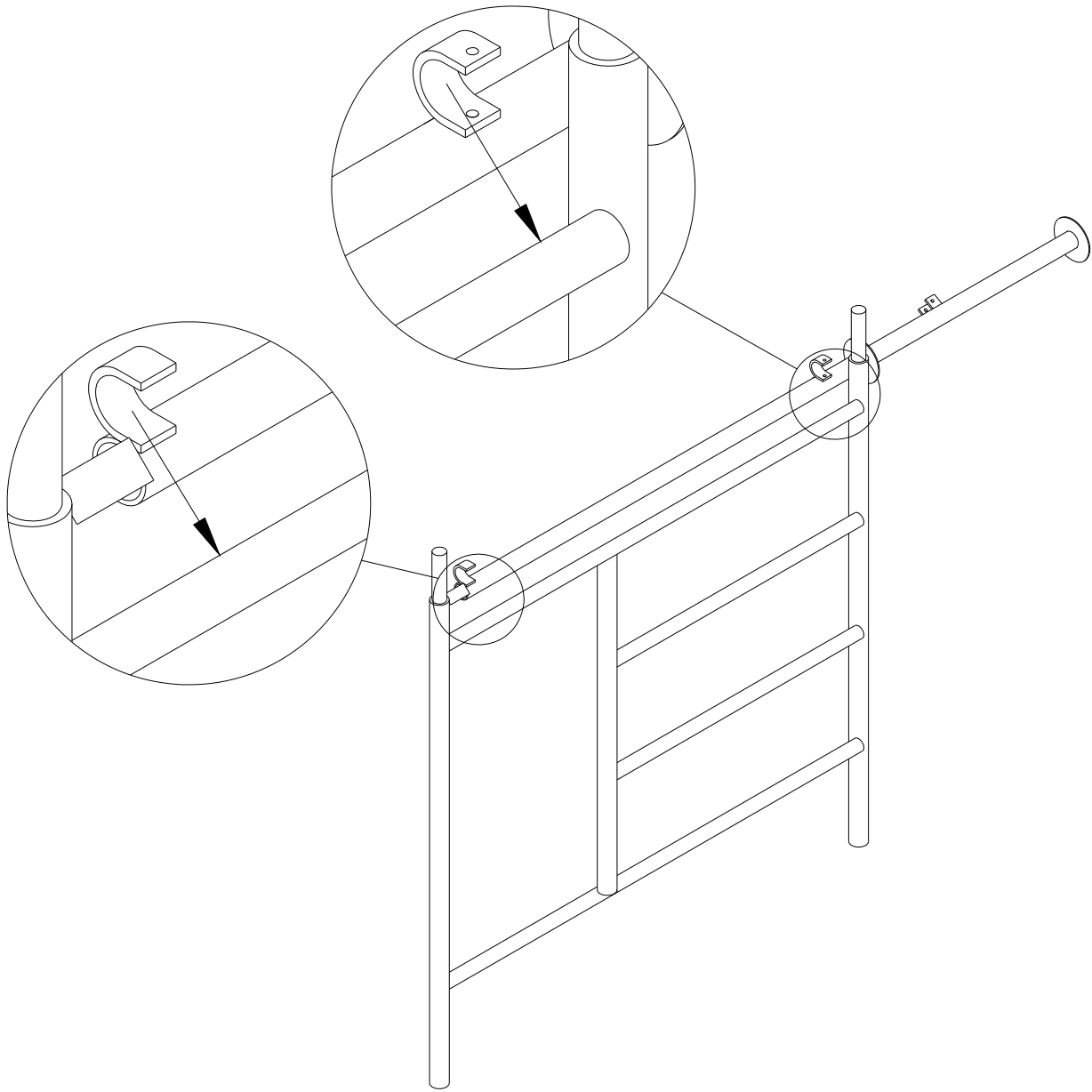


FIG. 1

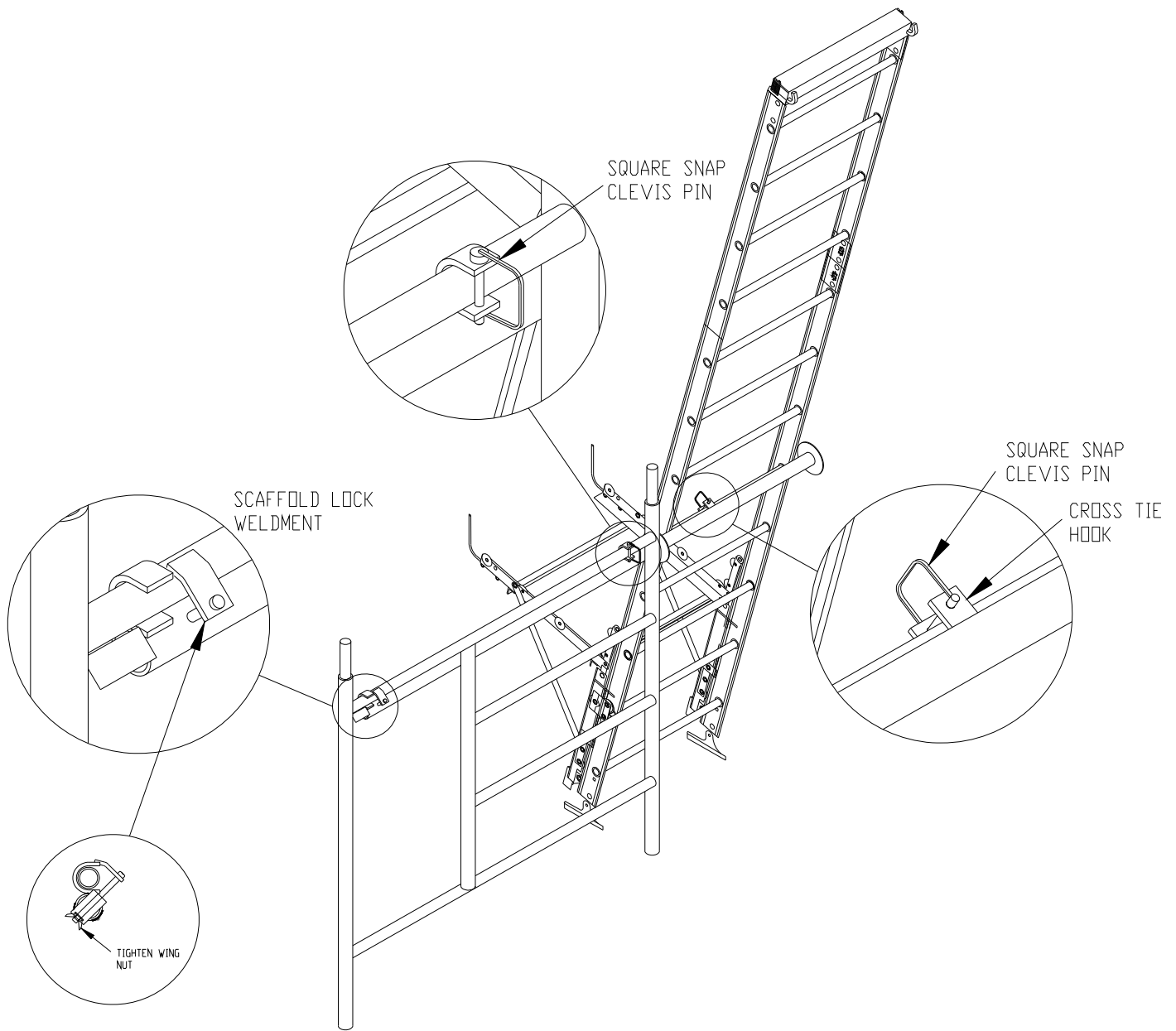


FIG. 2