



PL250 & PL400 Parts

04/20/00

OBSOLETE

8 PARTS LISTS

Each item number on the following parts lists can be matched with the item number shown on the corresponding assembly drawing as indicated below.

8.1 PL250 PLATFORM HOIST

Refer to Figure 8-1.

| Item Number | Part Number | Quantity | Description |
|-------------|-------------|----------|--|
| 1 | 0400803 | 1 | MAIN FRAME |
| 2 | 0404302 | 1 | PIVOT BRACKET |
| 3 | 0404303 | 1 | PLATFORM |
| 4 | 0404804 | 6 | GUIDE ROLLER |
| 5 | 0404305 | 1 | ROD |
| 6A | 0400576 | 1 | TOP SHEAVE BRACKET |
| 6B | 7300806 | 1 | TOP SHEAVE |
| | 5806371 | 1 | NUT FOR 6B SHEAVE |
| | 5806304 | 1 | BOLT FOR 6B SHEAVE |
| 7A | 0400575 | 4 | SPRING, BOLT & NUT |
| 8 | 0404308 | 2 | BRACE |
| 9 | 0404309 | 2 | RETAINING BRACKET |
| 10 | 0404810 | 6 | TROLLEY WHEEL |
| 11 | 0404811 | 12 | 2" DIAMETER WHEEL |
| 15 | 0400828 | 2 | SPLICE PLATE PL250/400 |
| 53 | 7300653 | 1 | SAFETY HOOK |
| | 5800831 | 4 | NUT & BOLT SPLICE |
| | 0406096 | PR | SHOE KIT W/ BRACKETS |
| | 0406042 | | REPLACEMENT CROSS TIE |
| | 0482800 | 1 | SPLICE PLATE KIT CONSISTING OF: (2) SPLICE PLATES & (8) NUTS & BOLTS |

8.2 PL400 PLATFORM HOIST

Refer to Figure 8-2.

| Item Number | Part Number | Quantity | Description |
|-------------|-------------|----------|--------------------|
| 1 | 0400805 | 1 | MAIN FRAME |
| 2 | 0404202 | 1 | PIVOT BRACKET |
| 3 | 0404203 | 1 | PLATFORM |
| 4 | 0404804 | 8 | GUIDE ROLLER |
| 5 | 0404205 | 1 | ROD |
| 6A | 0400574 | 1 | TOP SHEAVE BRACKET |
| 6B | 7300806 | 2 | TOP SHEAVE |
| | 5806370 | 1 | NUT FOR 6B SHEAVE |
| | 5806326 | 1 | BOLT FOR 6B SHEAVE |
| 7A | 5800131 | 4 | SPRING |
| 8 | 0404208 | 2 | BRACE |
| 9 | 0404209 | 2 | RETAINING BRACKET |
| 10 | 0404810 | 10 | TROLLEY WHEEL |
| 11 | 0404811 | 16 | 2" DIAMETER WHEEL |

| | | | |
|----|---------|----|---|
| 15 | 0400828 | 2 | SPLICE PLATE PL250/400 |
| 16 | 0404216 | 2 | WHEEL BRACKET |
| 17 | 0404217 | 2 | WHEEL PLATE |
| 18 | 0404218 | 2 | PLATFORM STOP |
| 53 | 7300653 | 1 | SAFETY HOOK |
| | 5800831 | 4 | NUT & BOLT SPLICE |
| | 0406096 | PR | SHOE KIT W/ BRACKETS |
| | 0406042 | | REPLACEMENT CROSS TIE |
| | 0482800 | 1 | SPLICE PLATE KIT CONSISTING OF: (2) SPLICE PLATES & (8) NUTS & BOLTS |

8.3 250E-250G POWER DRIVES

Refer to Figure 8-3.

| Item Number | Part Number | Quantity | Description |
|-------------|-------------|----------|-----------------------------------|
| 1 | 0400707 | 1 | FRAME |
| 1 | 0400708 | 1 | FRAME HONDA |
| 2 | 0404402 | 1 | CLUTCH LEVER |
| 2A | 0404403 | 1 | CLUTCH HANDLE |
| 3 | 0404404 | 1 | BRAKE LEVER |
| 3A | 0404405 | 1 | BRAKE HANDLE |
| 4 | 0404406 | 1 | ENGINE PLATE |
| 5 | 0404407 | 1 | PIVOT SHAFT |
| 6 | 0404408 | 1 | CROSS TIE CLAMP |
| 7 | 0404409 | 1 | CROSS TIE LOCK |
| 8 | 0404410 | 1 | BRAKE LEVER |
| 9 | 0404411 | 1 | SHAFT |
| 10 | 5800149 | 1 | SPRING |
| 11 | 0404412 | 1 | BELT GUIDE (GAS) |
| 11 | 0404423 | 1 | BELT GUIDE HONDA |
| 12 | 0404413 | 1 | PIN |
| 13 | 0462501 | 1 | BRAKE ROPE |
| 13 | 0462801 | 1 | BRAKE ROPE HONDA |
| 14 | 0404401 | 1 | MOTOR PLATE |
| 15 | 0404400 | 1 | COUNTER SHAFT |
| 16 | 6400654 | 1 | HANDLE GRIP 7/8" |
| 17 | 7300611 | 1 | BRAKE SHEAVE 10" |
| 18 | 5100718 | 2 | BEARING PB100 X 1 |
| 19 | 6700719 | 1 | V BELT B56 |
| 20 | 0400720 | 1 | SHEAVE & DRUM (LESS BRAKE SHEAVE) |
| 21 | 5800131 | 1 | SPRING |
| 22 | 5800136 | 1 | SPRING |
| 23 | 5800737 | 1 | BOLT EYE 13 1/4" |
| 23 | 5800739 | 1 | ROD END HONDA |
| 24 | 5800661 | 1 | SPRING |
| 25 | 0404414 | 1 | HANDLE EXTENSION |
| 26 | 5500726 | 1 | ENGINE GAS 3.5 HP |
| 26 | 5500630 | 1 | ENGINE GAS HONDA |
| 27 | 6500166 | 1 | MOTOR ELECTRIC 1.5 HP |
| 28 | 5100728 | 2 | BEARING 3/4" |

| | | | |
|----|---------|---|-----------------------|
| 29 | 7300153 | 1 | SHEAVE BK40 X 3/4 |
| 30 | 7300730 | 1 | SHEAVE AK30 X 7/8 |
| 31 | 7300731 | 1 | SHEAVE SAK80 X 3/4 |
| 32 | 7300732 | 1 | SHEAVE BK52 X 3/4 |
| 33 | 6700733 | 1 | BELT A32 |
| 34 | 5400163 | 1 | SWITCH |
| 35 | 5400173 | 1 | CORD & PLUG |
| 37 | 0405407 | 1 | GUARD |
| 38 | 5800138 | 3 | SPRING & LOCK PIN |
| 39 | 0405408 | 1 | GUARD (ELECTRIC) |
| 40 | 0405399 | 1 | BELT GUIDE (ELECTRIC) |
| 43 | 5800125 | 2 | PIN & COTTER 5/16 |
| 44 | 6400143 | 1 | HANDLE GRIP 1" |
| 51 | 7304210 | 1 | ROPE 5/32" 130 FEET |
| 55 | 0406720 | 1 | GUARD/SWITCH ASSEMBLY |

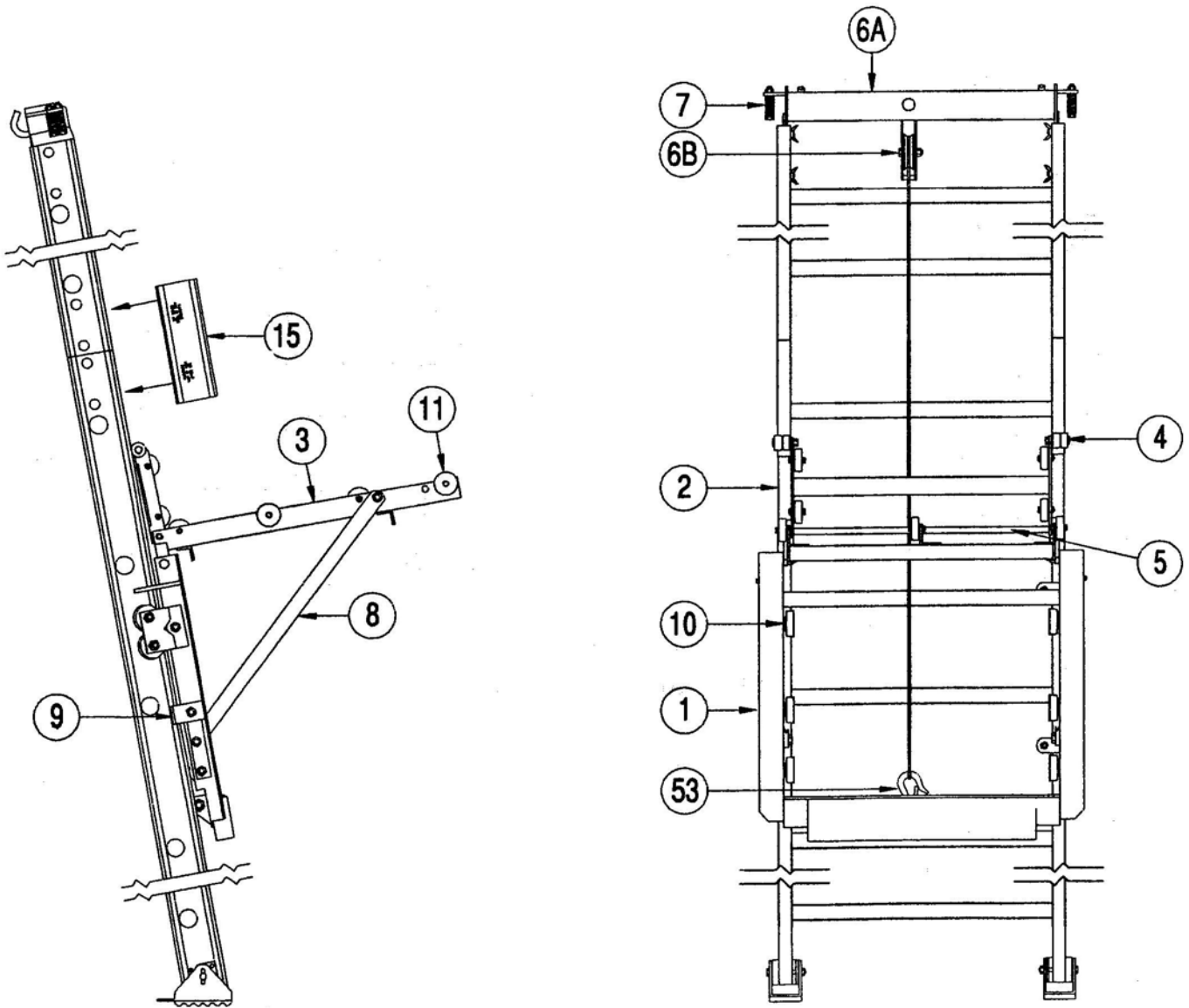


Figure 8-1.
PL250 Assembly Drawing

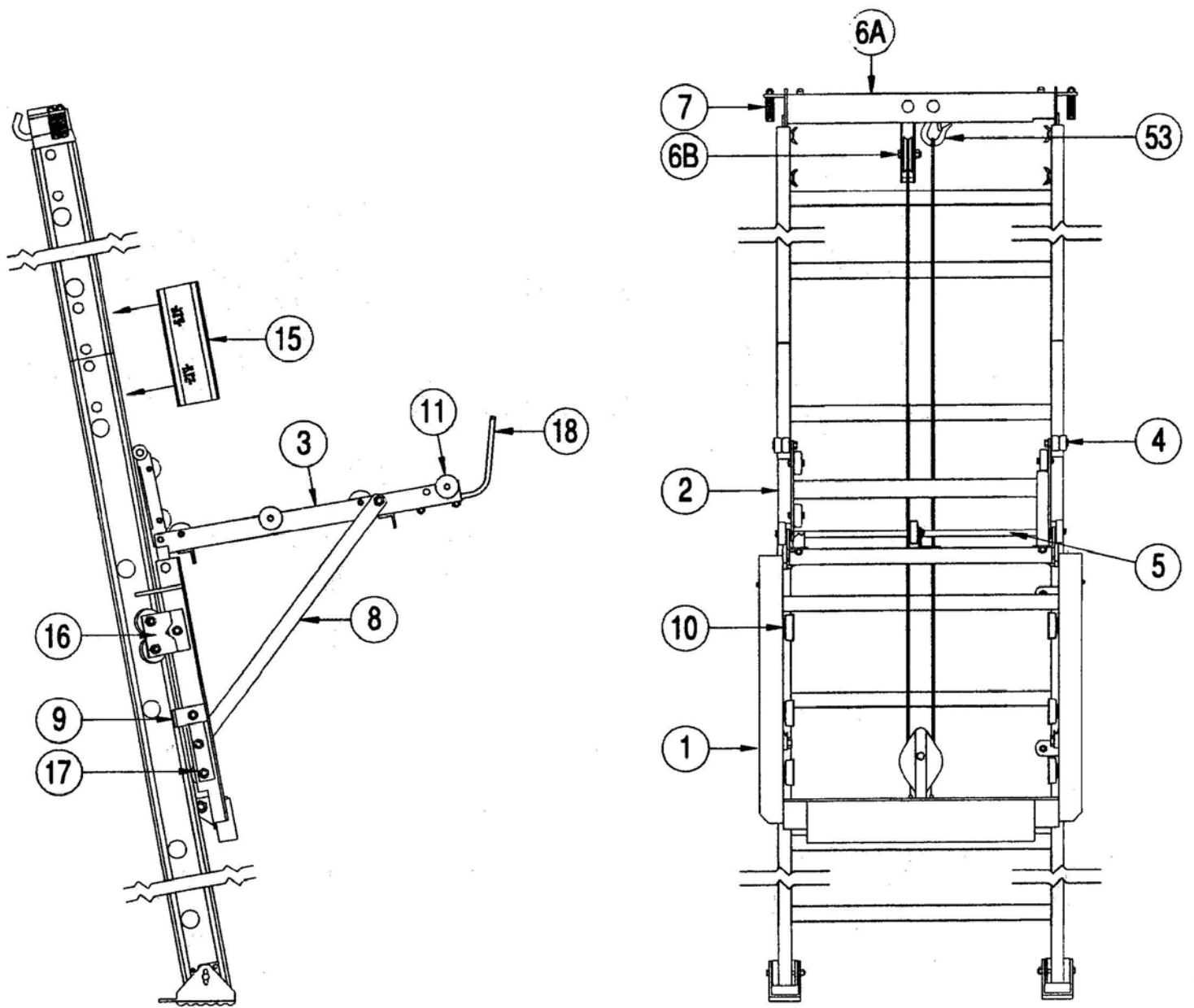


Figure 8-2.
PL400 Assembly Drawing

