



Building Quality Engineered Marine Products Since 1946

# Overhead Lifts



**Overhead Lift with Adjustable Slings**

## Features & Benefits

- Models available to lift 3000 lbs. and 4500 lbs.
- Exceptional lifting ranges make Overhead Lifts ideal for fluctuating water levels.
- Excellent lift for rough water or floating debris conditions.
- Durable galvanized steel frame requires minimal maintenance.
- Installation is easy with basic hand tools.
- Adjustable frame permits customizing to fit most boats' dimensions.
- 18 in. adjustable legs accommodate a range of water depths.
- Power drives are offered with or without optional remote control feature.
- Choose between nylon slings and galvanized steel I-beam cradles to support your boat.
- Blocks with brass bushings are available as an upgrade.
- Catwalk brackets make your boat more accessible.
- A wheel kit and skid plates are offered to make moving IB Lifts easier.
- 5 year limited warranty on galvanized steel materials and workmanship in fresh water applications.

## Specifications

Model	Weight Capacity	Maximum Beam	Overall Length	Overall Height	Maximum Width	Leg Adjustment	Weight
IB3000E	3000 lbs.	114 in.	132 in. - 156 in.	148 in. - 170 in.	162 in.	18 in.	933 lbs.
IB4500E	4500 lbs.	114 in.	132 in. - 156 in.	148 in. - 170 in.	162 in.	18 in.	940 lbs.

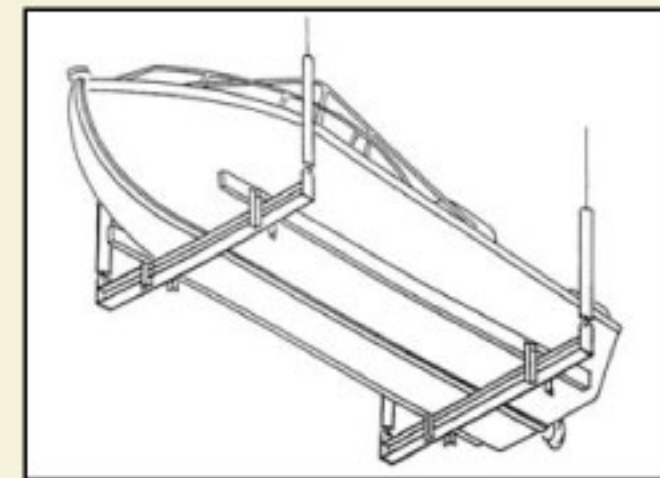
All measurements are approximate.

## RGC Advantage

RGC Overhead Lifts raise your boat high above damaging rough water and debris.

Installation requires only basic hand tools and the lift operates simply by the turn of a switch.

Adjustable legs allow the lift to adapt to deeper water and uneven lake bottoms. The frame is also adjustable to position slings or cradles at the desired location on the boat's hull.



**I-Beam Cradles**

## Accessories

- **I-Beam Cradles** provide full length support of boat's hull and are ideal for choppy water conditions. (Wood not included)
- **Nylon Slings** are adjustable and conform to the boat's hull. Sold in pairs of 2 in., 4 in. and 6 in. widths with hardware.
- **Remote Control** kits enable you to raise and lower your boat from up to 100 feet away.
- **Catwalk Brackets** support a wood plank to walk on and provide easier access to your boat.
- **Skid Plates** make it easier to drag your lift over sand and help prevent it from sinking in mucky lake bottoms.
- **IB Wheel Kit** makes seasonal installation and removal easier.
- **Blocks with Brass Bushings** are options that that can extend the service life of your lift. Call the factory for details.

## REIMANN & GEORGER CORPORATION

P.O. Box 681 • Buffalo, NY • 14240-0681

Phone: (716) 895-1156 • Fax: (716) 895-1547

Toll Free: 800-831-LIFT (5438) • Web: [www.rgcproducts.com](http://www.rgcproducts.com)

© 2011 Reimann & Georger Corporation. All rights reserved. IDG 1M 1.11

RGC Marine Products Are Distributed By: