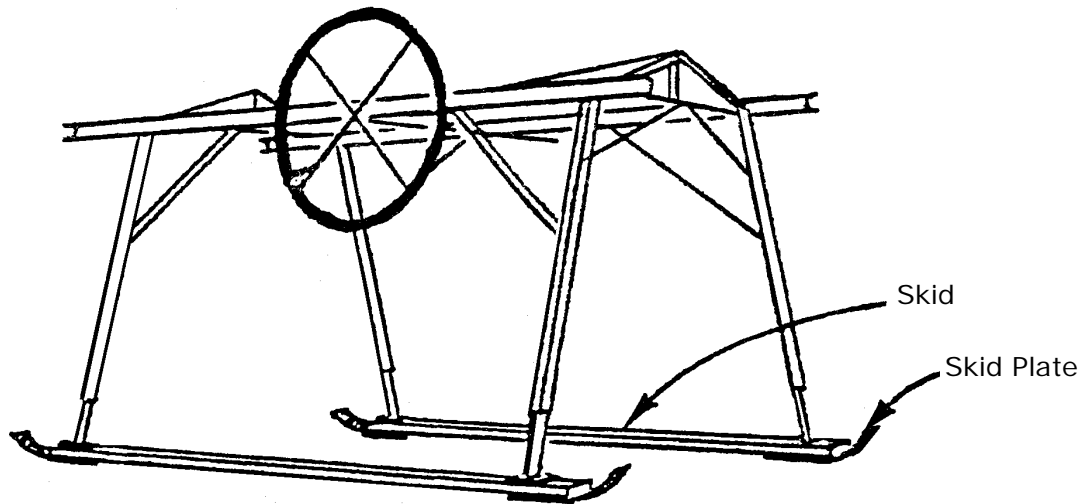




IB SKID and SKID PLATE INSTRUCTIONS



Skids and Skid Plates are used to facilitate moving your boat lift. Skids can also help prevent sinking in soft bottom bodies of water. Skid Plates are mounted on the ends of the Skids to protect and help them to move over obstructions.

Select your Skids of sound hard or medium hard lumber. The length is determined by measuring the distance between the holes in the foot plates and adding twenty (20) inches. Use either 2" x 8" or 3" x 8" lumber for the Skids.

REQUIRED HARDWARE:

2" x 8" Skids	1/2" x 3" long carriage bolts	8 pieces
3" x 8" Skids	1/2" x 4" long carriage bolts	8 pieces
All Skids	1/2" washers	4 pieces

Drill two (2) 1/2" holes thru wood skids at each corner.

