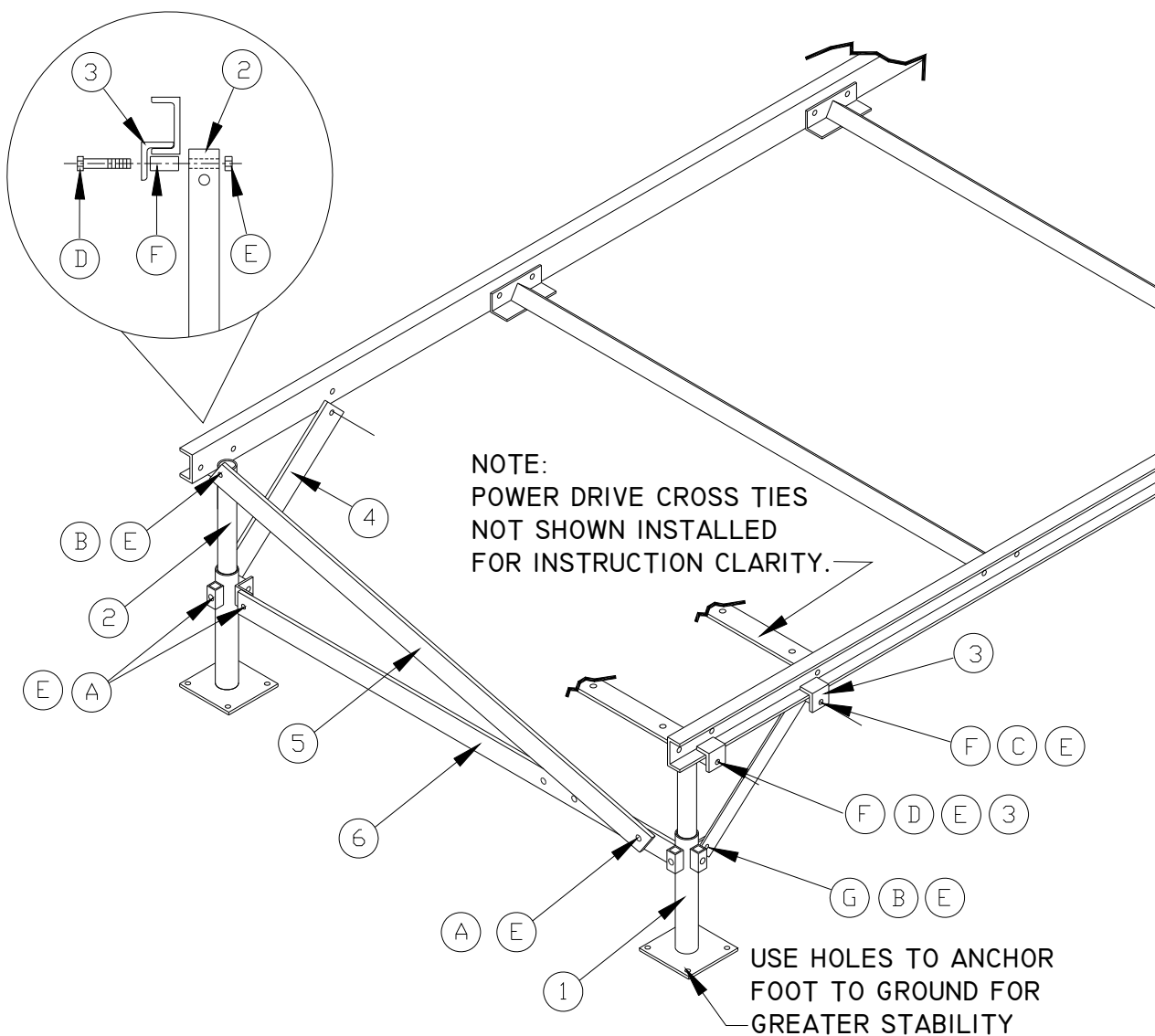




P/N 3515011
BR4K #1 TRACK SUPPORT
INSTRUCTION SHEET
18-1/2" TO 27-1/2" ADJUSTABLE HEIGHT

<u>P / N</u>	<u>QTY</u>	<u>REF#</u>	<u>DESCRIPTION</u>
3580261	1		BR4K #1 TRACK SUPPORT - CARTON OF PARTS consisting of:
3503426	2	(1)	BR TRACK SUPPORT BASE TUBE ASSEMBLY
3503419	2	(2)	BR TRACK SUPPORT UPPER TUBE 16" LG.
3505975	4	(3)	BR4K TRACK SUPT. CLAMP ANGLE
3505956	2	(4)	BR TRACK SUPPORT / RAIL DIAG. BRACE 18"
3580241	1		BR4K TRACK SUPPORT - COMMON BUNDLE consisting of:
3503427	1	(5)	BR4K TRACK SUPPORT DIAG. BRACE 53-1/2" 3-HOLE
3503444	1	(6)	BR4K TRACK SUPPORT CROSS TIE 53-1/2" 4-HOLE
3580231	1		BR4K TRACK SUPPORT - BAG OF BOLTS consisting of:
5858201	7	(A)	1/2-13 x 1-1/2" HHCS
5806286	3	(B)	1/2-13 x 2-1/2" HHCS
5806287	2	(C)	1/2-13 x 2-3/4" HHCS
5806292	2	(D)	1/2-13 x 4" HHCS
5806142	10	(E)	1/2-13 NYLOCK HEX NUT
3503428	4	(F)	BR4K TRACK SUPT. UPPER SPACER
3508111	2	(G)	BR TRACK SUPT. LOWER SPACER
5806400	2	(J)	1/2" SAE FLAT WASHER

1. During installation, the following precautions must be observed when lifting any part of this equipment:
 - a. Be sure of your footing.
 - b. Bend your knees and lift with your legs.
 - c. Hold the equipment section close to your body when lifting.
2. Assemble track supports as indicated below. Install at 3-1/2 FT intervals.
3. Adjust height as desired using nut & bolt set-screw adjustment on base tube #1.
4. Tighten all hardware before using railway.



⚠ TRACK MUST BE SUPPORTED EVERY 4 FT

TRACK MUST BE SUPPORTED EVERY 3-1/2 FT.