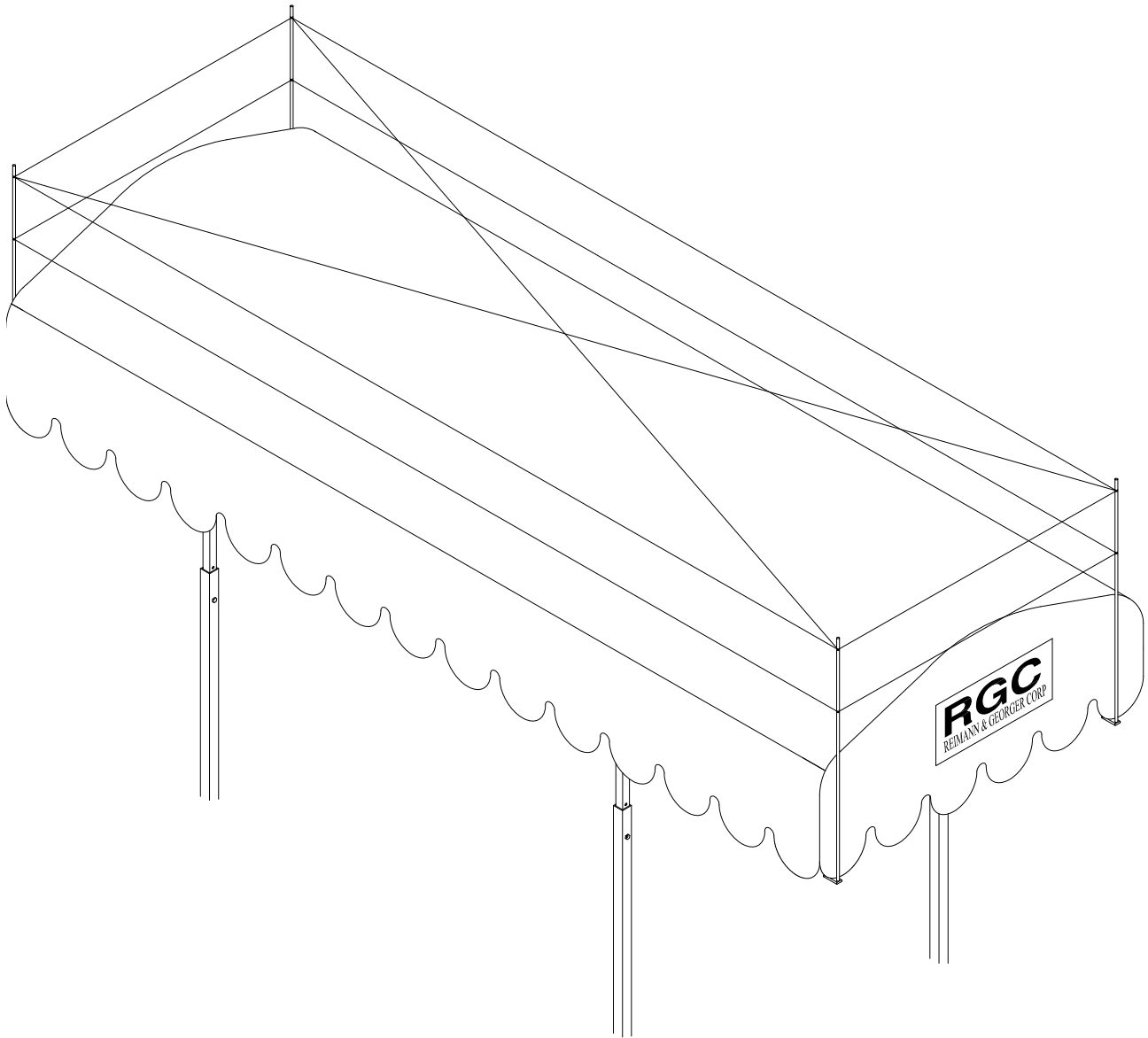


RGC[®]
REIMANN & GEORGER CORP.
HOISTING - MARINE - CONSTRUCTION

Seagull Eliminator



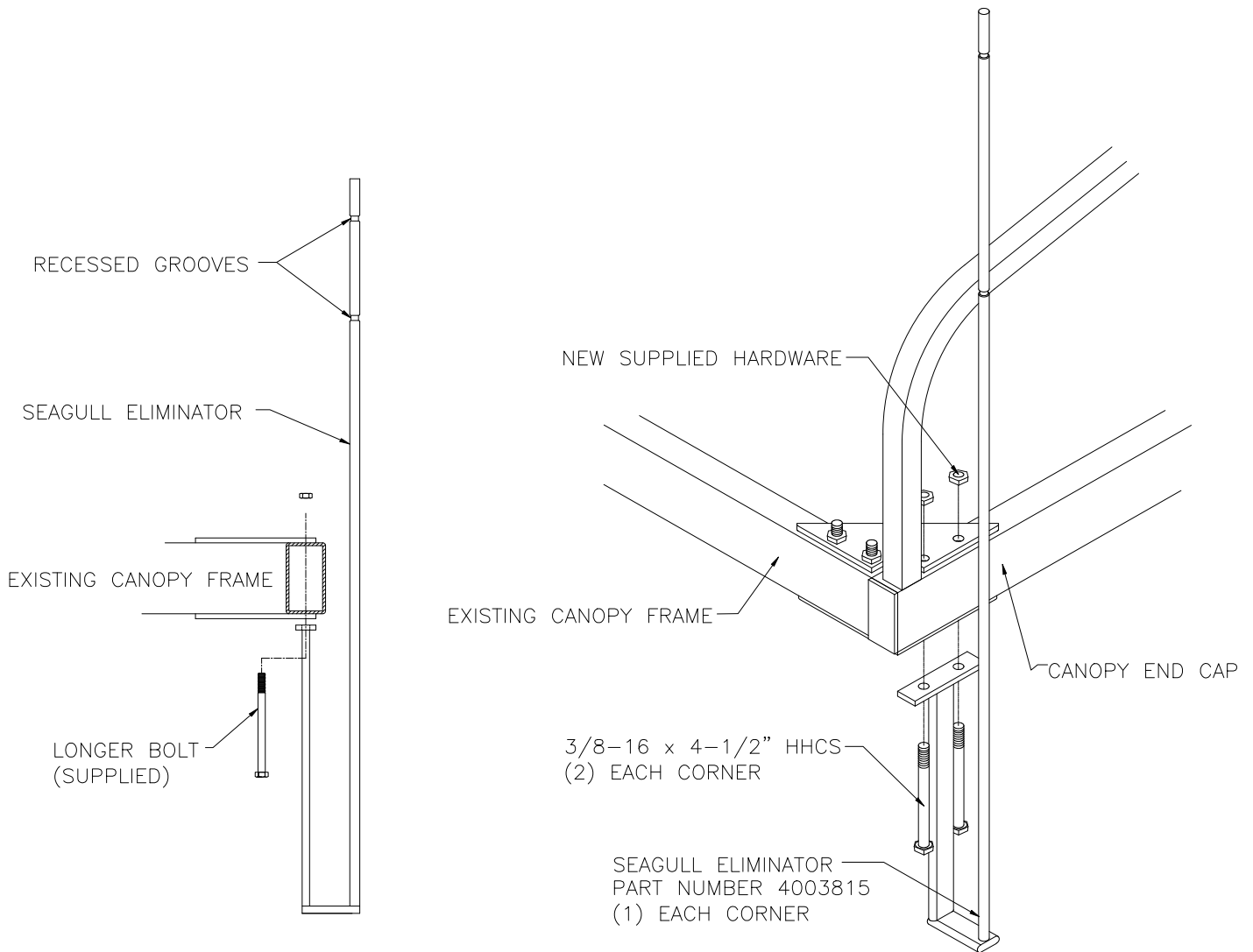
REIMANN & GEORGER CORPORATION
MARINE PRODUCTS

BUFFALO, NY
6/18/08

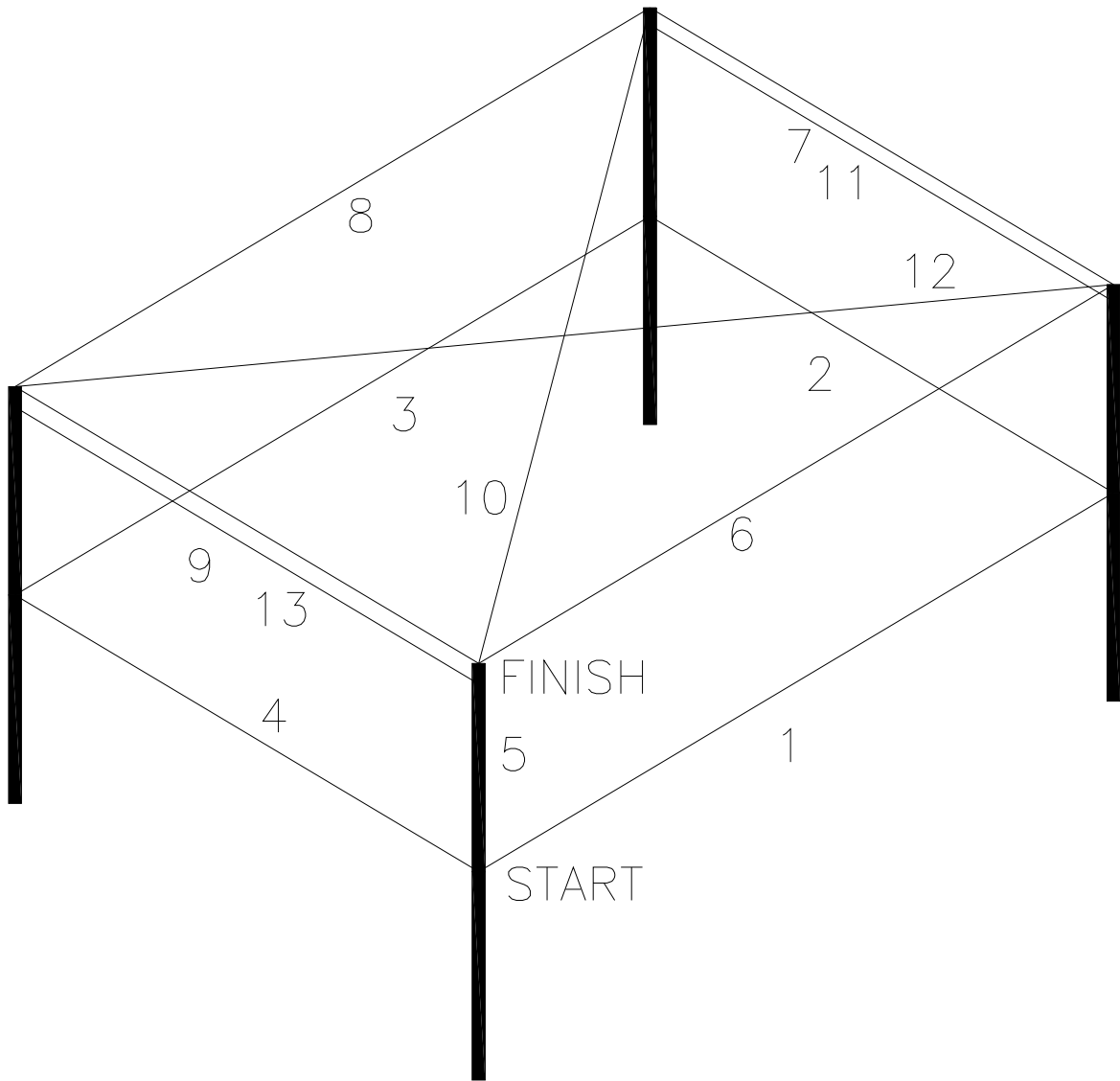
1 INSTALLATION AND SETUP

The Seagull Eliminator is designed to be use on RGC canopies to eliminate seagulls from landing on and soiling your canopy.

To install the Seagull eliminator, you will need (2) 9/16 wrenches. Remove the existing bolts on each corner of the canopy frame and install the longer bolts supplied with the kit. Slide the post onto the longer bolts and re-install the nuts. Repeat this procedure at each corner. String the fishing line of your choice around the recessed grooves on the posts. Start at one corner and follow around the canopy as shown below.



Assembly of the Seagull Eliminators



Assembly of Fishing Line

(Fishing Line Goes Over the TOP of the Canopy)