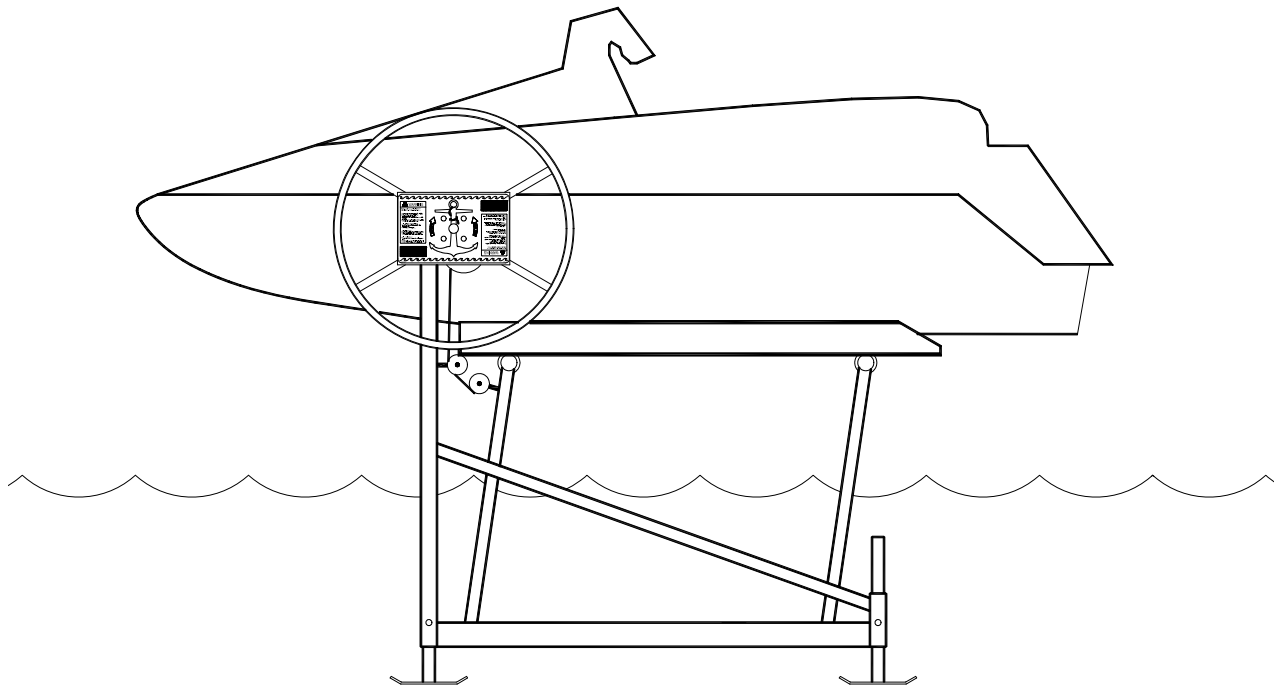




PL1200 WINCH EXT. INSTRUCTIONS



REIMANN & GEORGER CORPORATION
MARINE PRODUCTS
P/N 6112---

BUFFALO, NY
5/06/11

7 PARTS LIST

Each reference number or letter in the following parts list can be matched with the reference number or letter referred to in both the text and illustrations of Chapter 3, Installation and Setup.

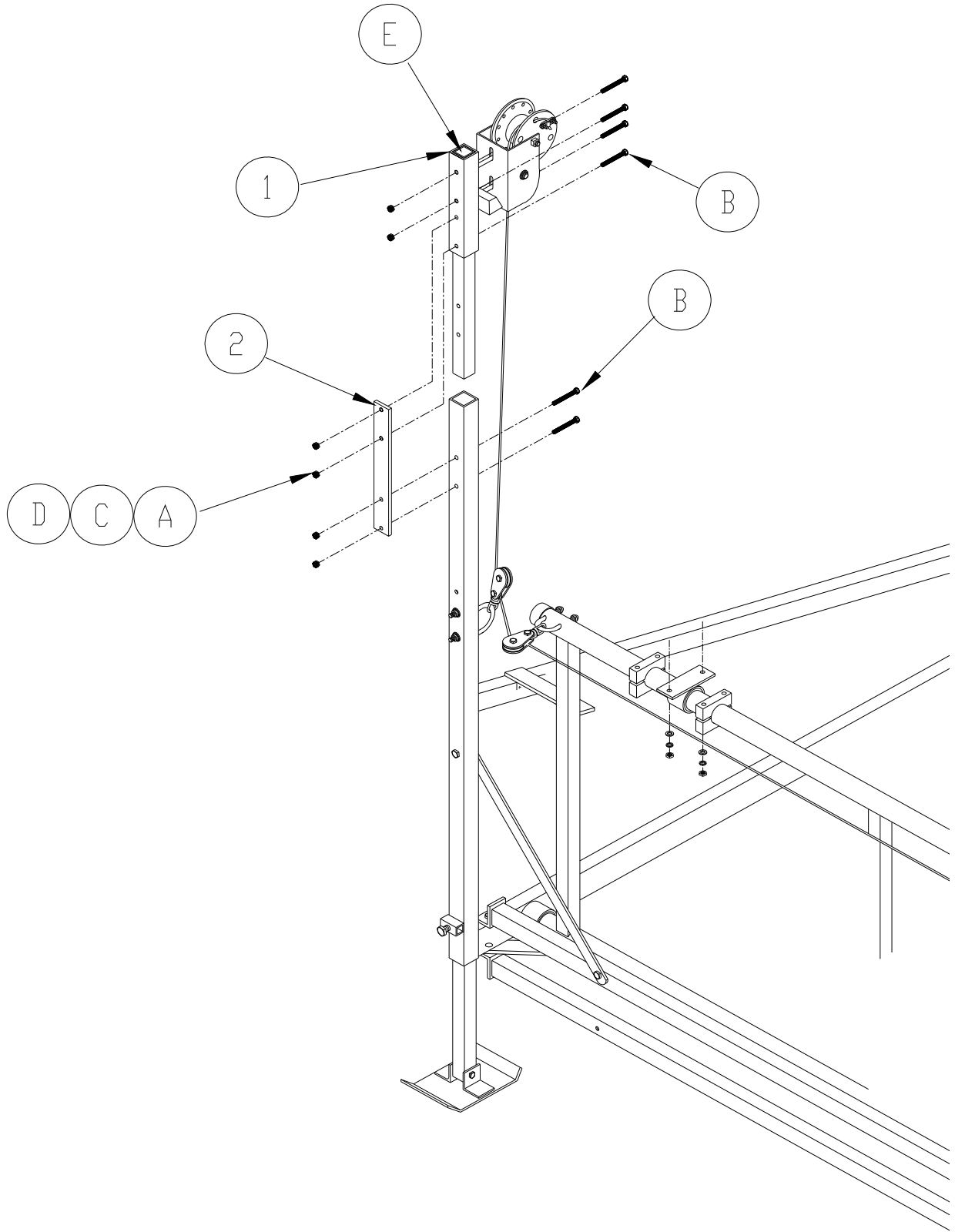


WARNING:

FAILURE TO APPLY A SUITABLE LUBRICANT TO THE MATING SURFACES OF STAINLESS STEEL THREADED FASTENERS MAY CAUSE GALLING AND/OR SEIZING OF ASSEMBLY.

7.1 #3406145 PL1200 WINCH EXTENSION PARTS

REF #	PART #	QTY	DESCRIPTION
1	3406325	1	PL2000 WINCH EXT. ASSY
2	3402440	1	PL1200 WINCH EXT OUTER SUPT
	3402280	1	PL800-PL2000 WINCH EXT. BOB
A	5806243	4	WASHER SPLIT LOCK 3/8 SS
B	5896255	4	HHCS 3/8-16 X 3 SS
C	5896377	4	NUT HEX 3/8-16 SS
D	5896406	4	WASHER FLAT SAE 3/8" SS
E	6408069	1	CAP DIP MOULD .343"IDX1/2"L BLK



Winch Extension Assembly