



STATIONARY DOCK INSTRUCTIONS

OBSOLETE



REIMANN & GEORGER CORPORATION
MARINE PRODUCTS
P/N 6112150

BUFFALO, NY
2/26/01

TABLE OF CONTENTS

CHAPTER	TITLE	PAGE
1	SAFETY	1
1.1	Introduction	1
1.2	Safety Definitions	1
1.3	Equipment Safety Labels.....	1
1.4	Equipment and Personnel Safety.....	1
2	SPECIFICATIONS	3
2.1	Section Data.....	3
3	INSTALLATION AND SETUP	5
3.1	Configuration Guidelines	5
3.2	Pre-Installation Checks.....	5
3.3	General Assembly Instructions.....	6
3.4	Support Post Assembly.....	6
3.5	Cross Tie, Cross Brace & Diagonal Brace Installation	8
3.6	Connecting Hook.....	8
3.7	Starter Section Assembly.....	8
3.8	Middle Section Assembly.....	8
3.9	End Section Assembly.....	8
3.10	“L” Section Assembly	9
3.11	“T” Section Assembly	10
3.12	Setting the Dock in the Water	10
4	INSPECTION AND MAINTENANCE	11
4.1	General Maintenance Rules.....	11
4.2	Annual Inspection.....	11
4.3	Storage Procedure.....	11
5	PARTS LISTS.....	13
5.1	Dock Sections	13
5.2	Dock Starter Section Support Package	13
5.3	Dock Shallow Depth Middle Support Package	13
5.4	Dock Shallow Depth End Section Support Package	13
5.5	Dock Shallow Depth End-Mounted Support Package	13
5.6	Dock Shallow Depth “L” Section Support Package.....	14
5.7	Dock Shallow Depth “T” Section Support Package.....	14
5.8	Dock Medium Depth Middle Section Support Package.....	14
5.9	Dock Medium Depth End Section Support Package.....	14
5.10	Dock Medium Depth End-Mounted Support Package	14
5.11	Dock Medium Depth “L” Section Support Package	14
5.12	Dock Medium Depth “T” Section Support Package	15
5.13	Dock Deep Middle Section Support Package.....	15
5.14	Dock Deep End Section Support Package.....	15
5.15	Dock Deep End-Mounted Support Package.....	15
5.16	Dock Deep “L” Section Support Package	15
5.17	Dock Deep “T” Section Support Package	15
5.18	Dock Diagonal Bag of Bolts.....	16
5.19	Dock Cross Brace Bag of Bolts	16
5.20	Dock Starter Section Carton of Parts.....	16
5.21	Dock Middle Section Carton of Parts.....	17
5.22	Dock End Section Carton of Parts	17
5.23	Dock “L” Section Carton of Parts	18
5.24	Dock “T” Section Carton of Parts	18

FIGURE	DESCRIPTION	PAGE
--------	-------------	------

LIST OF FIGURES

3-1	Typical Dock Configurations	5
3-2	Dock Support Assembly.....	7

1 SAFETY

1.1 INTRODUCTION

Your Reimann & Georger Corporation Marine Products Stationary Dock has been engineered to provide reliable performance, long term economics and safety advantages that no other type can match. However, even a well-designed and well-built dock can malfunction or become hazardous in the hands of an inexperienced and/or untrained user. Therefore, read this manual and related equipment manuals thoroughly before using your dock to provide maximum safety for all personnel, and to get the maximum benefit from your equipment.

1.2 SAFETY DEFINITIONS

A safety message alerts you to potential hazards that could hurt you or others or cause property damage. The safety messages or signal words for product safety signs are **DANGER**, **WARNING**, and **CAUTION**. Each safety message is preceded by a safety alert symbol and is defined as follows:

DANGER: Indicates an imminently hazardous situation which, if not avoided, **will** cause death or serious injury. This safety message is limited to the most extreme situations.

WARNING: Indicates a potentially hazardous situation which, if not avoided, **could** result in death or serious injury.

CAUTION: Indicates a potentially hazardous situation which, if not avoided, **may** result in minor or moderate injury. It may also be used to alert against unsafe practices and property-damage-only accidents.

1.3 EQUIPMENT SAFETY LABELS

These labels warn you of potential hazards that could cause injury. Read them carefully. If a label comes off or becomes illegible, contact a Reimann & Georger Corporation dealer for a free replacement.

1.4 EQUIPMENT AND PERSONNEL SAFETY

1. Do not assemble or use the dock if any part shows any signs of damage.
2. Do not weld or otherwise modify the dock. Such alterations may weaken the structural integrity of the dock and void the warranty.
3. Insure that all bolts and nuts are fastened securely prior to using the dock.
4. Insure that all the assembled frames are level and square.
5. All docking accessories must be commercially manufactured and be properly maintained and installed.
6. Do not install or use the dock under the influence of drugs, alcohol, or medication.
7. The dock is intended to support the weight of people only. Do not place any type of watercraft or any heavy equipment on the dock.
8. Do not leave objects such as boating hardware laying on the dock. These can cause someone to trip and fall into the water.
9. Do not use the dock during an electrical storm.
10. Do not allow anyone to swim or play under, near or on the dock at any time.
11. At least once a year, inspect the dock thoroughly.
12. Immediately replace any components found to be defective.

2 SPECIFICATIONS

2.1 SECTION DATA

Dimensions	4 ft. x 10 ft.
Weight with powder-coated decking	116 lbs.
Weight with premium cedar decking	131 lbs.
Weight without decking	55 lbs.

3 INSTALLATION AND SETUP

The reference numbers shown on Figure 3-2 are the same as those listed in the parts lists of Chapter 5. All references to insets in this chapter are shown on Figure 3-2.

3.1 CONFIGURATION GUIDELINES

1. RGC stationary docks are modular sections that simply bolt together for easy installation or quick dismantling for winter storage. The dock is supported by heavy-wall support posts with foot plates on the bottom. Support posts have cross braces and diagonal braces for maximum stability.
2. The deck should be installed where water depths are less than 8 feet and the water level fluctuation is less than 1 foot during the season.
3. Lay out the general shape of the dock system to fit your needs. The typical configurations are shown in Figure 3-1.

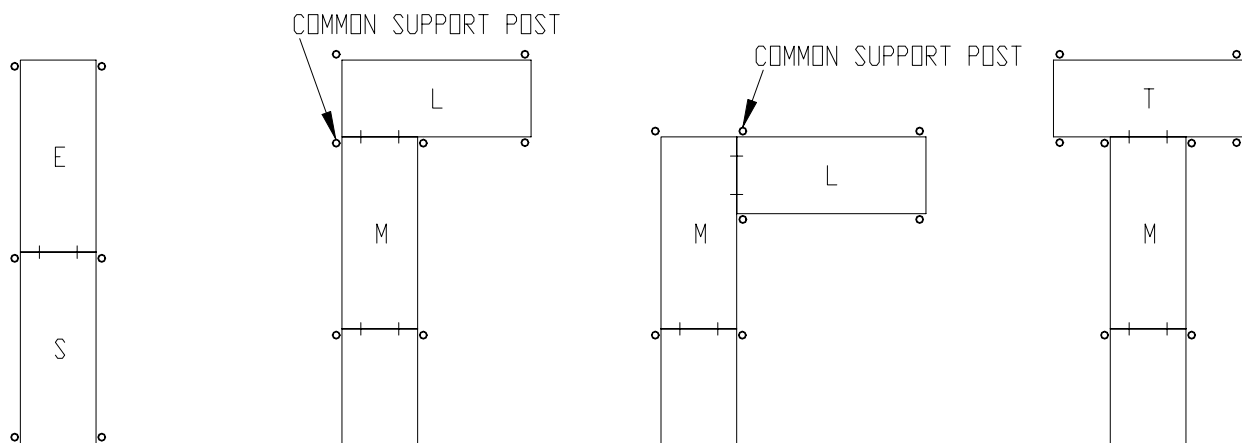


Figure 3-1
Typical Dock Configurations

4. Water depths at the dock site must be known, from the lake bottom to normal summer level. If the lake bottom is really soft, adjust measurement to allow foot plate to reach solid surface.
5. Decide on the freeboard height of the deck, which is the distance from the water to deck surface. The deck must be at least 6 inches higher than the normal wave height. Typical freeboard for a relatively calm lake is 18 inches.
6. Determine the height of each support post (water depth plus desired freeboard) on the layout for configuring the dock system.
7. Common dock configurations are available in preconfigured support packages for various water depths, assuming 18 inches of freeboard.
 - a. If water depth is less than 3-1/2 ft., use a shallow water support package.
 - b. If water depth is between 4 ft. and 5-1/2 ft., use a medium water depth support package.
 - c. If water depth is between 6 ft. and 7-1/2 ft., use a deep water support package.

3.2 PRE-INSTALLATION CHECKS

1. Check the packing list to insure that you have all the parts for the dock configuration you are planning to build. Insure you have the desired type of deck.

2. If any parts are missing or damaged, contact your local supplier or Reimann & Georger Corporation. Do NOT assemble the dock if any part shows any signs of damage.
3. Do not weld or otherwise modify any part of the dock assembly. Such alterations may weaken the structural integrity of the dock and void the warranty.
4. Check water depth every ten feet where each support post will be located.
5. Do not assemble the dock without first reviewing all the safety procedures described in Chapter 1.

3.3 GENERAL ASSEMBLY INSTRUCTIONS

1. The dock section is the same for all configurations. Standard pre-configured support packages vary by water depth, number of support posts and bracing, and connecting hardware.
2. All attachments to the dock frame are made via the slot in the bottom of the dock frame that accommodates square neck carriage bolts. The slot goes around the perimeter of the frame to allow maximum flexibility in the placement of attachments. There are several openings around the perimeter to insert bolt heads. These openings are located six inches from each corner and in the middle of each side.
3. Set the dock frame upside down on either soft level ground or sawhorses to install dock support package.
4. Stainless steel threaded fasteners have a natural tendency to “gall, lock-up, or seize” during assembly and disassembly. Lubricate stainless steel threaded fasteners with a suitable lubricant. Common suitable lubricants contain molybdenum disulfide, graphite, mica, or talc.
5. Assemble and install one dock section at a time.

3.4 SUPPORT POST ASSEMBLY



WARNING:

SUPPORT POSTS GREATER THAN 1-1/2 FEET MUST BE BRACED WITH CROSS BRACING AND DIAGONAL BRACING IN TWO DIRECTIONS.



WARNING:

FAILURE TO APPLY A SUITABLE LUBRICANT TO THE MATING SURFACES OF STAINLESS STEEL THREADED FASTENERS MAY CAUSE GALLING AND/OR SEIZING OF ASSEMBLY.

1. Refer to Figure 3-2, Inset A. Insert two carriage bolts for the support post clamp into the left-hand slot of the dock frame.
2. Attach left-hand support post clamp to the dock frame using carriage bolts, flat washers, and hex nuts. Ensure the edge of the mounting flange is aligned with the edge of the perpendicular (right-angled) slot before locking clamp in place.



CAUTION:

ENSURE SQUARE NECK OF CARRIAGE BOLT IS SEATED IN THE SQUARE HOLE PRIOR TO TIGHTENING NUT.

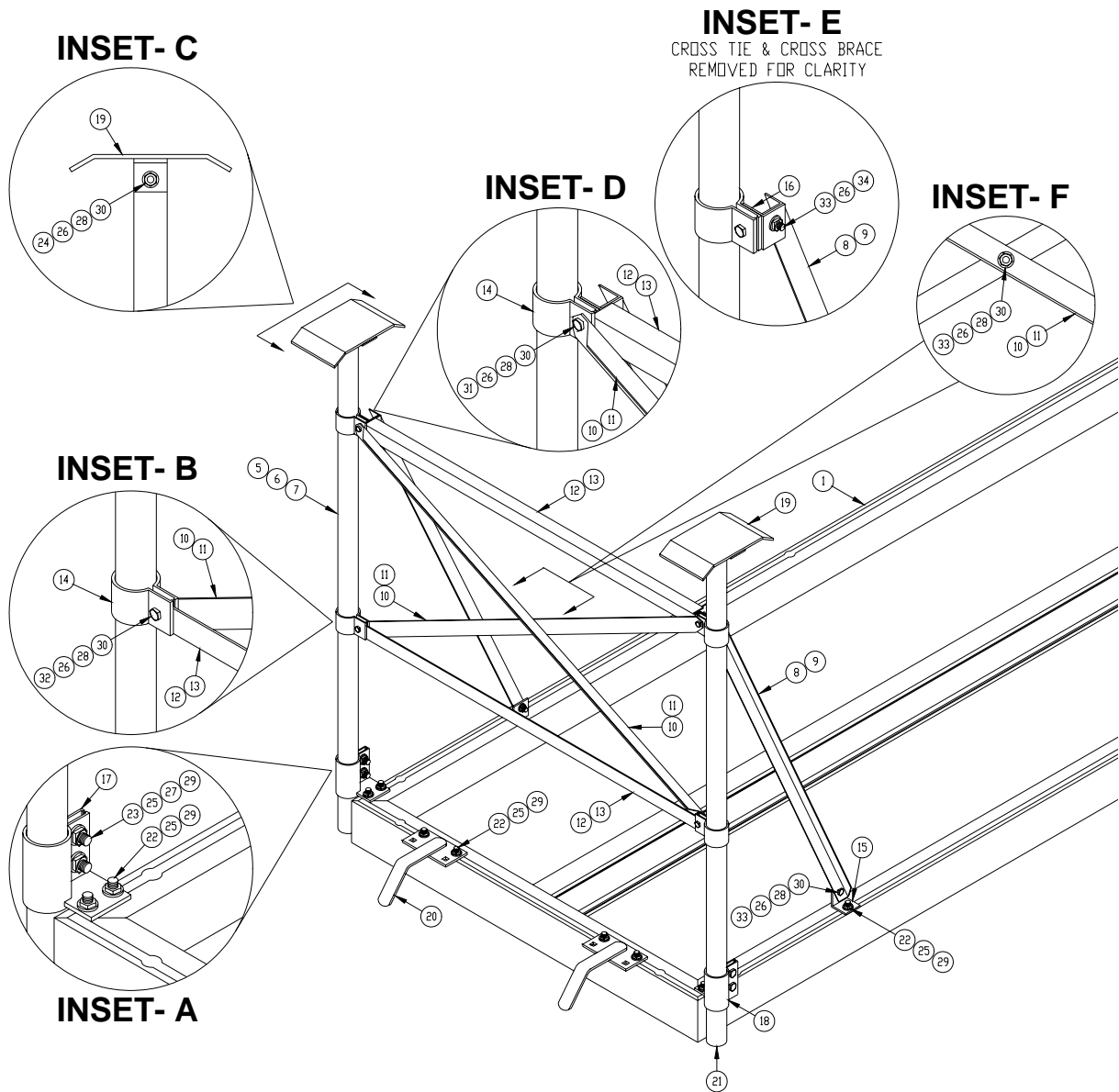


Figure 3-2
Dock Support Assembly
(shown upside down)

3. Loosely install bolts, flat washers, lock washers and hex nuts into support post clamp with the head of the bolt facing outward.
4. Repeat steps 1 through 3 for each support post clamp.
5. Attach foot plate to support post as shown in Inset C. Repeat procedure for all support posts.
6. Insert plastic cap into top of each support post.
7. Slide two brace clamps onto each support post before inserting support post into support post clamp. Note that the 1-1/2 ft. support post does not get any brace clamp or bracing. Four brace clamps are required on common support posts that use two sets of cross braces (used with "L" sections).
8. Adjust support post to proper water depth and the freeboard. Snug one nut and bolt. Final tightening will be done once dock section is in the water and leveled.

3.5 CROSS TIE, CROSS BRACE & DIAGONAL BRACE INSTALLATION

1. Refer to Insets B and D. Install a cross tie between the flanges of the two upper and two lower brace clamps. See Section 3.10 for special instructions when installing bracing to a common support post.
2. Install one cross brace between the upper brace clamp of one support post and the lower brace clamp of the other support post. Place the cross brace on the inner surface of the brace clamp closest to the deck and on the outer surface of the brace clamp closest to the foot plate. Install lower diagonal bracket on inner surface of brace clamp closest to foot plate. See Inset E. Repeat procedure for second cross brace. Bolt cross braces together in the middle as shown in Inset F.
3. Refer to Figure 3-2. Insert a carriage bolt for the upper diagonal bracket into the slot of the dock frame. Install an upper diagonal bracket loosely in place.
4. Install a diagonal brace. Tighten lower locknut connection and back off a quarter turn to allow brace to pivot. Position upper bracket such that the cross tie is ideally 18 inches from the bottom of the dock or at least below the water level. Repeat procedure for second diagonal brace.

3.6 CONNECTING HOOK

1. Insert two carriage bolts into the dock frame slot for each hook.
2. Attach connecting hook approximately 8 inches from the corner using carriage bolt, flat washer and hex nut.

3.7 STARTER SECTION ASSEMBLY

1. Refer to Figure 3-2. Install ramp pivot supports if applicable.
2. Refer to Section 3.4. Install two 1-1/2 ft. support posts on shore-end and two 5-ft. support posts on opposite end.
3. Refer to Section 3.5. Install cross brace set and two diagonal braces on 5 ft. support posts.
4. Refer to Section 3.6. Install connecting hook.
5. Refer to Section 3.12. Install dock section in the water.

3.8 MIDDLE SECTION ASSEMBLY

1. Refer to Figure 3.2. Install two appropriate depth support posts. Refer to Section 3.4. for details.
2. Refer to Section 3.5. Install applicable cross brace set and two diagonal braces on support posts.
3. Refer to Section 3.6. Install connecting hook.
4. Insert two carriage bolts into the dock frame slot for attachment to other dock section connecting hook.
5. Refer to Section 3.12. Install dock section in the water.

3.9 END SECTION ASSEMBLY

1. The support posts can be mounted either on the side of the dock section or on the end of the section with the appropriate support package. See Inset A. Install two appropriate depth support posts. Refer to Section 3.4. for details.
2. Refer to Section 3.5. Install applicable cross brace set and two diagonal braces on support posts.
3. Insert two carriage bolts into the dock frame slot for attachment to other dock section connecting hook.
4. Refer to Section 3.12. Install dock section in the water.

3.10 "L" SECTION ASSEMBLY

1. Refer to Figure 3-1. The "L" section and the adjacent middle section can be more easily assembled together on land due to the common support post.
2. Set the two sections together in the desired "L" configuration. Install connecting hooks to attach the two sections.
3. Install support post clamps on both sections as shown in Figure 3-2, Inset A. Loosely install the support post clamp on the outside corner of the "L" section.
4. Loosely install bolts, flat washers, lock washers and hex nuts into each support post clamp with the bolt head facing outward.
5. Attach foot plate and insert plastic cap into top of each support post
6. Slide four brace clamps onto the common support post before inserting it into the support post clamp on the outside edge of the middle section. Slide two brace clamps onto the other support posts before inserting them into the remaining support post clamps.
7. Adjust support posts to proper water depth and freeboard. Snug one nut and bolt. Final tightening will be done once dock section is in the water and leveled.
8. Install the upper cross tie on the middle section between the two top brace clamps. Install the upper cross tie on the "L" section between the second from the top clamp brace on the common support post and the top clamp brace on the "L" section. Install the lower cross tie on the middle section between the second from bottom brace clamp on the common support post and the lower brace clamp. Install the lower cross tie on the "L" section between the two lowest brace clamps.
9. Install one cross brace on the middle section between the upper brace clamp of one support post and the lower brace clamp of the other support post. Place the cross brace on the inner surface of the brace clamp closest to the deck and on the outer surface of the brace clamp closest to the foot plate. Install a lower diagonal bracket on inner surface of brace clamp closest to foot plate. Repeat procedure for second middle section cross brace. Bolt cross braces together in the middle.
10. Install one cross brace on the "L" section between the upper brace clamp of one support post and the lower brace clamp of the other support post. Place the cross brace on the inner surface of the brace clamp closest to the deck and on the outer surface of the brace clamp closest to the foot plate. Install lower diagonal bracket on inner surface of brace clamp closest to foot plate. Repeat procedure for "L" section cross brace. Bolt cross braces together in the middle.
11. Once the cross bracing is installed between the "L" section and the common support post, the mounting of the support post clamp on the outside corner of the "L" section can be secured in place. (Refer to Step 3.)
12. Insert a carriage bolt for each upper diagonal bracket into the slot of the dock frame. Install an upper diagonal bracket loosely in place for each support post.
13. Install a diagonal brace for each support post. Tighten lower locknut connection and back off a quarter turn to allow brace to pivot. Position upper bracket such that the cross tie is ideally 18 inches from the bottom of the dock or at least below the water level. Repeat procedure for second diagonal brace.
14. Refer to Section 3.5. Install applicable cross brace set and two diagonal braces on the other "L" section support posts.
15. Insert two carriage bolts into the middle section dock frame slot for attachment to other dock section connecting hook.
16. If adding another section, use a middle section with a connecting hook. Install connecting hook (from middle section), referring to Section 3.6.
17. Refer to Section 3.12. Install dock section in the water.

3.11 "T" SECTION ASSEMBLY

1. Refer to Figure 3-2. Install four appropriate depth support posts in each corner. Refer to Section 3.4. for details.
2. Refer to Section 3.5. Install applicable two cross brace sets and four diagonal braces on support posts.
3. Insert two carriage bolts into the dock frame slot for attachment to other dock section connecting hook.
4. If adding another section, use a middle section with a connecting hook. Install connecting hook (from middle section), referring to Section 3.6.
5. Refer to Section 3.12. Install dock section in the water.

3.12 SETTING THE DOCK IN THE WATER



WARNING:

THE DOCK MUST BE LEVEL. AN UNLEVEL DOCK INSTALLATION MAY AFFECT THE STRUCTURAL INTEGRITY AND MAY CAUSE BINDING RESULTING IN DIFFICULT DOCK INSTALLATION.



CAUTION:

DO NOT INSTALL THE DOCK SECTION IN ROUGH WATER CONDITIONS.

1. Set the dock in place. If attaching to another section, the connecting hook can help guide it into place.
2. Level the starter section with the desired freeboard. Level additional sections with previous section.
3. Attach sections together using connecting hook, carriage bolts, flat washers, and hex nuts.
4. Tighten support clamps to 45 ft-lbs., or until gap is closed.
5. Insure upper cross tie is underwater.
6. Secure upper diagonal bracket in place.

4 INSPECTION AND MAINTENANCE

4.1 GENERAL MAINTENANCE RULES

1. Do not allow persons other than authorized service personnel to repair this equipment.
2. Do not weld or otherwise modify the dock. Such alterations may weaken the structural integrity of the dock and invalidate your warranty.

4.2 ANNUAL INSPECTION

At least once a year, the dock must be thoroughly inspected.



WARNING:

DO NOT ALLOW ANYBODY TO USE THE DOCK UNTIL THIS MAINTENANCE IS COMPLETED.

1. Ensure all bolts are tight.
2. Check frame thoroughly for defects.

4.3 STORAGE PROCEDURE

1. Remove the dock before the water freezes.
2. Store the dock away from the edge of the water to prevent ice damage.

5 PARTS LISTS

Each reference number in the following parts lists can be matched with the reference number in both the text and illustrations of Chapter 3, Installation and Setup.

5.1 DOCK SECTIONS

REF #	PART #	QTY	DESCRIPTION
1	4001100	1	4 FT. DOCK FRAME FOR WOOD DECK WITH NO DECK
2	4001130	1	4 FT. DOCK WITH PREMIUM CEDAR DECKING
3	4001200	1	4 FT. DOCK WITH POWDER COATED ALUMINUM DECKING

5.2 #4002100 DOCK STARTER SECTION SUPPORT PACKAGE

REF #	PART #	QTY	DESCRIPTION
4	4002110	2	SUPPORT POST 1-1/2 FT.
5	4002210	2	SUPPORT POST 5 FT.
8	4002206	2	DIAGONAL BRACE—SHALLOW DEPTH
10	4002207	2	DOCK CROSS BRACE 51-7/8"
12	4002213	2	DOCK CROSS TIE 47-1/2"
	4002510	1	STARTER SECTION CARTON OF PARTS

5.3 #4002200 DOCK SHALLOW DEPTH MIDDLE SUPPORT PACKAGE

REF #	PART #	QTY	DESCRIPTION
5	4002210	2	SUPPORT POST 5 FT.
8	4002206	2	DIAGONAL BRACE—SHALLOW DEPTH
10	4002207	2	DOCK CROSS BRACE 51-7/8"
12	4002213	2	DOCK CROSS TIE 47-1/2"
	4002520	1	MIDDLE SECTION CARTON OF PARTS

5.4 #4002230 DOCK SHALLOW DEPTH END SECTION SUPPORT PACKAGE

REF #	PART #	QTY	DESCRIPTION
5	4002210	2	SUPPORT POST 5 FT.
8	4002206	2	DIAGONAL BRACE—SHALLOW DEPTH
10	4002207	2	DOCK CROSS BRACE 51-7/8"
12	4002213	2	DOCK CROSS TIE 47-1/2"
	4002530	1	END SECTION CARTON OF PARTS

5.5 #4002235 DOCK SHALLOW DEPTH END-MOUNTED SUPPORT PACKAGE

REF #	PART #	QTY	DESCRIPTION
5	4002210	2	SUPPORT POST 5 FT.
8	4002206	2	DIAGONAL BRACE—SHALLOW DEPTH
10	4002207	2	DOCK CROSS BRACE 51-7/8"
13	4002214	2	DOCK CROSS TIE 42-1/2"
	4002530	1	END SECTION CARTON OF PARTS

5.6 #4002240 DOCK SHALLOW DEPTH "L" SECTION SUPPORT PACKAGE

REF #	PART #	QTY	DESCRIPTION
5	4002210	3	SUPPORT POST 5 FT.
8	4002206	3	DIAGONAL BRACE—SHALLOW DEPTH
10	4002207	4	DOCK CROSS BRACE 51-7/8"
12	4002213	4	DOCK CROSS TIE 47-1/2"
	4002540	1	"L" SECTION CARTON OF PARTS

5.7 #4002250 DOCK SHALLOW DEPTH "T" SECTION SUPPORT PACKAGE

REF #	PART #	QTY	DESCRIPTION
5	4002210	4	SUPPORT POST 5 FT.
8	4002206	4	DIAGONAL BRACE—SHALLOW DEPTH
10	4002207	4	DOCK CROSS BRACE 51-7/8"
12	4002213	4	DOCK CROSS TIE 47-1/2"
	4002550	1	"T" SECTION CARTON OF PARTS

5.8 #4002300 DOCK MEDIUM DEPTH MIDDLE SECTION SUPPORT PACKAGE

REF #	PART #	QTY	DESCRIPTION
6	4002310	2	SUPPORT POST 7 FT.
9	4002306	2	DIAGONAL BRACE—MEDIUM & DEEP
11	4002307	2	DOCK CROSS BRACE 58-3/8"
12	4002213	2	DOCK CROSS TIE 47-1/2"
	4002520	1	MIDDLE SECTION CARTON OF PARTS

5.9 #4002330 DOCK MEDIUM DEPTH END SECTION SUPPORT PACKAGE

REF #	PART #	QTY	DESCRIPTION
6	4002310	2	SUPPORT POST 7 FT.
9	4002306	2	DIAGONAL BRACE—MEDIUM & DEEP
11	4002307	2	DOCK CROSS BRACE 58-3/8"
12	4002213	2	DOCK CROSS TIE 47-1/2"
	4002530	1	END SECTION CARTON OF PARTS

5.10 #4002335 DOCK MEDIUM DEPTH END-MOUNTED SUPPORT PACKAGE

REF #	PART #	QTY	DESCRIPTION
6	4002310	2	SUPPORT POST 7 FT.
9	4002306	2	DIAGONAL BRACE—MEDIUM & DEEP
11	4002307	2	DOCK CROSS BRACE 58-3/8"
13	4002214	2	DOCK CROSS TIE 42-1/2"
	4002530	1	END SECTION CARTON OF PARTS

5.11 #4002340 DOCK MEDIUM DEPTH "L" SECTION SUPPORT PACKAGE

REF #	PART #	QTY	DESCRIPTION
6	4002310	3	SUPPORT POST 7 FT.
9	4002306	3	DIAGONAL BRACE—MEDIUM & DEEP
11	4002307	4	DOCK CROSS BRACE 58-3/8"
12	4002213	4	DOCK CROSS TIE 47-1/2"
	4002540	1	"L" SECTION CARTON OF PARTS

5.12 #4002350 DOCK MEDIUM DEPTH "T" SECTION SUPPORT PACKAGE

REF #	PART #	QTY	DESCRIPTION
6	4002310	4	SUPPORT POST 7 FT.
9	4002306	4	DIAGONAL BRACE—MEDIUM & DEEP
11	4002307	4	DOCK CROSS BRACE 58-3/8"
12	4002213	4	DOCK CROSS TIE 47-1/2"
	4002550	1	"T" SECTION CARTON OF PARTS

5.13 #4002400 DOCK DEEP MIDDLE SECTION SUPPORT PACKAGE

REF #	PART #	QTY	DESCRIPTION
7	4002410	2	SUPPORT POST 9 FT.
9	4002306	2	DIAGONAL BRACE—MEDIUM & DEEP
11	4002307	2	DOCK CROSS BRACE 58-3/8"
12	4002213	2	DOCK CROSS TIE 47-1/2"
	4002520	1	MIDDLE SECTION CARTON OF PARTS

5.14 #4002430 DOCK DEEP END SECTION SUPPORT PACKAGE

REF #	PART #	QTY	DESCRIPTION
7	4002410	2	SUPPORT POST 9 FT.
9	4002306	2	DIAGONAL BRACE—MEDIUM & DEEP
11	4002307	2	DOCK CROSS BRACE 58-3/8"
12	4002213	2	DOCK CROSS TIE 47-1/2"
	4002530	1	END SECTION CARTON OF PARTS

5.15 #4002435 DOCK DEEP END-MOUNTED SUPPORT PACKAGE

REF #	PART #	QTY	DESCRIPTION
7	4002410	2	SUPPORT POST 9 FT.
9	4002306	2	DIAGONAL BRACE—MEDIUM & DEEP
11	4002307	2	DOCK CROSS BRACE 58-3/8"
13	4002214	2	DOCK CROSS TIE 42-1/2"
	4002530	1	END SECTION CARTON OF PARTS

5.16 #4002440 DOCK DEEP "L" SECTION SUPPORT PACKAGE

REF #	PART #	QTY	DESCRIPTION
7	4002410	3	SUPPORT POST 9 FT.
9	4002306	3	DIAGONAL BRACE—MEDIUM & DEEP
11	4002307	4	DOCK CROSS BRACE 58-3/8"
12	4002213	4	DOCK CROSS TIE 47-1/2"
	4002540	1	"L" SECTION CARTON OF PARTS

5.17 #4002450 DOCK DEEP "T" SECTION SUPPORT PACKAGE

REF #	PART #	QTY	DESCRIPTION
7	4002410	4	SUPPORT POST 9 FT.
9	4002306	4	DIAGONAL BRACE—MEDIUM & DEEP
10	4002207	4	DOCK CROSS BRACE 51-7/8"
12	4002213	4	DOCK CROSS TIE 47-1/2"
	4002550	1	"T" SECTION CARTON OF PARTS

5.18 #4002222 DOCK DIAGONAL BAG OF BOLTS

REF #	PART #	QTY	DESCRIPTION
22	5892505	1	CARRIAGE BOLT 1/2-13 X 1 SS
33	5896247	2	HHCS 3/8-16 X 1 SS
25	5896400	1	WASHER 1/2" SAE SS
26	5896406	2	WASHER 3/8" SAE SS
28	5806243	1	WASHER SPLIT LOCK 3/8 SS
29	5896379	1	HEX NUT 1/2-13 SS
30	5896377	1	HEX NUT 3/8-16 SS
34	5897016	1	LOCK NUT 3/8-16 SS

5.19 #4002223 DOCK CROSS BRACE BAG OF BOLTS

REF #	PART #	QTY	DESCRIPTION
31	5896249	2	HHCS 3/8-16 X 1-1/2 SS
32	5896248	2	HHCS 3/8-16 X 1-1/4 SS
33	5896247	1	HHCS 3/8-16 X 1 SS
26	5896406	5	WASHER 3/8" SAE SS
28	5806243	5	WASHER SPLIT LOCK 3/8 SS
30	5896377	5	HEX NUT 3/8-16 SS

5.20 #4002510 DOCK STARTER SECTION CARTON OF PARTS

REF #	PART #	QTY	DESCRIPTION
14	4002203	4	BRACE CLAMP
15	4002204	2	UPPER DIAGONAL BRACKET
16	4002205	2	LOWER DIAGONAL BRACKET
17	4002201	2	LEFT HAND SUPPORT POST CLAMP
18	4002202	2	RIGHT HAND SUPPORT POST CLAMP
19	4002208	4	DOCK FOOT PLATE
20	4002010	2	DOCK CONNECTING HOOK
21	6403712	4	PLASTIC CAP 2" OD X 1/8W
	4002222	2	DIAGONAL BRACE BAG OF BOLTS
	4002223	1	DOCK CROSS BRACE BAG OF BOLTS
	4002511	1	DOCK STARTER SECTION BAG OF BOLTS consisting of:
22	5892505	16	CARRIAGE BOLT 1/2-13 X 1 SS
23	5896281	8	HHCS 1/2-13 X 1-1/4 SS
24	5896255	4	HHCS 3/8-16 X 3 SS
25	5896400	24	WASHER 1/2" SAE SS
26	5896406	4	WASHER 3/8" SAE SS
27	5806244	8	WASHER SPLIT LOCK 1/2 SS
28	5806243	4	WASHER SPLIT LOCK 3/8 SS
29	5896379	24	HEX NUT 1/2-13 SS
30	5896377	4	HEX NUT 3/8-16 SS

5.21 #4002520 DOCK MIDDLE SECTION CARTON OF PARTS

REF #	PART #	QTY	DESCRIPTION
14	4002203	4	BRACE CLAMP
15	4002204	2	UPPER DIAGONAL BRACKET
16	4002205	2	LOWER DIAGONAL BRACKET
17	4002201	1	LEFT HAND SUPPORT POST CLAMP
18	4002202	1	RIGHT HAND SUPPORT POST CLAMP
19	4002208	2	DOCK FOOT PLATE
20	4002010	2	DOCK CONNECTING HOOK
21	6403712	2	PLASTIC CAP 2" OD X 1/8 W
	4002222	2	DIAGONAL BRACE BAG OF BOLTS
	4002223	1	DOCK CROSS BRACE BAG OF BOLTS
	4002521	1	DOCK MIDDLE SECTION BAG OF BOLTS consisting of:
22	5892505	12	CARRIAGE BOLT 1/2-13 X 1 SS
23	5896281	4	HHCS 1/2-13 X 1-1/4 SS
24	5896255	2	HHCS 3/8-16 X 3 SS
25	5896400	16	WASHER 1/2" SAE SS
26	5896406	2	WASHER 3/8" SAE SS
27	5806244	4	WASHER SPLIT LOCK 1/2 SS
28	5806243	2	WASHER SPLIT LOCK 3/8 SS
29	5896379	16	HEX NUT 1/2-13 SS
30	5896377	2	HEX NUT 3/8-16 SS

5.22 #4002530 DOCK END SECTION CARTON OF PARTS

REF #	PART #	QTY	DESCRIPTION
14	4002203	4	BRACE CLAMP
15	4002204	2	UPPER DIAGONAL BRACKET
16	4002205	2	LOWER DIAGONAL BRACKET
17	4002201	1	LEFT HAND SUPPORT POST CLAMP
18	4002202	1	RIGHT HAND SUPPORT POST CLAMP
19	4002208	2	DOCK FOOT PLATE
21	6403712	2	PLASTIC CAP 2" OD X 1/8 W
	4002222	2	DIAGONAL BRACE BAG OF BOLTS
	4002223	1	DOCK CROSS BRACE BAG OF BOLTS
	4002531	1	DOCK END SECTION BAG OF BOLTS consisting of:
22	5892505	4	CARRIAGE BOLT 1/2-13 X 1 SS
23	5896281	4	HHCS 1/2-13 X 1-1/4 SS
24	5896255	2	HHCS 3/8-16 X 3 SS
25	5896400	8	WASHER 1/2" SAE SS
26	5896406	2	WASHER 3/8" SAE SS
27	5806244	4	WASHER SPLIT LOCK 1/2 SS
28	5806243	2	WASHER SPLIT LOCK 3/8 SS
29	5896379	8	HEX NUT 1/2-13 SS
30	5896377	2	HEX NUT 3/8-16 SS

5.23 #4002540 DOCK “L” SECTION CARTON OF PARTS

REF #	PART #	QTY	DESCRIPTION
14	4002203	8	BRACE CLAMP
15	4002204	3	UPPER DIAGONAL BRACKET
16	4002205	3	LOWER DIAGONAL BRACKET
17	4002201	2	LEFT HAND SUPPORT POST CLAMP
18	4002202	1	RIGHT HAND SUPPORT POST CLAMP
19	4002208	3	DOCK FOOT PLATE
21	6403712	3	PLASTIC CAP 2” OD X 1/8 W
	4002222	3	DIAGONAL BRACE BAG OF BOLTS
	4002223	2	DOCK CROSS BRACE BAG OF BOLTS
	4002541	1	DOCK “L” SECTION BAG OF BOLTS consisting of:
22	5892505	6	CARRIAGE BOLT 1/2-13 X 1 SS
23	5896281	6	HHCS 1/2-13 X 1-1/4 SS
24	5896255	3	HHCS 3/8-16 X 3 SS
25	5896400	12	WASHER 1/2” SAE SS
26	5896406	3	WASHER 3/8” SAE SS
27	5806244	6	WASHER SPLIT LOCK 1/2 SS
28	5806243	3	WASHER SPLIT LOCK 3/8 SS
29	5896379	12	HEX NUT 1/2-13 SS
30	5896377	3	HEX NUT 3/8-16 SS

5.24 #4002550 DOCK “T” SECTION CARTON OF PARTS

REF #	PART #	QTY	DESCRIPTION
14	4002203	8	BRACE CLAMP
15	4002204	4	UPPER DIAGONAL BRACKET
16	4002205	4	LOWER DIAGONAL BRACKET
17	4002201	2	LEFT HAND SUPPORT POST CLAMP
18	4002202	2	RIGHT HAND SUPPORT POST CLAMP
19	4002208	4	DOCK FOOT PLATE
21	6403712	4	PLASTIC CAP 2” OD X 1/8 W
	4002222	4	DIAGONAL BRACE BAG OF BOLTS
	4002223	2	DOCK CROSS BRACE BAG OF BOLTS
	4002551	1	DOCK “T” SECTION BAG OF BOLTS consisting of:
22	5892505	8	CARRIAGE BOLT 1/2-13 X 1 SS
23	5896281	8	HHCS 1/2-13 X 1-1/4 SS
24	5896255	4	HHCS 3/8-16 X 3 SS
25	5896400	16	WASHER 1/2” SAE SS
26	5896406	4	WASHER 3/8” SAE SS
27	5806244	8	WASHER SPLIT LOCK 1/2 SS
28	5806243	4	WASHER SPLIT LOCK 3/8 SS
29	5896379	16	HEX NUT 1/2-13 SS
30	5896377	4	HEX NUT 3/8-16 SS

LIMITED PRODUCT WARRANTY

Reimann & Georger Corporation Marine Products

RGC Marine products, hereafter referred to as the “Manufacturer”, extends this limited warranty to the original purchaser of this product. The original purchaser, hereinafter referred to as the “Buyer”, is defined as the first legal owner of this product other than an authorized distributor or dealer who has bought the product from the Manufacturer for resale to the public. **The Buyer must complete and return the Warranty Registration section of the provided Warranty Card to make this limited warranty effective.**

CONSUMER PRODUCT PROVISIONS

I. ARTICLE I—CONSUMER PRODUCT PROVISIONS: THE FOLLOWING PROVISIONS SHALL BE APPLICABLE IF THIS PRODUCT IS BEING PURCHASED FOR PERSONAL, FAMILY OR HOUSEHOLD PURPOSES.

THE CONSUMER PRODUCT PROVISIONS CONTAINED IN THIS ARTICLE I SHALL APPLY UNLESS THIS PRODUCT IS BEING PURCHASED SOLELY FOR COMMERCIAL OR INDUSTRIAL USE, IN WHICH EVENT THE PROVISIONS CONTAINED IN ARTICLE II BELOW SHALL APPLY AND THE PROVISIONS CONTAINED IN THIS ARTICLE I SHALL BE INAPPLICABLE.

A. 1-YEAR LIMITED WARRANTY

The Manufacturer warrants to the Buyer that the decking shall be free of defects in material and workmanship for a period of one (1) year from date of original purchase. This limited warranty covers the cost of all parts and labor needed to repair any item that is found to be defective in material and workmanship. This warranty does not cover wear and tear, discoloration (fading), scratches, or dents associated with powder coated decking; nor does this warranty cover splitting, checking, warping, or discoloration associated with cedar decking.

B. 15-YEAR LIMITED WARRANTY ON DOCK ALUMINUM FRAME EXTRUSION

The Manufacturer warrants to the Buyer that the frame and extrusions shall be free of defects in material and workmanship for a period of fifteen (15) years from date of original purchase. This limited warranty covers the cost of all parts and labor needed to repair any item that is found to be defective in material and workmanship.

C. MANUFACTURER’S OBLIGATIONS

The Manufacturer’s sole obligation under either of these limited warranties is the replacement or repair, at the Manufacturer’s discretion, of parts found to be defective.

D. NO SPECIAL, INCIDENTAL OR CONSEQUENTIAL DAMAGES

IN NO EVENT SHALL THE MANUFACTURER BE LIABLE TO THE BUYER OR ANY PERSON FOR ANY INDIRECT, SPECIAL, INCIDENTAL, OR CONSEQUENTIAL LOSSES OR DAMAGES CONNECTED WITH THE USE OF THE PRODUCT UNDER WARRANTY. SUCH DAMAGES FOR WHICH THE MANUFACTURER SHALL NOT BE RESPONSIBLE INCLUDE, BUT ARE NOT LIMITED TO, LOST TIME AND CONVENIENCE, LOSS OF USE OF THE PRODUCT, THE COST OF A PRODUCT RENTAL, COSTS OF GASOLINE, TELEPHONE, TRAVEL, OR LODGING, THE LOSS OF PERSONAL OR COMMERCIAL PROPERTY, AND THE LOSS OF REVENUE.

Some States do not allow the exclusion or limitation of incidental or consequential damages, so the above limitation or exclusion may not apply to you.

E. NO LIABILITY IN EXCESS OF PURCHASE PRICE

IN NO EVENT SHALL THE MANUFACTURER'S OBLIGATIONS UNDER THIS LIMITED WARRANTY EXCEED THE PURCHASE PRICE OF THE PRODUCT.

F. NO EXTENSION OF STATUTE OF LIMITATIONS

ANY REPAIRS PERFORMED UNDER EITHER OF THESE WARRANTIES SHALL NOT IN ANY WAY EXTEND THE ONE-YEAR AND FIFTEEN-YEAR STATUTES OF LIMITATIONS CONTAINED IN THIS LIMITED WARRANTY.

G. PROCEDURE FOR WARRANTY PERFORMANCE

If the product fails to perform to the Manufacturer's specifications, the Buyer must contact the dealer from whom the product was purchased. The Buyer must provide the dealer with the applicable model and serial numbers, the date of purchase, and the nature of the problem.

H. PREAPPROVAL OF LABOR COSTS

All labor costs related to a dealer's performance of the warranty obligations under this limited warranty must be pre-approved by Reimann & Georger Corp. Marine Products.

I. NO OTHER EXPRESS WARRANTIES

THE MANUFACTURER IS NOT SUBJECT TO ANY EXPRESS WARRANTIES OTHER THAN THOSE SET FORTH ABOVE.

J. LIMIT ON DURATION OF IMPLIED WARRANTIES

THE DURATION OF ANY IMPLIED WARRANTIES UNDER APPLICABLE STATE LAW RELATING TO THE PURCHASE OF THIS PRODUCT SHALL BE LIMITED TO A PERIOD OF ONE (1) YEAR FROM THE DATE OF PURCHASE.

Some States do not allow limitations on how long an implied warranty lasts, so the above limitations may not apply to you.

K. QUESTIONS REGARDING LIMITED WARRANTY

Any questions regarding this limited warranty or the procedure which the consumer should follow in order to obtain performance of any warranty obligation may be addressed to either the dealer from whom this product is purchased or to Reimann & Georger Corp. Marine Products, P.O. Box 681, Buffalo, NY 14240.

L. EXCLUSIONS FROM LIMITED WARRANTY. THIS LIMITED WARRANTY DOES NOT COVER ANY OF THE FOLLOWING:

1. Equipment which has been abused, damaged, used beyond rated capacity, or which is damaged or has defects caused by repairs or service completed by persons other than authorized service personnel.
2. Costs of repairing damage caused by environmental factors which include, but are not limited to, airborne fallout, chemicals, tree sap, salt, ocean spray, and water hazards.
3. Damage caused by acts of God which include, but are not limited to, hailstorms, windstorms, tornadoes, sandstorms, lightning, floods, and earthquakes.
4. Damage under conditions caused by fire or accident, by abuse or negligence, by improper installation, by misuse, by incorrect operation, by "normal wear and tear", by improper adjustment or alteration, by alterations not done by the Manufacturer, or by failure of product parts from such alterations.

5. Costs of repairing damage caused by poor or improper maintenance, costs of normally scheduled maintenance, or the cost of replacing any parts unless done as the result of a repair covered by your one-year limited warranty.
6. Costs of modifying the product in any way once delivered to the Buyer, even if such modifications were added as a production change on other products made after the Buyer's product was built.

M. RIGHT TO MODIFY PRODUCT

The Manufacturer has the right to modify this product at any time without incurring any obligation to make the same or similar modifications on products previously purchased.

N. NO AUTHORITY TO ALTER WARRANTY

No agent, representative, distributor or dealer has any authority to alter the terms of this warranty in any way.

O. SPECIFIC LEGAL RIGHTS

This warranty gives you specific legal rights and you may also have other rights which vary from State to State.

COMMERCIAL PRODUCT PROVISIONS

II. ARTICLE II—COMMERCIAL PRODUCT PROVISIONS: THE FOLLOWING PROVISIONS SHALL BE APPLICABLE ONLY IF THIS PRODUCT IS BEING PURCHASED SOLELY FOR COMMERCIAL OR INDUSTRIAL USE. IF THIS PRODUCT IS BEING PURCHASED FOR PERSONAL, FAMILY OR HOUSEHOLD PURPOSES, THE PROVISIONS CONTAINED IN THIS ARTICLE II SHALL NOT BE APPLICABLE AND THE PROVISIONS CONTAINED IN ARTICLE I ABOVE SHALL APPLY.

A. 1-YEAR LIMITED WARRANTY

The Manufacturer warrants to the Buyer that the decking shall be free of defects in material and workmanship for a period of one (1) year from date of original purchase. This limited warranty covers the cost of all parts and labor needed to repair any item that is found to be defective in material and workmanship. This warranty does not cover wear and tear, discoloration (fading), scratches, or dents associated with powder coated decking; nor does this warranty cover splitting, checking, warping, or discoloration associated with cedar decking.

B. 5-YEAR LIMITED WARRANTY ON DOCK ALUMINUM FRAME EXTRUSION

The Manufacturer warrants to the Buyer that the frame and extrusions shall be free of defects in material and workmanship for a period of five (5) years from date of original purchase. This limited warranty covers the cost of all parts and labor needed to repair any item that is found to be defective in material and workmanship.

C. MANUFACTURER'S OBLIGATIONS

The Manufacturer's sole obligation under either of these limited warranties is the replacement or repair, at the Manufacturer's discretion, of parts found to be defective.

D. NO SPECIAL, INCIDENTAL, OR CONSEQUENTIAL DAMAGES

IN NO EVENT SHALL THE MANUFACTURER BE LIABLE TO THE BUYER OR ANY PERSON FOR ANY INDIRECT, SPECIAL, INCIDENTAL, OR CONSEQUENTIAL LOSSES OR DAMAGES CONNECTED WITH THE USE OF THE PRODUCT UNDER WARRANTY. SUCH DAMAGES FOR WHICH THE MANUFACTURER SHALL NOT BE RESPONSIBLE INCLUDE, BUT ARE NOT LIMITED TO, LOST TIME AND CONVENIENCE, LOSS OF USE OF THE PRODUCT, THE COST OF A PRODUCT RENTAL, COSTS OF GASOLINE, TELEPHONE, TRAVEL, OR LODGING, THE LOSS OF PERSONAL OR COMMERCIAL PROPERTY, AND THE LOSS OF REVENUE.

E. NO LIABILITY IN EXCESS OF PURCHASE PRICE

IN NO EVENT SHALL THE MANUFACTURER'S OBLIGATIONS UNDER THIS LIMITED WARRANTY EXCEED THE PURCHASE PRICE OF THE PRODUCT.

F. NO EXTENSION OF STATUTE OF LIMITATIONS

ANY REPAIRS PERFORMED UNDER EITHER OF THESE WARRANTIES SHALL NOT IN ANY WAY EXTEND THE RESPECTIVE STATUTES OF LIMITATIONS CONTAINED IN THIS LIMITED WARRANTY.

G. WAIVER OF OTHER WARRANTIES

THESE EXPRESS WARRANTIES ARE IN LIEU OF AND EXCLUDE ANY AND ALL OTHER WARRANTIES, EXPRESS OR IMPLIED, INCLUDING, BUT NOT LIMITED TO, THE IMPLIED WARRANTIES OR MERCHANTABILITY AND FITNESS FOR A PARTICULAR PURPOSE.

H. PROCEDURE FOR WARRANTY PERFORMANCE

If the product fails to perform to the Manufacturer's specifications, the Buyer must contact the dealer from whom the product was purchased. The Buyer must provide the dealer with the applicable model and serial numbers, the date of purchase, and the nature of the problem.

I. PREAPPROVAL OF LABOR COSTS

All labor costs related to a dealer's performance of the warranty obligations under this limited warranty must be pre-approved by Reimann & Georger Corp. Marine Products.

J. EXCLUSIONS FROM WARRANTY. THIS LIMITED WARRANTY DOES NOT COVER ANY OF THE FOLLOWING:

1. Equipment which has been abused, damaged, used beyond rated capacity, or which is damaged or has defects caused by repairs or service completed by persons other than authorized service personnel.
2. Costs of repairing damage caused by environmental factors which include, but are not limited to, airborne fallout, chemicals, tree sap, salt, ocean spray, and water hazards.
3. Damage caused by acts of God which include, but are not limited to, hailstorms, windstorms, tornadoes, sandstorms, lightning, floods, and earthquakes.
4. Damage under conditions caused by fire or accident, by abuse or negligence, by improper installation, by misuse, by incorrect operation, by "normal wear and tear", by improper adjustment or alteration, by alterations not done by the Manufacturer, or by failure of product parts from such alterations.
5. Costs of repairing damage caused by poor or improper maintenance, costs of normally scheduled maintenance, or the cost of replacing any parts unless done as the result of a repair covered by your one-year limited warranty.
6. Costs of modifying the product in any way once delivered to the Buyer, even if such modifications were added as a production change on other products made after the Buyer's product was built.

K. RIGHT TO MODIFY PRODUCT

The Manufacturer has the right to modify this product at any time without incurring any obligation to make the same or similar modifications on products previously purchased.

L. NO AUTHORITY TO ALTER WARRANTY

No agent, representative, distributor, or dealer has any authority to alter the terms of this warranty in any way.

M. SPECIFIC LEGAL RIGHTS

This warranty gives you specific legal rights, and you may also have other rights which vary from State to State.