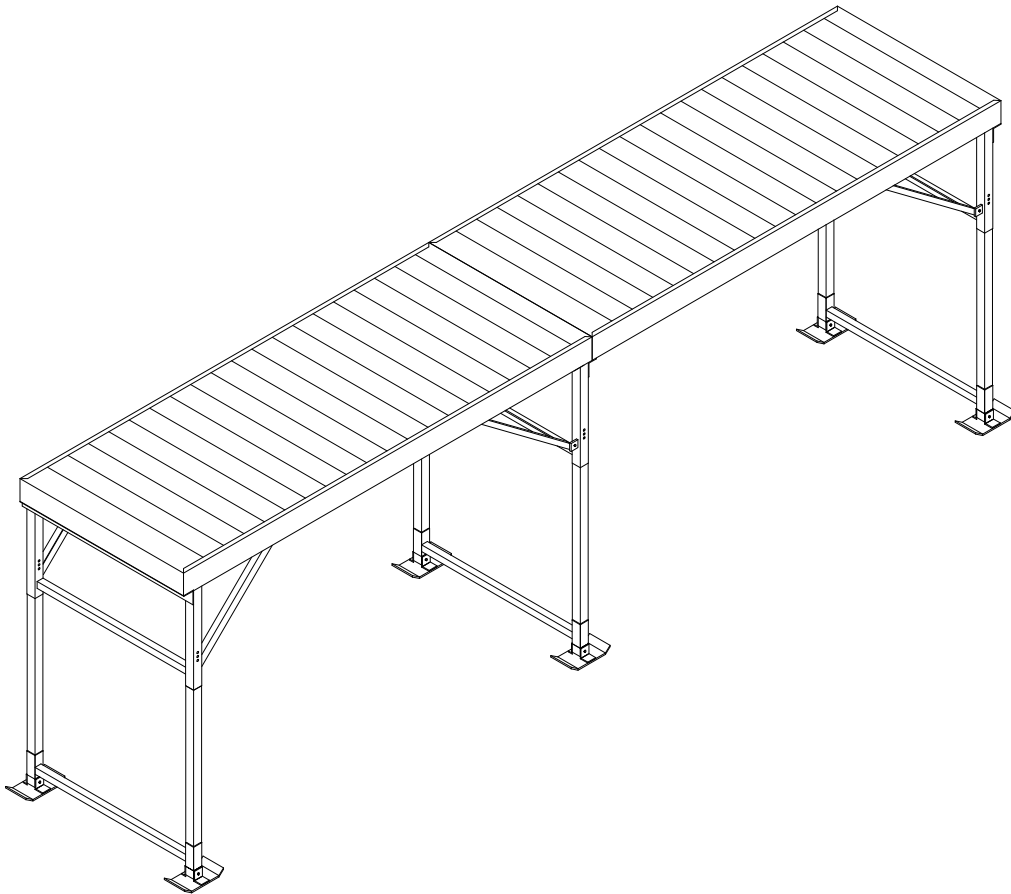




# STATIONARY DOCK (PIN STYLE LEGS) INSTRUCTIONS



**REIMANN & GEORGER CORPORATION**  
**MARINE PRODUCTS**  
P/N 6112---

**BUFFALO, NY**  
05/30/08

# TABLE OF CONTENTS

CHAPTER	TITLE	PAGE
<b>1</b>	<b>SAFETY .....</b>	<b>1</b>
1.1	Introduction .....	1
1.2	Safety Definitions .....	1
1.3	Equipment Safety Labels .....	1
1.4	Equipment and Personnel Safety .....	1
<b>2</b>	<b>SPECIFICATIONS .....</b>	<b>2</b>
2.1	Section Data .....	2
<b>3</b>	<b>INSTALLATION AND SETUP .....</b>	<b>3</b>
3.1	Configuration Guidelines .....	3
3.2	Pre-Installation Checks .....	3
3.3	General Assembly Instructions .....	3
3.4	Dock Ramp Assembly .....	4
3.5	Dock Shoreline Leg Frame Assembly .....	5
3.6	Dock Standard Leg Frame Support Assembly .....	5
3.7	Dock Support Post Assembly .....	8
3.8	Dock Support Post Adjustment .....	9
3.9	Dock Standard Leg Frame “L-Mount” Configuration Assembly .....	9
3.10	Dock Breakwall Support Assembly .....	10
3.11	Setting the Dock in the Water .....	11
<b>4</b>	<b>INSPECTION AND MAINTENANCE .....</b>	<b>12</b>
4.1	General Maintenance Rules .....	12
4.2	Annual Inspection .....	12
4.3	Storage Procedure .....	12
<b>5</b>	<b>PARTS LISTS .....</b>	<b>13</b>
5.1	Dock Sections .....	13
5.2	Dock Leg Support Frame .....	13
5.3	Dock Leg Support Frame- “L-Layout Only” .....	13
5.4	Shoreline Support Package .....	13
5.5	2-1/2 FT Support Package .....	13
5.6	4 FT Support Package .....	13
5.7	5-1/2 FT Support Package .....	13
5.8	7 FT Support Package .....	14
5.9	8-1/2 FT Support Package .....	14
5.10	Dock Leg Frame Standard Bag of Bolts .....	14
5.11	Dock “L-Mount” Support Package Bag of Bolts .....	14
5.12	Dock Shoreline Support Package Carton of Parts .....	14
5.13	Dock Standard Support Package Carton of Parts .....	14
5.14	Dock Standard Support Package Bag of Bolts .....	15
5.15	Dock Shoreline Support Package Bag of Bolts .....	15
5.16	Dock Ramp Section with Aluminum Deck .....	15
5.17	Dock Ramp Section with Premium Cedar Deck .....	15
5.18	Dock Ramp Section with Pressure Treated Deck .....	15
5.19	Dock Ramp Frame Assembly .....	15
5.20	Dock Section with Aluminum Deck .....	16
5.21	Dock Section with Premium Cedar Deck .....	16
5.22	Dock Section with Pressure Treated Deck .....	16
5.23	Dock Ramp Bag of Bolts .....	16
5.24	Dock Breakwater Support Package .....	16

## LIST OF FIGURES

FIGURE	DESCRIPTION	PAGE
3-1	Typical Dock Configurations .....	3
3-2	Dock Support Assembly.....	4
3-3	Dock Shoreline Leg Frame Assembly.....	5
3-4	Dock Standard Leg Frame Support End Section Assembly.....	6
3-5	Dock Standard Leg Frame Support Center Section Assembly.....	7
3-6	Dock Support Post Assembly.....	8
3-7	Dock Support Post Adjustment .....	9
3-8	Dock “L” Configuration Assembly .....	10
3-9	Dock Breakwall Support Assembly .....	11

# 1 SAFETY

## 1.1 INTRODUCTION

Your Reimann & Georger Corporation Marine Products Stationary Dock has been engineered to provide reliable performance, long term economics and safety advantages that no other type can match. However, even a well-designed and well-built dock can malfunction or become hazardous in the hands of an inexperienced and/or untrained user. Therefore, read this manual and related equipment manuals thoroughly before using your dock to provide maximum safety for all personnel, and to get the maximum benefit from your equipment.

## 1.2 SAFETY DEFINITIONS

A safety message alerts you to potential hazards that could hurt you or others or cause property damage. The safety messages or signal words for product safety signs are **DANGER**, **WARNING**, and **CAUTION**. Each safety message is preceded by a safety alert symbol and is defined as follows:

**DANGER:** Indicates an imminently hazardous situation which, if not avoided, **will** cause death or serious injury. This safety message is limited to the most extreme situations.

**WARNING:** Indicates a potentially hazardous situation which, if not avoided, **could** result in death or serious injury.

**CAUTION:** Indicates a potentially hazardous situation which, if not avoided, **may** result in minor or moderate injury. It may also be used to alert against unsafe practices and property-damage-only accidents.

## 1.3 EQUIPMENT SAFETY LABELS

These labels warn you of potential hazards that could cause injury. Read them carefully. If a label comes off or becomes illegible, contact a Reimann & Georger Corporation dealer for a free replacement.

## 1.4 EQUIPMENT AND PERSONNEL SAFETY

1. Do not assemble or use the dock if any part shows any signs of damage.
2. Do not weld or otherwise modify the dock. Such alterations may weaken the structural integrity of the dock and void the warranty.
3. Insure that all bolts and nuts are fastened securely prior to using the dock.
4. Insure that all the assembled frames are level and square.
5. All docking accessories must be commercially manufactured and be properly maintained and installed.
6. Do not install or use the dock under the influence of drugs, alcohol, or medication.
7. The dock is intended to support the weight of people only. Do not place any type of watercraft or any heavy equipment on the dock.
8. Do not leave objects such as boating hardware laying on the dock. These can cause someone to trip and fall into the water.
9. Do not use the dock during an electrical storm.
10. Do not allow anyone to swim or play under, near or on the dock at any time.
11. At least once a year, inspect the dock thoroughly.
12. Immediately replace any components found to be defective.

## 2 SPECIFICATIONS

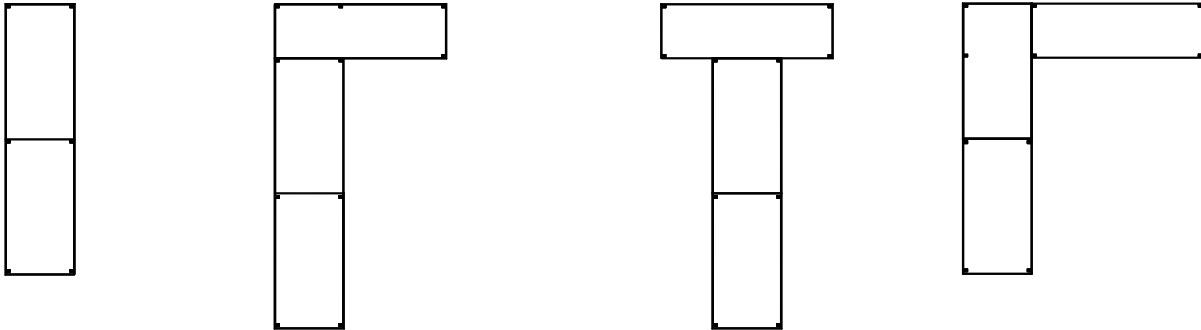
### 2.1 SECTION DATA

Dimensions	4 ft. x 10 ft.
Weight with powder-coated decking	116 lbs.
Weight with premium cedar decking	131 lbs.
Weight without decking	55 lbs.

### 3 INSTALLATION AND SETUP

#### 3.1 CONFIGURATION GUIDELINES

1. Your Reimann & Georger Corporation Adjustable Docks are modular sections that simply bolt together for easy installation or quick dismantling for winter storage. Heavy-wall support posts support the dock with footplates on the bottom. Support posts have cross braces and diagonal braces for added stability.
2. The deck should be installed where water depths are less than 8 feet and the water level fluctuation is less than 1 foot during the season.
3. Lay out the general shape of the dock system to fit your needs. Refer to Figure 3-1 for some typical configurations.



**Figure 3-1.**  
**Typical Adjustable Dock Configurations**

4. Water depths at the dock site must be known, from the lake bottom to normal summer level. If the lake bottom is really soft, adjust measurement to allow footplate to reach solid surface.
5. Decide on the freeboard height of the deck, which is the distance from the water to deck surface. The deck must be at least 6 inches higher than the normal wave height. Typical freeboard for a relatively calm lake is 18 inches.
6. Determine the height of each support post (water depth plus desired freeboard) on the layout for configuring the dock system. All support posts have an adjustment range of 18”.

#### 3.2 PRE-INSTALLATION CHECKS

1. Check the packing list to insure that you have all the parts for the dock configuration you are planning to build. Insure you have the desired type of deck.
2. If any parts are missing or damaged, contact your local supplier or Reimann & Georger Corporation. Do NOT assemble the dock if any part shows any signs of damage.
3. Do not weld or otherwise modify any part of the dock assembly. Such alterations may weaken the structural integrity of the dock and void the warranty.
4. Check water depth every ten feet where each support post will be located.
5. Do not assemble the dock without first reviewing all the safety procedures described in Chapter 1.

#### 3.3 GENERAL ASSEMBLY INSTRUCTIONS

1. The dock sections are the same regardless of configuration. Support packages vary by water depth and end placement. Support packages, four feet and greater, contain an additional leg brace that self locates near the footplates.
2. Set the dock frame upside down on either soft level ground or sawhorses to install dock support package.
3. This product has been supplied with stainless steel hardware to protect against a harsh marine environment and provide outstanding performance. Due to the chemistry and surface condition of stainless steel, there is a natural

tendency for the hardware to “gall, lock up, or seize” during assembly. To prevent this from occurring, it is **highly recommended** that the anti-seize supplied in the hardware bag be applied to the mating surfaces of all stainless steel fasteners before assembly. Lubricants containing molybdenum disulfide, graphite, mica or talc may also be used.



**CAUTION:**  
DO NOT EXCEED THE MAXIMUM TORQUE RATING ON ALL BOLTS OF 20 FT-LBS.

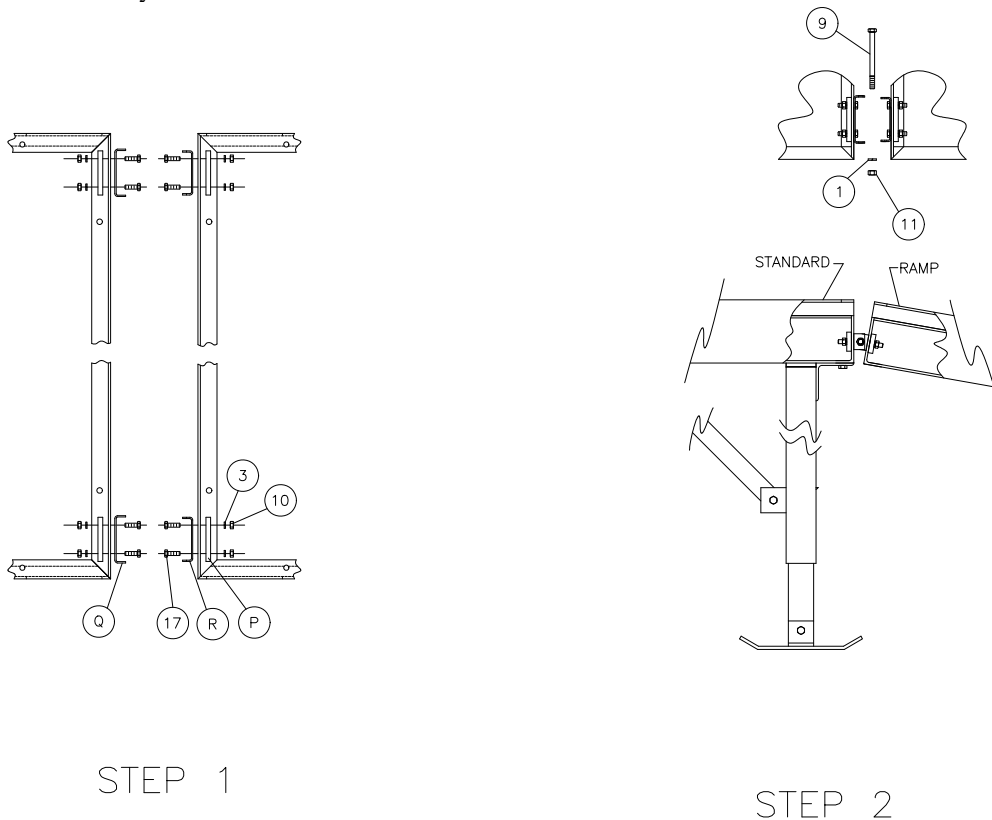


**WARNING:**  
FAILURE TO APPLY A SUITABLE LUBRICANT TO THE MATING SURFACES OF STAINLESS STEEL THREADED FASTENERS MAY CAUSE GALLING AND/OR SEIZING OF ASSEMBLY.

4. Assemble and install one dock section at a time.

### 3.4 DOCK RAMP ASSEMBLY

1. The dock ramp consists of a standard dock section with the addition of a hinging system to allow a sloped approach onto the dock. (Refer to Figure 3-2 Step 1). Attach each hinge large half (Q) to the standard dock section using two each 5/16” hex head cap screw (17), 5/16” split lock washer (3), 5/16” hex nut (10), and one backer plate (P). Repeat for other large hinge half. Attach each small hinge half (R) to the ramp dock section using two each 5/16” hex head cap screw (5), 5/16” split lock washer (3), 5/16” hex nut (10) and one backer plate (P). Tighten all four hinge halves securely.
2. It is recommended that final assembly of hinges (joining of dock sections) not be completed until final placement of dock sections in the water. (Refer to Figure 3-2 Step 2 ). Attach ramp section to standard section by aligning the small hinge halves inside the larger halves. Connect them by using one each 3/8 hex head cap screw (9), split lock washer (1), and hex nut (11). The hex nut should be closest to the outer edge of the dock section for ease of fastening. Repeat for other hinge and tighten both securely.



**Figure 3-2.**  
**Dock Ramp Assembly**

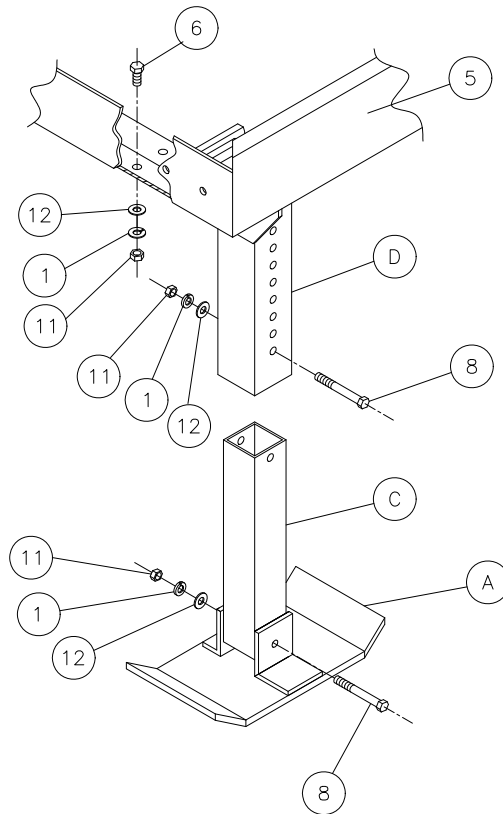


## CAUTION:

**IF THE GROUND IS SOFT, IT MAY BE NECESSARY TO PLACE BLOCKS UNDER THE RAMP SECTION TO STOP IT FROM SINKING INTO THE GROUND.**

### 3.5 DOCK SHORELINE LEG FRAME SUPPORT ASSEMBLY

1. (Refer to Figure 3-3) Attach the shoreline leg frame (D), to the dock frame (5), by aligning the holes nearest the outer edge of the mounting angle with holes in the bottom of frame end section. Fasten using two each, 3/8" hex head cap screw (6), flat washer (12), split lock washer (1), and hex nut (11). Tighten securely.
2. Determine shoreline dock leg length required. Using one each, 3/8" hex head cap screw (8), flat washer (12), split lock washer (1), and hex nut (11), in the appropriate adjustment hole (one inch increments), attach the shoreline leg lower tube (C), to the shoreline leg frame.
3. Attach footplate (A), to lower tube using the same hardware as in step 2 above.
4. Repeat step 2 and 3 for other side of dock. Tighten all fasteners securely.



**Figure 3-3.**  
**Dock Shoreline Leg Frame Support Assembly**

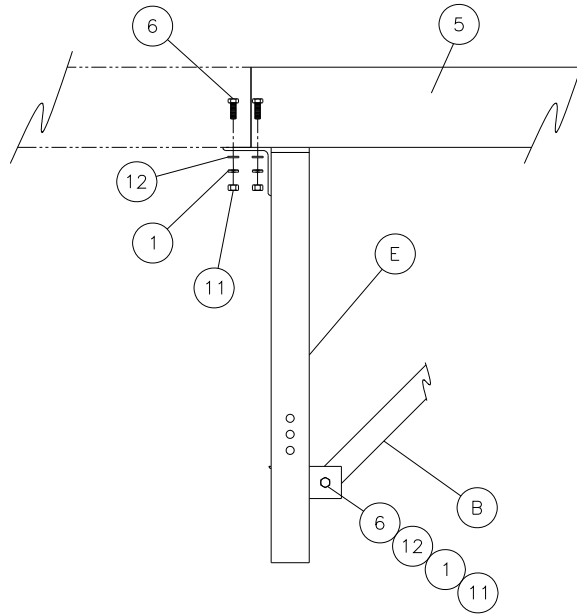
### 3.6 DOCK STANDARD LEG FRAME SUPPORT ASSEMBLY

The standard leg frame support assembly is used for both connection dock sections together and for supporting the dock above water. The leg frame slotted holes along with dock frame slotted pivot bar mate on the bottom of the deck section to serve as a hinge point for folding up the leg assembly for off-season storage.



## DOCK STANDARD LEG FRAME SUPPORT CENTER SECTION ASSEMBLY

1. (Refer to Figure 3-5) Align hole closest to inner edge of mounting angle with hole in frame end. Using one each, 3/8" hex head cap screw (6), flat washer (12), split lock washer (1), and hex nut (11), attach leg to dock frame. Mounting angle should protrude past face of dock frame to serve as a mounting surface for adjoining dock sections. (Tee or L-Mounting). Repeat for other side. Securely tighten all fasteners.
2. Install the dock leg upper brace (B), using two each, 3/8" hex head bolt (6), flat washer (12), split lock washer (1), and hex nut (11). Tighten securely. Repeat for other side.



**Figure 3-5.**  
**Dock Standard Leg Frame Support Center Section Assembly**

### 3.6 DOCK SUPPORT POST ASSEMBLY

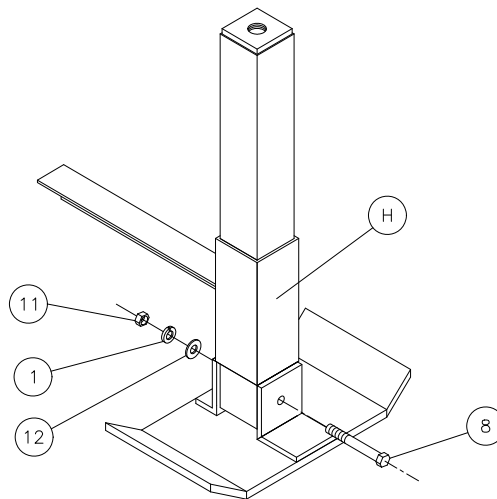
1. ( Refer to Figure 3-6 ) Install the required length dock support posts (I through M), into the leg frame assembly (G). This is done by inserting the end of the post having the threaded insert into the square opening of the standard leg frame and turning the adjustment nut clockwise six complete turns to fully engage the adjusting screw in the support post. A 1-1/4" wrench is required to turn the adjustment nut.



#### **WARNING:**

**SUPPORT POSTS GREATER THAN 2-1/2 FEET MUST BE BRACED WITH UPPER AND LOWER LEG BRACING IN TWO DIRECTIONS.**

2. Support posts greater than 2-1/2 feet require the use of a dock leg lower brace (E). Install lower brace by sliding the square tubes over the end of the support posts.
3. Install foot plate (A), onto support post using one each, 3/8" hex head cap screw (8), flat washer (12), lock washer (1), and hex nut (11). Tighten securely. Repeat for all support posts.



**Figure 3-6.**  
**Dock Support Post Assembly**

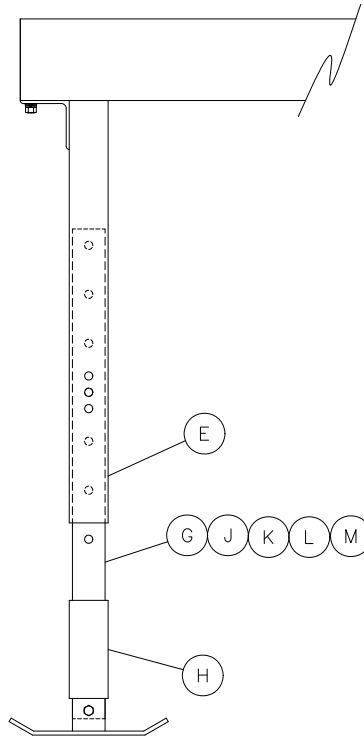
### 3.7 DOCK SUPPORT POST ADJUSTMENT

( Refer to Figure 3-7 ) The dock leg frame (E), allows for independent support post height adjustment through an 18” range to easily level the dock after being set into final position. Adjustment bolts located on each leg frame support post. Remove bolt to adjust height in one inch increments.



#### **WARNING:**

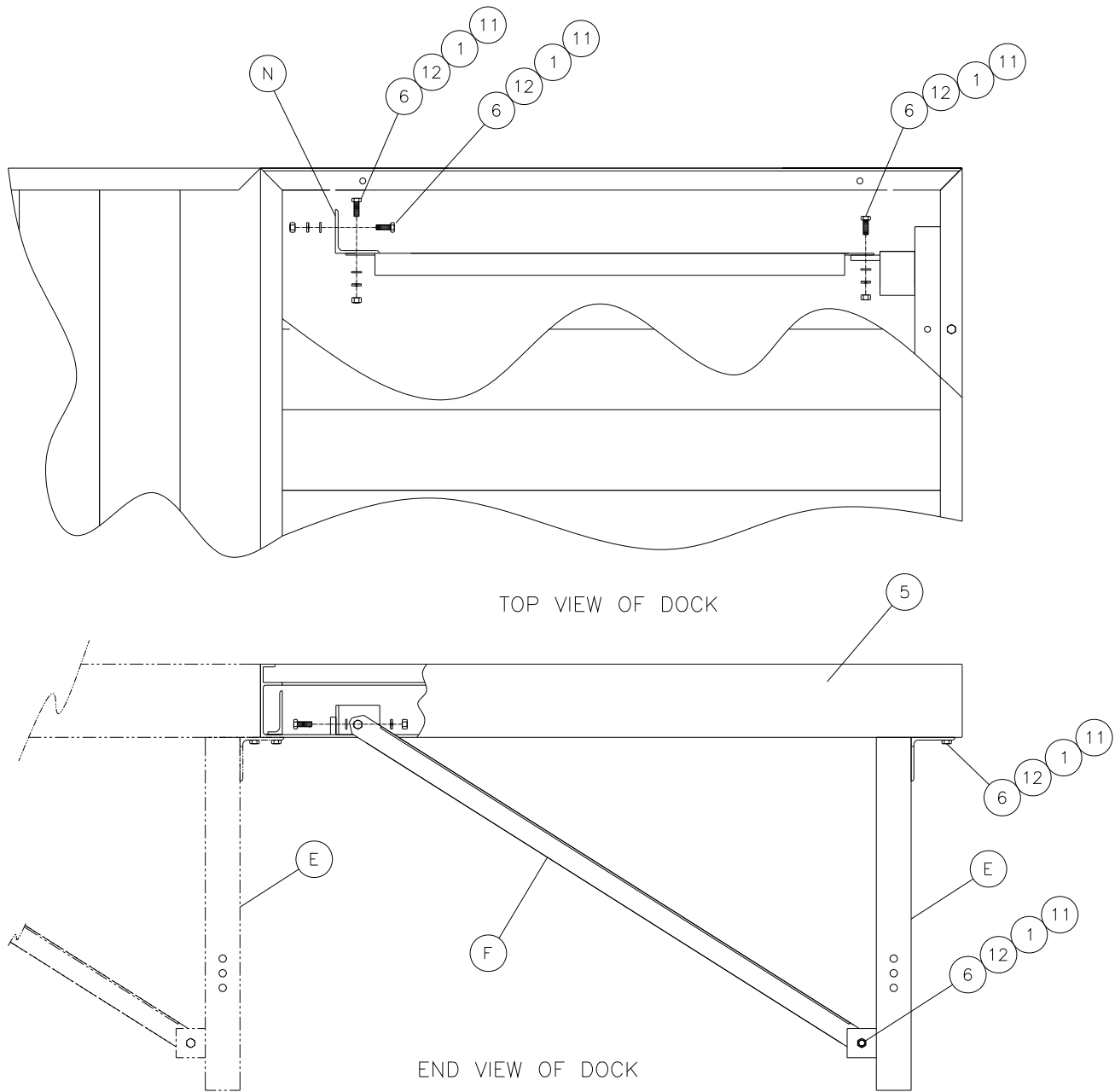
**THE DOCK MUST BE LEVEL. AN UNLEVEL DOCK INSTALLATION MAY AFFECT THE STRUCTURAL INTEGRITY AND MAY CAUSE BINDING RESULTING IN DIFFICULT DOCK INSTALLATION.**



**Figure 3-7.**  
**Dock Support Post Adjustment**

### 3.8 DOCK STANDARD LEG FRAME "L-MOUNT" CONFIGURATION ASSEMBLY

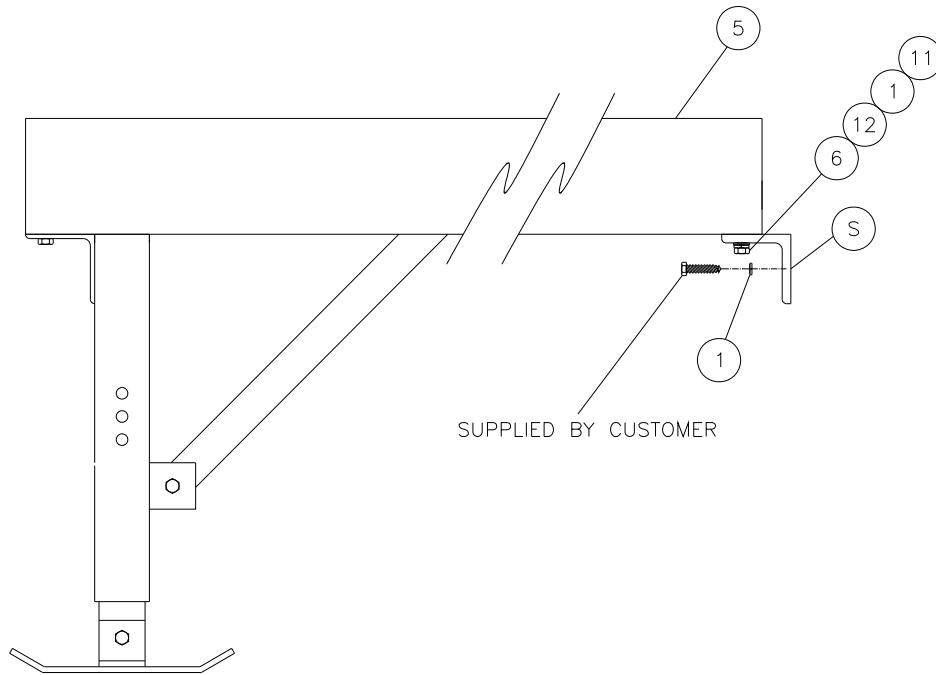
1. ( Refer to Figure 3-8 ) Attach dock standard leg frame (E), to side of dock frame (5), across from where this dock section will mount to a standard dock section. Using two each, 3/8” hex head cap screw (6), flat washer (12), split lock washer (1), and hex nut (11), align outer holes of leg mounting angle with the appropriate dock frame holes. The angle should not protrude past the face of the frame. Tighten securely.
2. Attach the dock leg brace L-mount angle bracket (T), to the slotted pivot bar at the end of the dock frame, using one each, 3/8” hex head cap screw (6), flat washer (12), split lock washer (1), and hex nut (11). Do not tighten at this time.
3. Attach dock leg upper brace L-mount (H), between standard leg frame and L-mount angle bracket using two each, 3/8” hex head cap screw (6), flat washer (12), split lock washer (1), and hex nut (11). Tighten all fasteners securely.



**Figure 3-8.**  
**Dock "L" Configuration Assembly**

### 3.9 DOCK BREAKWALL SUPPORT ASSEMBLY

1. (Refer to Figure 3-9 ) Attach the breakwall mounting angle (S), to the breakwall or other suitable support using five 3/8" diameter fasteners. Since it is impossible to supply bolts for all applications this is a customer supplied part. Five flat washers (1), are supplied for use with these bolts. Insure that the bolts are of adequate strength and length to support the loaded dock, and that all five mounting holes are utilized. Be sure the mounting angle is level and securely fastened to a sturdy structure.
2. Place the dock section frame (5), onto the mounting angle and align the two mounting holes. Attach them together using two each, 3/8" hex head cap screw (6), flat washer (12), split lock washer (1), and hex nut (11). Tighten all fasteners securely.



**Figure 3-9.**  
**Dock Breakwall Support Assembly**

### 3.10 SETTING THE DOCK IN THE WATER



**WARNING:**

**THE DOCK MUST BE LEVEL. AN UNLEVEL DOCK INSTALLATION MAY AFFECT THE STRUCTURAL INTEGRITY AND MAY CAUSE BINDING RESULTING IN DIFFICULT DOCK INSTALLATION.**

1. Set the dock in place one section at a time.
2. Level each section with the desired freeboard (refer back to section 3.1). Level additional sections with previous section.
3. Attach sections together using two each, 3/8" hex head cap screw (6), flat washer (12), split lock washer (1), and hex nut (11). Tighten all fasteners securely.



**CAUTION:**

**DO NOT INSTALL THE DOCK SECTION IN ROUGH WATER CONDITIONS.**

## 4 INSPECTION AND MAINTENANCE

### 4.1 GENERAL MAINTENANCE RULES

1. Do not allow persons other than authorized service personnel to repair this equipment.
2. Do not weld or otherwise modify the dock. Such alterations may weaken the structural integrity of the dock and invalidate your warranty.

### 4.2 ANNUAL INSPECTION

At least once a year, the dock must be thoroughly inspected.



#### **WARNING:**

**DO NOT ALLOW ANYBODY TO USE THE DOCK UNTIL THIS MAINTENANCE IS COMPLETED.**

1. Ensure all bolts are tight.
2. Check frame thoroughly for defects.

### 4.3 STORAGE PROCEDURE

1. Remove the dock before the water freezes.
2. Store the dock away from the edge of the water to prevent ice damage.

## 5 PARTS LISTS

Each reference number in the following parts lists can be matched with the reference number in both the text and illustrations of Chapter 3, Installation and Setup.

### 5.1 DOCK SECTIONS

REF #	PART #	QTY	DESCRIPTION
5	4003503	1	4 FT. DOCK FRAME ONLY
	4003030	1	4 FT. DOCK WITH POWDER COATED ALUM DECK see section 5.20
	4003060	1	4 FT. DOCK WITH PREMIUM CEDAR DECKING see section 15.21
	4003090	1	4 FT. DOCK WITH PRESSURE TREATED DECKING see section
	4003250	1	4 FT. DOCK RAMP FRAME ONLY see section 5.19
	4003005	1	4 FT. DOCK RAMP W/ALUM DECKING see section 5.16
	4003010	1	4 FT. DOCK RAMP W/CEDAR DECKING see section 5.17
	4003015	1	4 FT. DOCK RAMP W/PRESSURE TREATED DECK see section 5.18

### 5.2 #4003401 DOCK LEG SUPPORT FRAME

REF #	PART #	QTY	DESCRIPTION
-	4003130	1	DOCK LEG FRAME STD BAG OF BOLTS see section 5.10
B	4003615	2	DOCK LEG BRACE UPPER STD
E	4003635	1	DOCK LEG FRAME STD WELDMENT -PIN

### 5.3 #4003411 DOCK LEG SUPPORT FRAME-"L" LAYOUT ONLY

REF #	PART #	QTY	DESCRIPTION
	4003150	1	DOCK L MOUNT SUPPORT PKG BAG OF BOLT (NS) see section 5.11
F	4003630	1	DOCK LEG BRACE UPPER LEG MOUNT
E	4003635	2	DOCK LEG FRAME STD WELDMENT-PIN

### 5.4 #4003200 SHORELINE SUPPORT PACKAGE

REF #	PART #	QTY	DESCRIPTION
-	4003120	1	DOCK SHORELINE SUPPORT PKG COP see section 5.12
D	4003205	1	DOCK LEG FRAME SHORELINE WELDMENT

### 5.5 #4003026 2-1/2 FT SUPPORT PACKAGE

REF #	PART #	QTY	DESCRIPTION
-	4003111	1	DOCK STD PKG CARTON OF PARTS (PIN) see section 5.13
G	4003725	2	DOCK LEG 30" (PIN)

### 5.6 #4003041 4 FT SUPPORT PACKAGE

REF #	PART #	QTY	DESCRIPTION
-	4003111	1	DOCK STD SUPT PKD CARTON OF PARTS (PIN) see section 5.13
H	4003600	1	DOCK LEG BRACE LOWER
J	4003730	2	DOCK LEG 48" (PIN)

### 5.7 #4003056 5-1/2 FT SUPPORT PACKAGE

REF #	PART #	QTY	DESCRIPTION
-	4003111	1	DOCK STD SUPT PKD CARTON OF PARTS (PIN) see section 5.13
H	4003600	1	DOCK LEG BRACE LOWER
K	4003735	2	DOCK LEG 66" (PIN)

### 5.8 #4003071 7 FT SUPPORT PACKAGE

REF #	PART #	QTY	DESCRIPTION
	4003111	1	DOCK STD SUPT PKD CARTON OF PARTS (PIN) see section 5.13
H	4003600	1	DOCK LEG BRACE LOWER
L	4003740	2	DOCK LEG 84" (PIN)

**5.9 #4003086 8-1/2 FT SUPPORT PACKAGE**

REF #	PART #	QTY	DESCRIPTION
-	4003111	1	DOCK STD SUPT PKD CARTON OF PARTS (PIN) see section 5.13
H	4003600	1	DOCK LEG BRACE LOWER
M	4003745	2	DOCK LEG 102" (PIN)

**5.10 #4003130 DOCK LEG FRAME STD BAG OF BOLTS**

REF #	PART #	QTY	DESCRIPTION
1	5806243	8	WASHER SPLIT LOCK 3/8 SS
16	5806266	2	NUT ACORN 3/8-16 SS
6	5896247	6	HHCS 3/8-16 X 1 SS
7	5896248	2	HHCS 3/8-16 X 1-1/4 SS
11	5896377	6	NUT HEX 3/8-16 SS
12	5896406	8	WASHER FLAT SAE 3/8" SS

**5.11 #4003150 DOCK L- MOUNT SUPPORT PKG BAG OF BOLTS (NS)**

REF #	PART #	QTY	DESCRIPTION
N	4003940	1	DOCK LEG BRACE L MOUNT ANGLE BRACKET
1	5806243	5	WASHER SPLIT LOCK 3/8 SS
6	5896247	5	HHCS 3/8-16 X 1 SS
11	5896377	5	NUT HEX 3/8-16 SS
12	5896406	8	WASHER FLAT SAE 3/8" SS

**5.12 #4003120 DOCK SHORELINE SUPPORT PACKAGE CARTON OF PARTS**

REF #	PART #	QTY	DESCRIPTION
A	4002208	2	DOCK FOOT PLATE ASSY (6 X 9-3/4)
-	4003105	1	DOCK STD SUPPORT PACKAGE BAG OF BOLTS see section 5.14
-	4003115	1	DOCK SHORELINE SUPPORT PACKAGE BOB see section 5.15
C	4003215	2	DOCK LEG SHORELINE LOWER TUBE

**5.13 #4003111 DOCK STD SUPPORT PACKAGE CARTON OF PARTS**

REF #	PART #	QTY	DESCRIPTION
A	4002208	2	DOCK FOOT PLATE ASSY (6 X 9-3/4)
-	4003105	1	DOCK STD SUPPORT PKG BAG OF BOLTS see section 5.14

**5.14 #4003105 DOCK STD SUPPORT PACKAGE BOB**

REF #	PART #	QTY	DESCRIPTION
1	5806243	2	WASHER SPLIT LOCK 3/8 SS
13	5806244	2	WASHER SPLIT LOCK 1/2 SS
8	5896255	2	HHCS 3/8-16 X 3 SS
14	5896288	2	HHCS 1/2-13 X 3 SS
11	5896377	2	NUT HEX 3/8-16 SS
15	5896379	2	NUT HEX 1/2-13 SS
12	5896406	2	WASHER FLAT SAE 3/8 SS

**5.15 #4003115 DOCK SHORELINE SUPPORT PACKAGE BOB**

REF #	PART #	QTY	DESCRIPTION
1	5806243	4	WASHER SPLIT LOCK 3/8 SS
6	5896247	2	HHCS 3/8-16 X 1 SS
8	5896255	2	HHCS 3/8-16 X 3 SS
11	5896377	4	NUT HEX 3/8-16 SS
12	5896406	4	WASHER FLAT SAE 3/8 SS

**5.16 #4003005 DOCK RAMP SECTION WITH ALUMINUM DECK**

REF #	PART #	QTY	DESCRIPTION
	4003125	1	DOCK RAMP Bag of Bolts ( SEE SECTION 5.17 )
5	4003503	1	DOCK FRAME
	4003860	19	ALUMINUM DECKING
	4003830	36	WHITE PE DECK SPACER
	5894005	8	SELF DRILLING DECK SCREW

**5.17 #4003010 DOCK RAMP SECTION WITH PREMIUM CEDAR DECK**

REF #	PART #	QTY	DESCRIPTION
	4003125	1	DOCK RAMP Bag of Bolts ( SEE SECTION 5.17 )
5	4003503	1	DOCK FRAME
	4003875	22	PREMIUM CEDAR DECKING
	5894005	8	SELF DRILLING DECK SCREW

**5.18 #4003015 DOCK RAMP SECTION WITH PRESSURE TREATED DECK**

REF #	PART #	QTY	DESCRIPTION
	4003125	1	DOCK RAMP Bag of Bolts ( SEE SECTION 5.17 )
5	4003503	1	DOCK FRAME
	4003870	22	PRESSURE TREATED DECKING
	5894005	8	SELF DRILLING DECK SCREW

**5.19#4003250 DOCK RAMP FRAME ONLY**

REF #	PART #	QTY	DESCRIPTION
	4003125	1	DOCK RAMP Bag of Bolts ( SEE SECTION 5.17 )
5	4003503	1	DOCK FRAME

**5.20 #4003030 DOCK SECTION WITH ALUMINUM DECK**

REF #	PART #	QTY	DESCRIPTION
5	4003503	1	DOCK FRAME
	4003860	19	ALUMINUM DECKING
	4003830	36	WHITE PE DECK SPACER
	5894005	8	SELF DRILLING DECK SCREW

**5.21#4003060 DOCK SECTION WITH PREMIUM CEDAR DECK**

REF #	PART #	QTY	DESCRIPTION
5	4003503	1	DOCK FRAME
	4003875	22	PREMIUM CEDAR DECKING
	5894005	8	SELF DRILLING DECK SCREW

**5.22 #4003090 DOCK SECTION WITH PRESSURE TREATED DECK**

REF #	PART #	QTY	DESCRIPTION
5	4003503	1	DOCK FRAME
	4003870	22	PRESSURE TREATED DECKING
	5894005	8	SELF DRILLING DECK SCREW

**5.23#4003125 DOCK RAMP BAG OF BOLTS**

REF #	PART #	QTY	DESCRIPTION
P	4003905	4	DOCK HINGE BACKER PLATE
Q	4003910	2	DOCK HINGE LARGE HALF
R	4003915	2	DOCK HINGE SMALL HALF
1	5806243	2	3/8 SPLIT LOCK WASHER
3	5894004	8	5/16 SPLIT LOCK WASHER
17	5896224	8	5/16 X 1 HEX HEAD CAP SCREW
9	5896262	2	3/8 X 4-1/2 HEX HEAD CAP SCREW
10	5896375	8	5/16 HEX NUT
11	5896377	2	3/8 HEX NUT

**5.24#4003300 DOCK BREAKWALL SUPPORT PACKAGE**

REF #	PART #	QTY	DESCRIPTION
S	4003920	1	DOCK BREAKWALL MOUNTING ANGLE
	<b>4003145</b>	<b>1</b>	<b>DOCK BREAKWALL SUPPORT BAG OF BOLTS Consisting of;</b>
1	5806243	7	3/8 SPLIT LOCK WASHER
6	5896247	2	3/8 X 1 HEX HEAD CAP SCREW
11	5896377	2	3/8 HEX NUT
12	5896406	2	3/8 FLAT WASHER

## **LIMITED PRODUCT WARRANTY**

### **Reimann & Georger Corporation Marine Products**

RGC Marine products, hereafter referred to as the “Manufacturer”, extends this limited warranty to the original purchaser of this product. The original purchaser, hereinafter referred to as the “Buyer”, is defined as the first legal owner of this product other than an authorized distributor or dealer who has bought the product from the Manufacturer for resale to the public. **The Buyer must complete and return the Warranty Registration section of the provided Warranty Card to make this limited warranty effective.**

### **CONSUMER PRODUCT PROVISIONS**

**I. ARTICLE I—CONSUMER PRODUCT PROVISIONS: THE FOLLOWING PROVISIONS SHALL BE APPLICABLE IF THIS PRODUCT IS BEING PURCHASED FOR PERSONAL, FAMILY OR HOUSEHOLD PURPOSES.**

**THE CONSUMER PRODUCT PROVISIONS CONTAINED IN THIS ARTICLE I SHALL APPLY UNLESS THIS PRODUCT IS BEING PURCHASED SOLELY FOR COMMERCIAL OR INDUSTRIAL USE, IN WHICH EVENT THE PROVISIONS CONTAINED IN ARTICLE II BELOW SHALL APPLY AND THE PROVISIONS CONTAINED IN THIS ARTICLE I SHALL BE INAPPLICABLE.**

#### **A. 1-YEAR LIMITED WARRANTY**

The Manufacturer warrants to the Buyer that the decking shall be free of defects in material and workmanship for a period of one (1) year from date of original purchase. This limited warranty covers the cost of all parts and labor needed to repair any item that is found to be defective in material and workmanship. This warranty does not cover wear and tear, discoloration (fading), scratches, or dents associated with powder coated decking; nor does this warranty cover splitting, checking, warping, or discoloration associated with cedar decking.

#### **B. 15-YEAR LIMITED WARRANTY ON DOCK ALUMINUM FRAME EXTRUSION**

The Manufacturer warrants to the Buyer that the frame and extrusions shall be free of defects in material and workmanship for a period of fifteen (15) years from date of original purchase. This limited warranty covers the cost of all parts and labor needed to repair any item that is found to be defective in material and workmanship.

#### **C. MANUFACTURER’S OBLIGATIONS**

The Manufacturer’s sole obligation under either of these limited warranties is the replacement or repair, at the Manufacturer’s discretion, of parts found to be defective.

#### **D. NO SPECIAL, INCIDENTAL OR CONSEQUENTIAL DAMAGES**

**IN NO EVENT SHALL THE MANUFACTURER BE LIABLE TO THE BUYER OR ANY PERSON FOR ANY INDIRECT, SPECIAL, INCIDENTAL, OR CONSEQUENTIAL LOSSES OR DAMAGES CONNECTED WITH THE USE OF THE PRODUCT UNDER WARRANTY. SUCH DAMAGES FOR WHICH THE MANUFACTURER SHALL NOT BE RESPONSIBLE INCLUDE, BUT ARE NOT LIMITED TO, LOST TIME AND CONVENIENCE, LOSS OF USE OF THE PRODUCT, THE COST OF A PRODUCT RENTAL, COSTS OF GASOLINE, TELEPHONE, TRAVEL, OR LODGING, THE LOSS OF PERSONAL OR COMMERCIAL PROPERTY, AND THE LOSS OF REVENUE.**

Some States do not allow the exclusion or limitation of incidental or consequential damages, so the above limitation or exclusion may not apply to you.

#### **E. NO LIABILITY IN EXCESS OF PURCHASE PRICE**

**IN NO EVENT SHALL THE MANUFACTURER’S OBLIGATIONS UNDER THIS LIMITED WARRANTY EXCEED THE PURCHASE PRICE OF THE PRODUCT.**

**F. NO EXTENSION OF STATUTE OF LIMITATIONS**

**ANY REPAIRS PERFORMED UNDER EITHER OF THESE WARRANTIES SHALL NOT IN ANY WAY EXTEND THE ONE-YEAR AND FIFTEEN-YEAR STATUTES OF LIMITATIONS CONTAINED IN THIS LIMITED WARRANTY.**

**G. PROCEDURE FOR WARRANTY PERFORMANCE**

If the product fails to perform to the Manufacturer's specifications, the Buyer must contact the dealer from whom the product was purchased. The Buyer must provide the dealer with the applicable model and serial numbers, the date of purchase, and the nature of the problem.

**H. PREAPPROVAL OF LABOR COSTS**

All labor costs related to a dealer's performance of the warranty obligations under this limited warranty must be pre-approved by Reimann & Georger Corp. Marine Products.

**I. NO OTHER EXPRESS WARRANTIES**

**THE MANUFACTURER IS NOT SUBJECT TO ANY EXPRESS WARRANTIES OTHER THAN THOSE SET FORTH ABOVE.**

**J. LIMIT ON DURATION OF IMPLIED WARRANTIES**

**THE DURATION OF ANY IMPLIED WARRANTIES UNDER APPLICABLE STATE LAW RELATING TO THE PURCHASE OF THIS PRODUCT SHALL BE LIMITED TO A PERIOD OF ONE (1) YEAR FROM THE DATE OF PURCHASE.**

Some States do not allow limitations on how long an implied warranty lasts, so the above limitations may not apply to you.

**K. QUESTIONS REGARDING LIMITED WARRANTY**

Any questions regarding this limited warranty or the procedure which the consumer should follow in order to obtain performance of any warranty obligation may be addressed to either the dealer from whom this product is purchased or to Reimann & Georger Corp. Marine Products, P.O. Box 681, Buffalo, NY 14240.

**L. EXCLUSIONS FROM LIMITED WARRANTY. THIS LIMITED WARRANTY DOES NOT COVER ANY OF THE FOLLOWING:**

1. Equipment which has been abused, damaged, used beyond rated capacity, or which is damaged or has defects caused by repairs or service completed by persons other than authorized service personnel.
2. Costs of repairing damage caused by environmental factors which include, but are not limited to, airborne fallout, chemicals, tree sap, salt, ocean spray, and water hazards.
3. Damage caused by acts of God which include, but are not limited to, hailstorms, windstorms, tornadoes, sandstorms, lightning, floods, and earthquakes.
4. Damage under conditions caused by fire or accident, by abuse or negligence, by improper installation, by misuse, by incorrect operation, by "normal wear and tear", by improper adjustment or alteration, by alterations not done by the Manufacturer, or by failure of product parts from such alterations.
5. Costs of repairing damage caused by poor or improper maintenance, costs of normally scheduled maintenance, or the cost of replacing any parts unless done as the result of a repair covered by your one-year limited warranty.
6. Costs of modifying the product in any way once delivered to the Buyer, even if such modifications were added as a production change on other products made after the Buyer's product was built.

**M. RIGHT TO MODIFY PRODUCT**

The Manufacturer has the right to modify this product at any time without incurring any obligation to make the same or similar modifications on products previously purchased.

**N. NO AUTHORITY TO ALTER WARRANTY**

No agent, representative, distributor or dealer has any authority to alter the terms of this warranty in any way.

**O. SPECIFIC LEGAL RIGHTS**

This warranty gives you specific legal rights and you may also have other rights which vary from State to State.

## **COMMERCIAL PRODUCT PROVISIONS**

**II. ARTICLE II—COMMERCIAL PRODUCT PROVISIONS: THE FOLLOWING PROVISIONS SHALL BE APPLICABLE ONLY IF THIS PRODUCT IS BEING PURCHASED SOLELY FOR COMMERCIAL OR INDUSTRIAL USE. IF THIS PRODUCT IS BEING PURCHASED FOR PERSONAL, FAMILY OR HOUSEHOLD PURPOSES, THE PROVISIONS CONTAINED IN THIS ARTICLE II SHALL NOT BE APPLICABLE AND THE PROVISIONS CONTAINED IN ARTICLE I ABOVE SHALL APPLY.**

### **A. 1-YEAR LIMITED WARRANTY**

The Manufacturer warrants to the Buyer that the decking shall be free of defects in material and workmanship for a period of one (1) year from date of original purchase. This limited warranty covers the cost of all parts and labor needed to repair any item that is found to be defective in material and workmanship. This warranty does not cover wear and tear, discoloration (fading), scratches, or dents associated with powder coated decking; nor does this warranty cover splitting, checking, warping, or discoloration associated with cedar decking.

### **B. 5-YEAR LIMITED WARRANTY ON DOCK ALUMINUM FRAME EXTRUSION**

The Manufacturer warrants to the Buyer that the frame and extrusions shall be free of defects in material and workmanship for a period of five (5) years from date of original purchase. This limited warranty covers the cost of all parts and labor needed to repair any item that is found to be defective in material and workmanship.

### **C. MANUFACTURER'S OBLIGATIONS**

The Manufacturer's sole obligation under either of these limited warranties is the replacement or repair, at the Manufacturer's discretion, of parts found to be defective.

### **D. NO SPECIAL, INCIDENTAL, OR CONSEQUENTIAL DAMAGES**

**IN NO EVENT SHALL THE MANUFACTURER BE LIABLE TO THE BUYER OR ANY PERSON FOR ANY INDIRECT, SPECIAL, INCIDENTAL, OR CONSEQUENTIAL LOSSES OR DAMAGES CONNECTED WITH THE USE OF THE PRODUCT UNDER WARRANTY. SUCH DAMAGES FOR WHICH THE MANUFACTURER SHALL NOT BE RESPONSIBLE INCLUDE, BUT ARE NOT LIMITED TO, LOST TIME AND CONVENIENCE, LOSS OF USE OF THE PRODUCT, THE COST OF A PRODUCT RENTAL, COSTS OF GASOLINE, TELEPHONE, TRAVEL, OR LODGING, THE LOSS OF PERSONAL OR COMMERCIAL PROPERTY, AND THE LOSS OF REVENUE.**

### **E. NO LIABILITY IN EXCESS OF PURCHASE PRICE**

**IN NO EVENT SHALL THE MANUFACTURER'S OBLIGATIONS UNDER THIS LIMITED WARRANTY EXCEED THE PURCHASE PRICE OF THE PRODUCT.**

### **F. NO EXTENSION OF STATUTE OF LIMITATIONS**

**ANY REPAIRS PERFORMED UNDER EITHER OF THESE WARRANTIES SHALL NOT IN ANY WAY EXTEND THE RESPECTIVE STATUTES OF LIMITATIONS CONTAINED IN THIS LIMITED WARRANTY.**

### **G. WAIVER OF OTHER WARRANTIES**

**THESE EXPRESS WARRANTIES ARE IN LIEU OF AND EXCLUDE ANY AND ALL OTHER WARRANTIES, EXPRESS OR IMPLIED, INCLUDING, BUT NOT LIMITED TO, THE IMPLIED WARRANTIES OR MERCHANTABILITY AND FITNESS FOR A PARTICULAR PURPOSE.**

### **H. PROCEDURE FOR WARRANTY PERFORMANCE**

If the product fails to perform to the Manufacturer's specifications, the Buyer must contact the dealer from whom the product was purchased. The Buyer must provide the dealer with the applicable model and serial numbers, the date of purchase, and the nature of the problem.

### **I. PREAPPROVAL OF LABOR COSTS**

All labor costs related to a dealer's performance of the warranty obligations under this limited warranty must be pre-approved by Reimann & Georger Corp. Marine Products.

### **J. EXCLUSIONS FROM WARRANTY. THIS LIMITED WARRANTY DOES NOT COVER ANY OF THE FOLLOWING:**

1. Equipment which has been abused, damaged, used beyond rated capacity, or which is damaged or has defects caused by repairs or service completed by persons other than authorized service personnel.
2. Costs of repairing damage caused by environmental factors which include, but are not limited to, airborne fallout, chemicals, tree sap, salt, ocean spray, and water hazards.
3. Damage caused by acts of God which include, but are not limited to, hailstorms, windstorms, tornadoes, sandstorms, lightning, floods, and earthquakes.
4. Damage under conditions caused by fire or accident, by abuse or negligence, by improper installation, by misuse, by incorrect operation, by "normal wear and tear", by improper adjustment or alteration, by alterations not done by the Manufacturer, or by failure of product parts from such alterations.
5. Costs of repairing damage caused by poor or improper maintenance, costs of normally scheduled maintenance, or the cost of replacing any parts unless done as the result of a repair covered by your one-year limited warranty.
6. Costs of modifying the product in any way once delivered to the Buyer, even if such modifications were added as a production change on other products made after the Buyer's product was built.

### **K. RIGHT TO MODIFY PRODUCT**

The Manufacturer has the right to modify this product at any time without incurring any obligation to make the same or similar modifications on products previously purchased.

### **L. NO AUTHORITY TO ALTER WARRANTY**

No agent, representative, distributor, or dealer has any authority to alter the terms of this warranty in any way.

### **M. SPECIFIC LEGAL RIGHTS**

This warranty gives you specific legal rights, and you may also have other rights which vary from State to State.