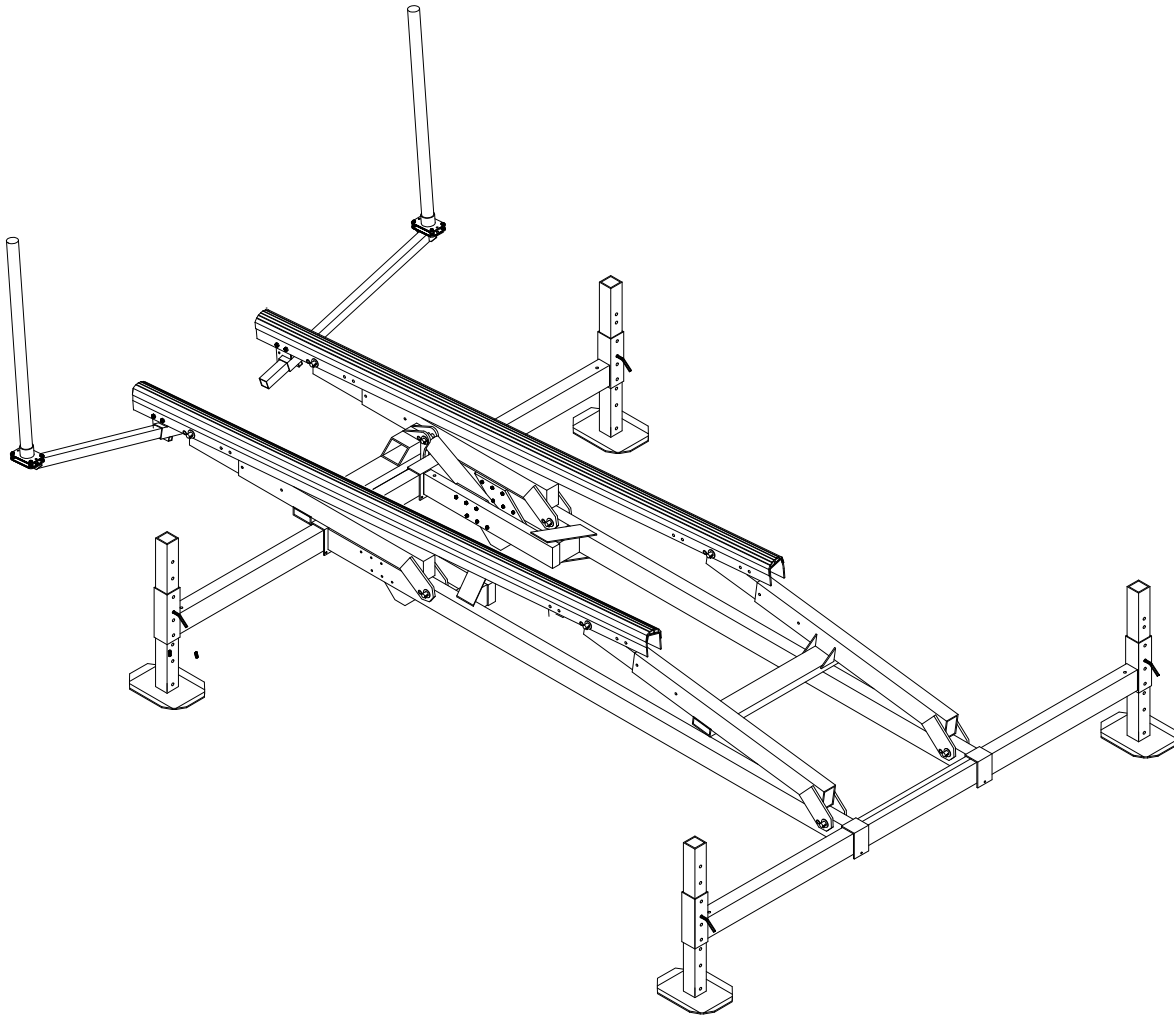




# HL GUIDE POST INSTRUCTIONS

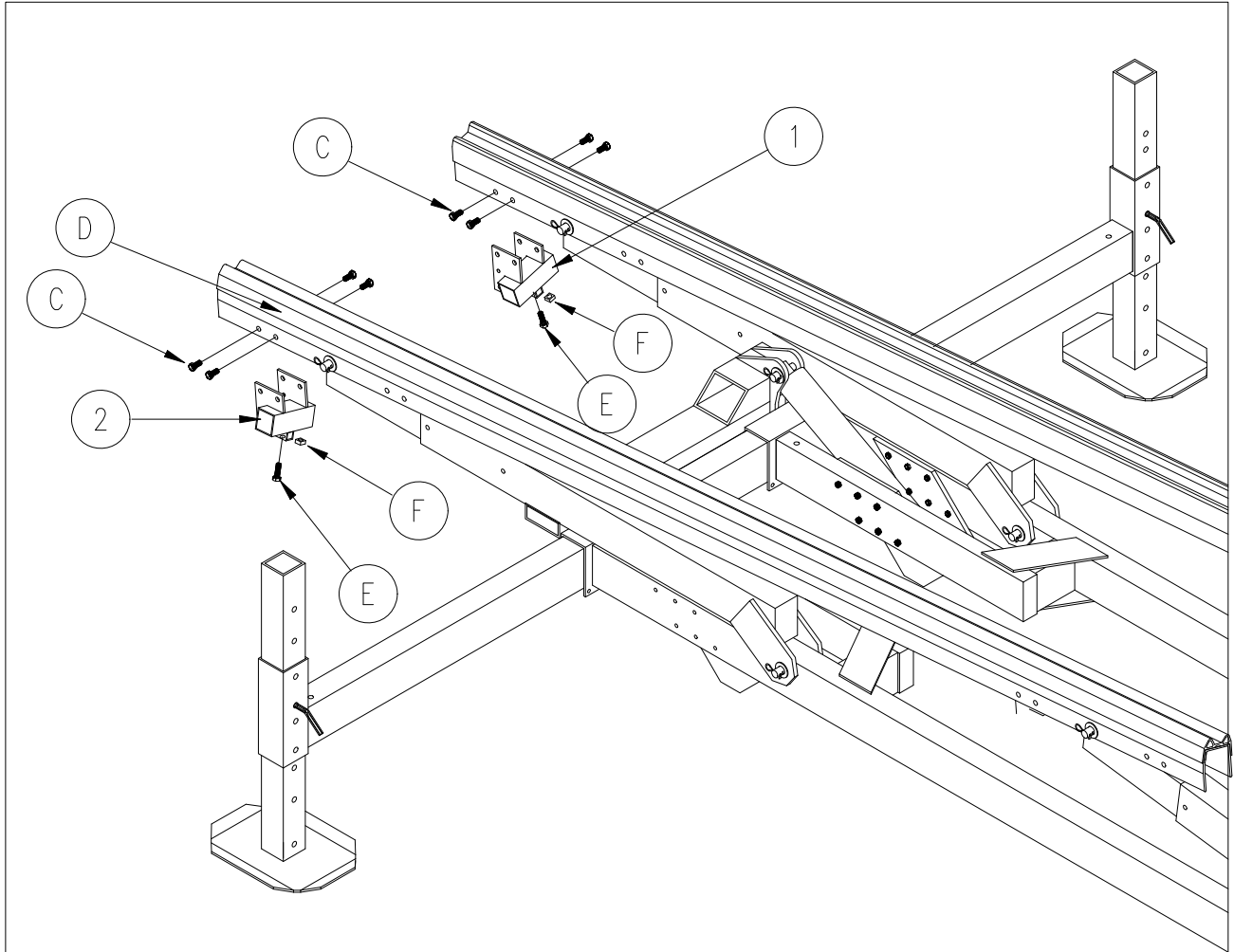


**REIMANN & GEORGER CORPORATION**  
**MARINE PRODUCTS**  
P/N 6114166

**BUFFALO, NY**  
5/9/11

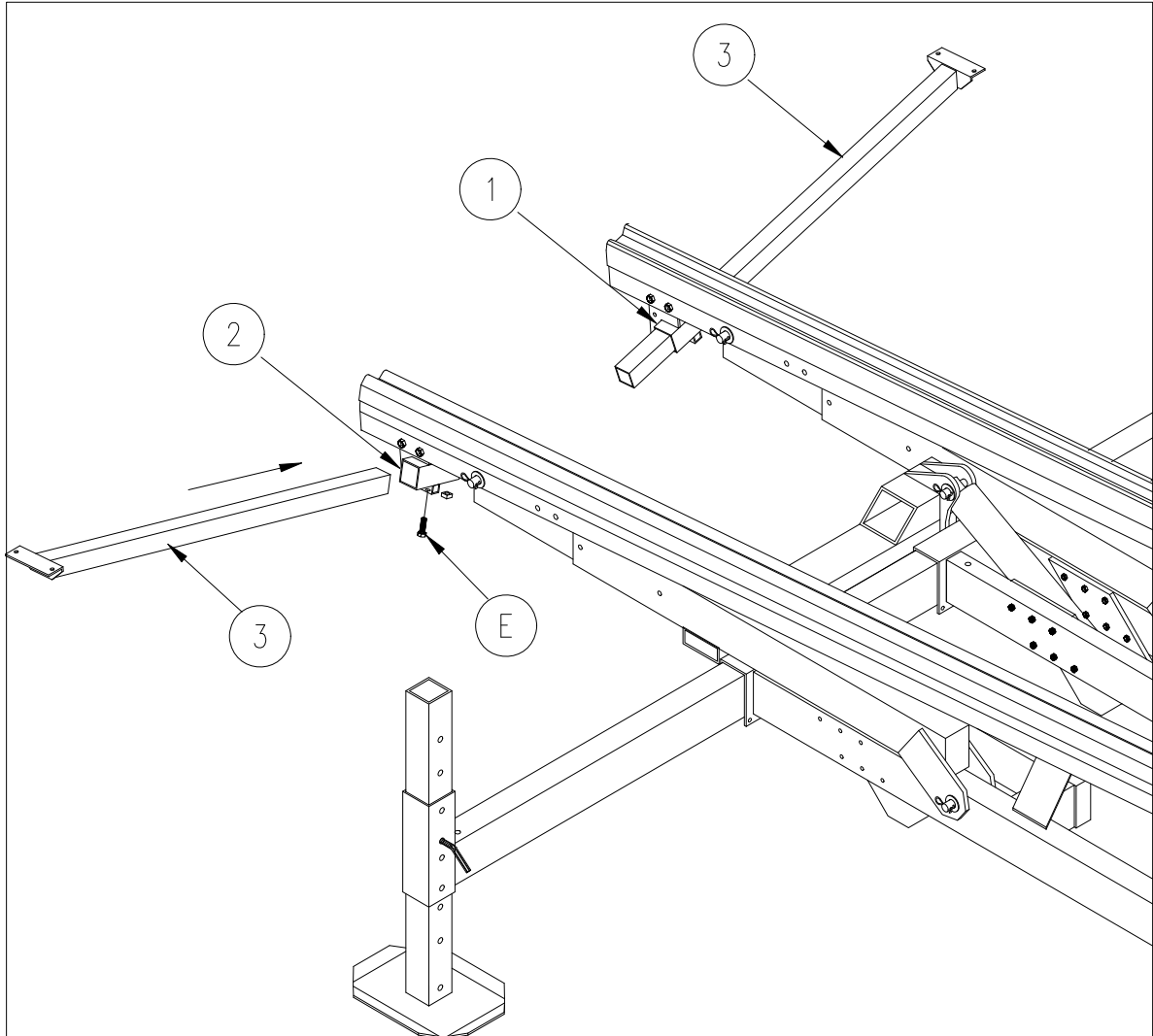
## STEP 1

1. Assemble left (detail 1) & right (detail 2) guide post support weldments to the HL bunks using bolts (detail C) & lock nut (detail D).
2. Insert 1/2" square nut (detail F) into each guide post support and install 1/2" hex bolt (detail E).



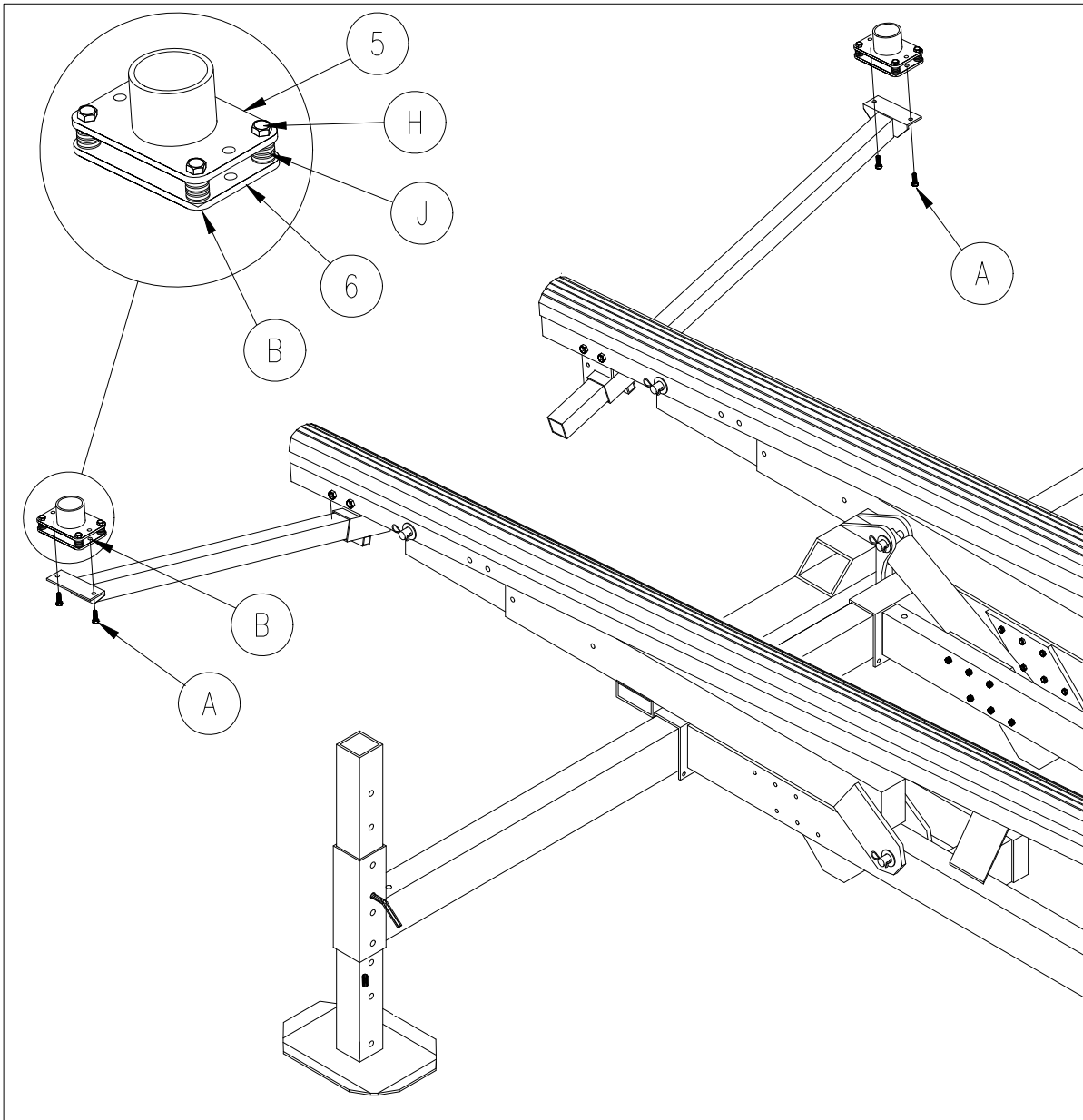
## STEP 2

1. Insert the horizontal tube 48" (detail 3) into the guide post support (details 1 & 2). Tighten the 1/2" hex bolt (detail E) to retain the tube.



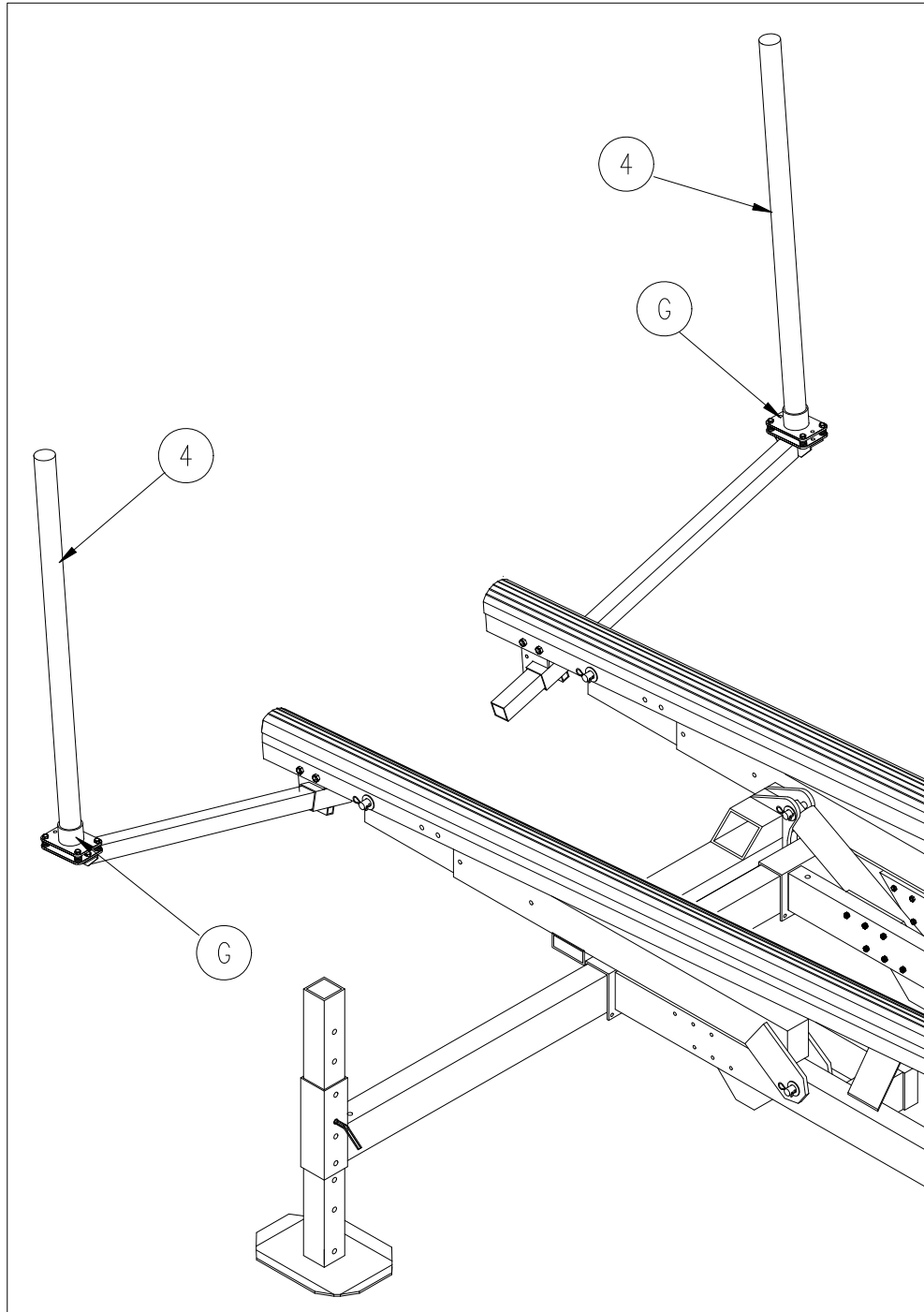
## STEP 3

1. Assemble guide post lower mount assembly. Install (4) compression springs (detail J) between details 5 & 6. Use (4) 3/8" bolts (detail H) and lock nut (detail B) to retain springs. Tighten bolt & nut to compress spring approximately 1/16".
2. Attach guide post lower mount assembly to the horizontal tube using 3/8" bolts (detail A) and lock nut (detail B).



## STEP 4

1. Assemble guide post assembly PVC into guide post lower mount (detail 5). Use the self-drilling screw to retain the PVC guide post in the lower mount.



## HL GUIDE POST PARTS LIST

Each reference number or letter in the following parts lists can be matched with the reference number or letter referred to in the illustrations of the instruction manual.

### HL GUIDE POST 3K-9K (Pair) Carton of Parts

REF #	PART #	QTY	DESCRIPTION
1	4107547	1	HL GUIDE POST SUPPORT LH WELDMENT
2	4107542	1	HL GUIDE POST SUPPORT RH WELDMENT
3	4107536	2	HL GUIDE POST HORIZ TUBE 48" WELDMENT
4	4107479	2	HL GUIDE POST ASSY PVC
5	4107541	2	HL GUIDE POST WELDMENT LOWER
6	4107706	2	HL GUIDE POST MTG PLATE 4" X 6"
	<b>4107351</b>	<b>1</b>	<b>GUIDE POST BAG OF BOLTS</b>
			consisting of:
A	5896247	4	3/8-16 x 1 HHCS
B	5897016	12	3/8-16 HEX NYLOCK NUT
C	5896281	8	1/2-13 X 1-1/4 HHCS
D	5897018	8	1/2-13 HEX NYLOCK NUT
E	5896284	2	1/2-13 X 2 HHCS
F	5896385	2	1/2-13 SQ NUT
G	5894005	4	#10 X 3/4 SELF DRILL SS
H	5896253	8	3/8-16 X 2-1/2 HHCS
J	5894104	8	COMPRESSION SPRING