



# HL GUIDE-ON INSTRUCTIONS

**OBSOLETE**

## SPECIFICATIONS

P/N	DESCRIPTION	ADJUSTMENT RANGE (inches)	WOOD SIZE (inches) L x W x H
4110045	HL GUIDE-ON 5K	17-7/8 to 25-5/16	136-1/2 x 5-1/2 x 5
4110046	HL GUIDE-ON 5K TALL	25-7/8 to 33-5/16	136-1/2 x 5-1/2 x 5
4110047	HL GUIDE-ON 5K X-TALL	25-7/8 to 42-5/16	136-1/2 x 5-1/2 x 5
4110048	HL GUIDE-ON 5K NARROW	17-7/8 to 25-5/16	136-1/2 x 3-1/2 x 5
4110049	HL GUIDE-ON 5K TALL/NARROW	25-7/8 to 33-5/16	136-1/2 x 3-1/2 x 5
4110050	HL GUIDE-ON 7K TALL	25-7/8 to 33-5/16	136-1/2 x 5-1/2 x 5
4110051	HL GUIDE-ON 7K X-TALL	25-7/8 to 42-5/16	136-1/2 x 5-1/2 x 5
4110052	HL GUIDE-ON 7K TALL/NARROW	25-7/8 to 33-5/16	136-1/2 x 3-1/2 x 5

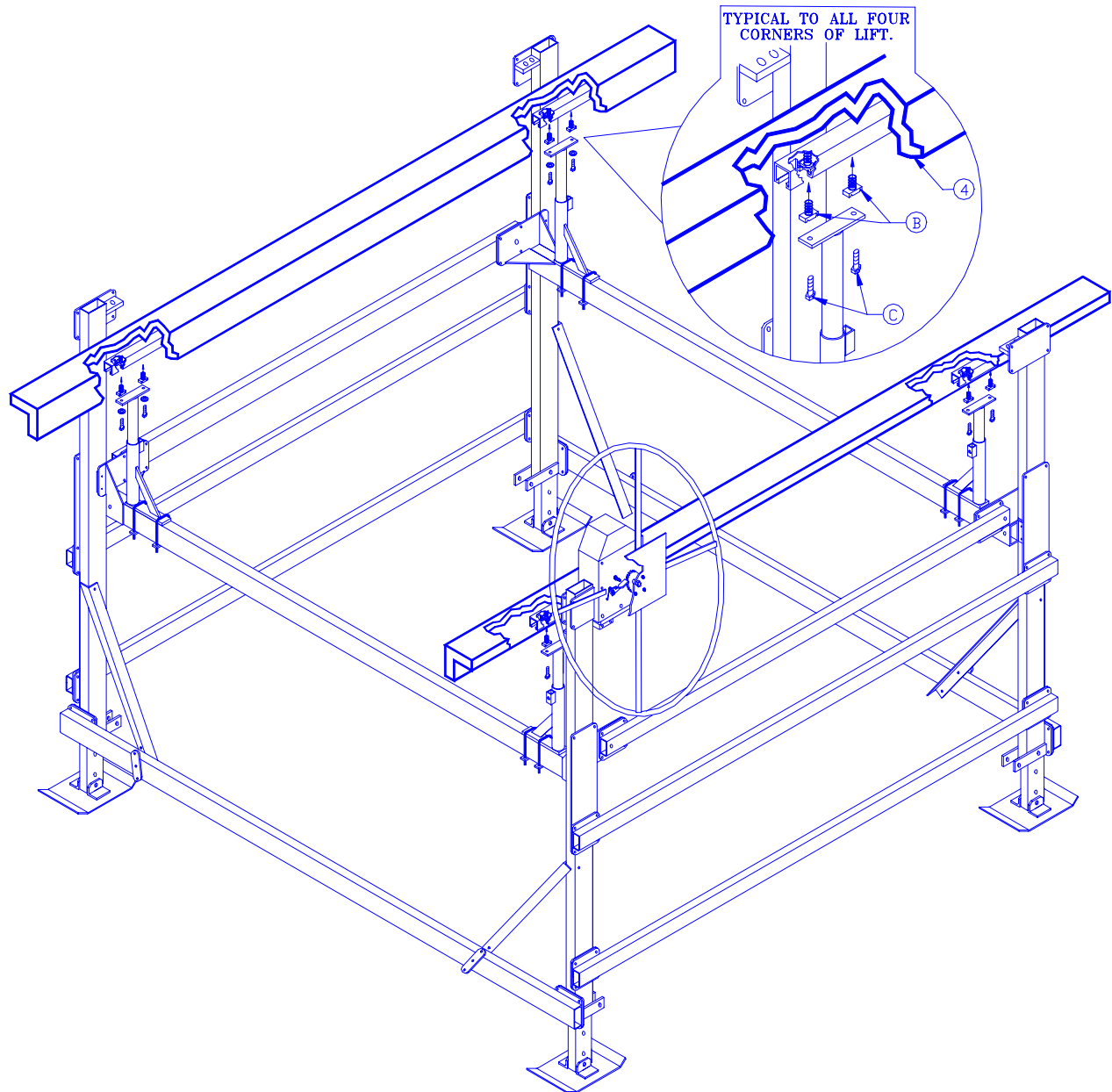
Selecting proper Guide-on for application:

1. Determine best contact area for guide ons to boat hull. Avoid contact with any graphics or decals.
2. Measure distance from contact area to bottom of boat. Add 3" to dimension for clearance from bottom of boat to lift.
3. Select narrow or standard width guide ons for your capacity lift which is within the adjustment range.



## STEP 2: ATTACH GUIDE ON WOOD

- 2a) POSITION GUIDE-ON WOOD ON TOP OF UPPER TUBE ASSEMBLY. POSITION GUIDE ON WOOD SO THAT THE ALUMINUM CHANNEL (PREASSEMBLED TO WOOD) RESTS ON TOP OF THE MTG PLATE ON TUBE.
- 2b) INSERT SPRING NUT INTO CHANNEL AS INDICATED AND TURN TO LOCK IN PLACE ON CHANNEL RIDGE. COMPRESS SPRING TO SLIDE SPRING NUT INTO POSITION.
- 2c) ATTACH GUIDE ON WOOD TO UPPER TUBE MOUNTING PLATE AS SHOWN.



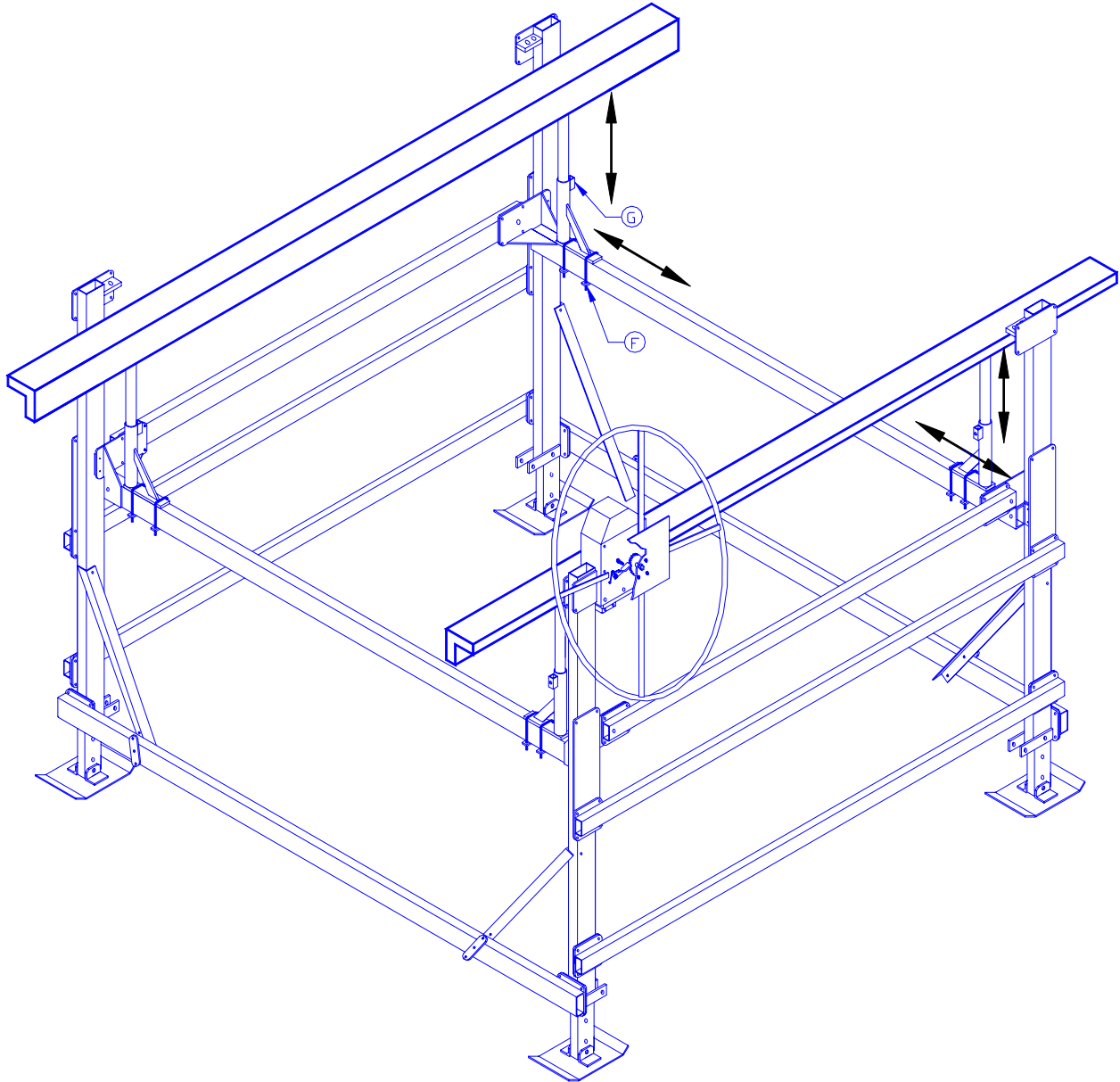
## STEP 3: ADJUST TO SUIT BOAT

3a) LOOSEN U-BOLTS & ADJUST DISTANCE BETWEEN WOOD GUIDE ON'S TO BEST SUIT BOAT AND WAVE CONDITIONS. RETIGHTEN U-BOLTS.

**NOTE:** ADJUST FOR MORE SPACE BETWEEN GUIDE ON & HULL IN AREAS WITH CHOPPY WATER.

3b) LOOSEN 1/2" BOLT & ADJUST HEIGHT OF WOOD GUIDE ON'S TO BEST SUIT BOAT. RETIGHTEN BOLTS

**CAUTION !** ADJUST GUIDE ON'S TO AVOID CONTACT WITH ANY GRAPHICS OR DECALS ON BOAT HULL.



## HL GUIDE-ON PARTS LIST

Each reference number or letter in the following parts lists can be matched with the reference number or letter referred to in the illustrations of the instruction manual.

### #4110045 HL GUIDE-ON 5K

#### #4100945 HL Guide-On Carton of Parts 5K

REF #	PART #	QTY	DESCRIPTION
1	4100560	4	HL GUIDE-ON SUPPORT ASSEMBLY
2	3608028	4	GUIDE-ON UPPER TUBE ASSEMBLY
	<b>3602910</b>	<b>1</b>	<b>GUIDE-ON BAG OF BOLTS 5K</b>
			consisting of:
3	3606921	8	TWO HOLE PLATE 3"
A	5895900	8	3/8 X 3-1/8 X 6-5/8" U-BOLT SQUARE BEND
B	5805898	8	3/8-16 SPRING NUT
C	5896248	8	3/8-16 X 1-1/4" HHCS
D	5896406	16	3/8 WASHER SAE
E	5806243	16	3/8 WASHER SPLIT LOCK
F	5896377	16	3/8-16 HEX NUT
G	5896282	4	1/2-13 X 1-1/2" HHCS
H	5896385	4	1/2-13 SQUARE NUT HD

#### #3603822 Guide-On Wood Bundle

REF #	PART #	QTY	DESCRIPTION
4	3608058	2	GUIDE-ON CARPETED WOOD

### #4110046 HL GUIDE-ON ( TALL ) 5K

#### #4100946 HL Guide-On ( Tall ) Carton of Parts 5K

REF #	PART #	QTY	DESCRIPTION
1	4100561	4	HL GUIDE-ON SUPPORT ASSEMBLY - TALL
2	3608028	4	GUIDE-ON UPPER TUBE ASSEMBLY
	<b>3602910</b>	<b>1</b>	<b>GUIDE-ON BAG OF BOLTS 5K</b>
			consisting of:
3	3606921	8	TWO HOLE PLATE 3"
A	5895900	8	3/8 X 3-1/8 X 6-5/8" U-BOLT SQUARE BEND
B	5805898	8	3/8-16 SPRING NUT
C	5896248	8	3/8-16 X 1-1/4" HHCS
D	5896406	16	3/8 WASHER SAE
E	5806243	16	3/8 WASHER SPLIT LOCK
F	5896377	16	3/8-16 HEX NUT
G	5896282	4	1/2-13 X 1-1/2" HHCS
H	5896385	4	1/2-13 SQUARE NUT HD

#### #3603822 Guide-On Wood Bundle

REF #	PART #	QTY	DESCRIPTION
4	3608058	2	GUIDE-ON CARPETED WOOD

**#4110047 HL GUIDE-ON (X-TALL) 5K****#4100947 HL Guide-On Carton of Parts 5K**

REF #	PART #	QTY	DESCRIPTION
1	4100561	4	HL GUIDE-ON SUPPORT ASSEMBLY - TALL
2	3618028	4	GUIDE-ON UPPER TUBE ASSEMBLY
	<b>3602910</b>	<b>1</b>	<b>GUIDE-ON BAG OF BOLTS 5K</b>
			consisting of:
3	3606921	8	TWO HOLE PLATE 3"
A	5895900	8	3/8 X 3-1/8 X 6-5/8" U-BOLT SQUARE BEND
B	5805898	8	3/8-16 SPRING NUT
C	5896248	8	3/8-16 X 1-1/4" HHCS
D	5896406	16	3/8 WASHER SAE
E	5806243	16	3/8 WASHER SPLIT LOCK
F	5896377	16	3/8-16 HEX NUT
G	5896282	4	1/2-13 X 1-1/2" HHCS
H	5896385	4	1/2-13 SQUARE NUT HD

**#3603822 Guide-On Wood Bundle**

REF #	PART #	QTY	DESCRIPTION
4	3608058	2	GUIDE-ON CARPETED WOOD

**#4110048 HL GUIDE-ON (NARROW) 5K****#4100945 HL Guide-On Carton of Parts 5K**

REF #	PART #	QTY	DESCRIPTION
1	4100560	4	HL GUIDE-ON SUPPORT ASSEMBLY
2	3608028	4	GUIDE-ON UPPER TUBE ASSEMBLY
	<b>3602910</b>	<b>1</b>	<b>GUIDE-ON BAG OF BOLTS 5K</b>
			consisting of:
3	3606921	8	TWO HOLE PLATE 3"
A	5895900	8	3/8 X 3-1/8 X 6-5/8" U-BOLT SQUARE BEND
B	5805898	8	3/8-16 SPRING NUT
C	5896248	8	3/8-16 X 1-1/4" HHCS
D	5896406	16	3/8 WASHER SAE
E	5806243	16	3/8 WASHER SPLIT LOCK
F	5896377	16	3/8-16 HEX NUT
G	5896282	4	1/2-13 X 1-1/2" HHCS
H	5896385	4	1/2-13 SQUARE NUT HD

**#3638225 HL Guide-On Wood Bundle Narrow**

REF #	PART #	QTY	DESCRIPTION
4	3680585	2	GUIDE-ON CARPETED WOOD

**#4110049 HL GUIDE-ON ( TALL/NARROW ) 5K****#4100946 HL Guide-On ( Tall ) Carton of Parts 5K**

REF #	PART #	QTY	DESCRIPTION
1	4100561	4	HL GUIDE-ON SUPPORT ASSEMBLY - TALL
2	3608028	4	GUIDE-ON UPPER TUBE ASSEMBLY
	<b>3602910</b>	<b>1</b>	<b>HL GUIDE-ON BAG OF BOLTS 5K</b>
			consisting of:
3	3606921	8	TWO HOLE PLATE 3"
A	5895900	8	3/8 X 3-1/8 X 6-5/8" U-BOLT SQUARE BEND
B	5805898	8	3/8-16 SPRING NUT
C	5896248	8	3/8-16 X 1-1/4" HHCS
D	5896406	16	3/8 WASHER SAE
E	5806243	16	3/8 WASHER SPLIT LOCK
F	5896377	16	3/8-16 HEX NUT
G	5896282	4	1/2-13 X 1-1/2" HHCS
H	5896385	4	1/2-13 SQUARE NUT HD

**#3638225 HL Guide-On Wood Bundle Narrow**

REF #	PART #	QTY	DESCRIPTION
4	3680585	2	GUIDE-ON CARPETED WOOD

**#4110050 HL GUIDE-ON (TALL) 7K****#4100950 HL Guide-On Carton of Parts (TALL) 7K**

REF #	PART #	QTY	DESCRIPTION
1	4100561	4	HL GUIDE-ON SUPPORT ASSEMBLY
2	3608028	4	GUIDE-ON UPPER TUBE ASSEMBLY
	<b>4100952</b>	<b>1</b>	<b>HL GUIDE-ON BAG OF BOLTS 7K</b>
			consisting of:
3	3606921	8	TWO HOLE PLATE 3"
A	5895901	8	3/8 X 3-1/8 X 8-5/8" U-BOLT SQUARE BEND
B	5805898	8	3/8-16 SPRING NUT
C	5896248	8	3/8-16 X 1-1/4" HHCS
D	5896406	16	3/8 WASHER SAE
E	5806243	16	3/8 WASHER SPLIT LOCK
F	5896377	16	3/8-16 HEX NUT
G	5896282	4	1/2-13 X 1-1/2" HHCS
H	5896385	4	1/2-13 SQUARE NUT HD

**#3603822 Guide-On Wood Bundle**

REF #	PART #	QTY	DESCRIPTION
4	3608058	2	GUIDE-ON CARPETED WOOD

**#4110051 GUIDE-ON ( X-TALL ) 7K****#4100951 HL Guide-On ( X-Tall ) Carton of Parts 7K**

REF #	PART #	QTY	DESCRIPTION
1	4100561	4	HL GUIDE-ON SUPPORT ASSEMBLY - TALL
2	3618028	4	GUIDE-ON UPPER TUBE ASSEMBLY
	<b>4100952</b>	<b>1</b>	<b>HL GUIDE-ON BAG OF BOLTS 7K</b>
			consisting of:
3	3606921	8	TWO HOLE PLATE 3"
A	5895901	8	3/8 X 3-1/8 X 8-5/8" U-BOLT SQUARE BEND
B	5805898	8	3/8-16 SPRING NUT
C	5896248	8	3/8-16 X 1-1/4" HHCS
D	5896406	16	3/8 WASHER SAE
E	5806243	16	3/8 WASHER SPLIT LOCK
F	5896377	16	3/8-16 HEX NUT
G	5896282	4	1/2-13 X 1-1/2" HHCS
H	5896385	4	1/2-13 SQUARE NUT HD

**#3603822 Guide-On Wood Bundle**

REF #	PART #	QTY	DESCRIPTION
4	3608058	2	GUIDE-ON CARPETED WOOD

**#4110052 GUIDE-ON ( TALL/NARROW ) 7K****#4100950 HL Guide-On ( Tall ) Carton of Parts 7K**

REF #	PART #	QTY	DESCRIPTION
1	4100561	4	HL GUIDE-ON SUPPORT ASSEMBLY -TALL
2	3608028	4	GUIDE-ON UPPER TUBE ASSEMBLY
	<b>4100952</b>	<b>1</b>	<b>HL GUIDE-ON BAG OF BOLTS 7K</b>
			consisting of:
3	3606921	8	TWO HOLE PLATE 3"
A	5895901	8	3/8 X 3-1/8 X 8-5/8" U-BOLT SQUARE BEND
B	5805898	8	3/8-16 SPRING NUT
C	5896248	8	3/8-16 X 1-1/4" HHCS
D	5896406	16	3/8 WASHER SAE
E	5806243	16	3/8 WASHER SPLIT LOCK
F	5896377	16	3/8-16 HEX NUT
G	5896282	4	1/2-13 X 1-1/2" HHCS
H	5896385	4	1/2-13 SQUARE NUT HD

**#3638225 Guide-On Wood Bundle Narrow**

REF #	PART #	QTY	DESCRIPTION
4	3680585	2	GUIDE-ON CARPETED WOOD