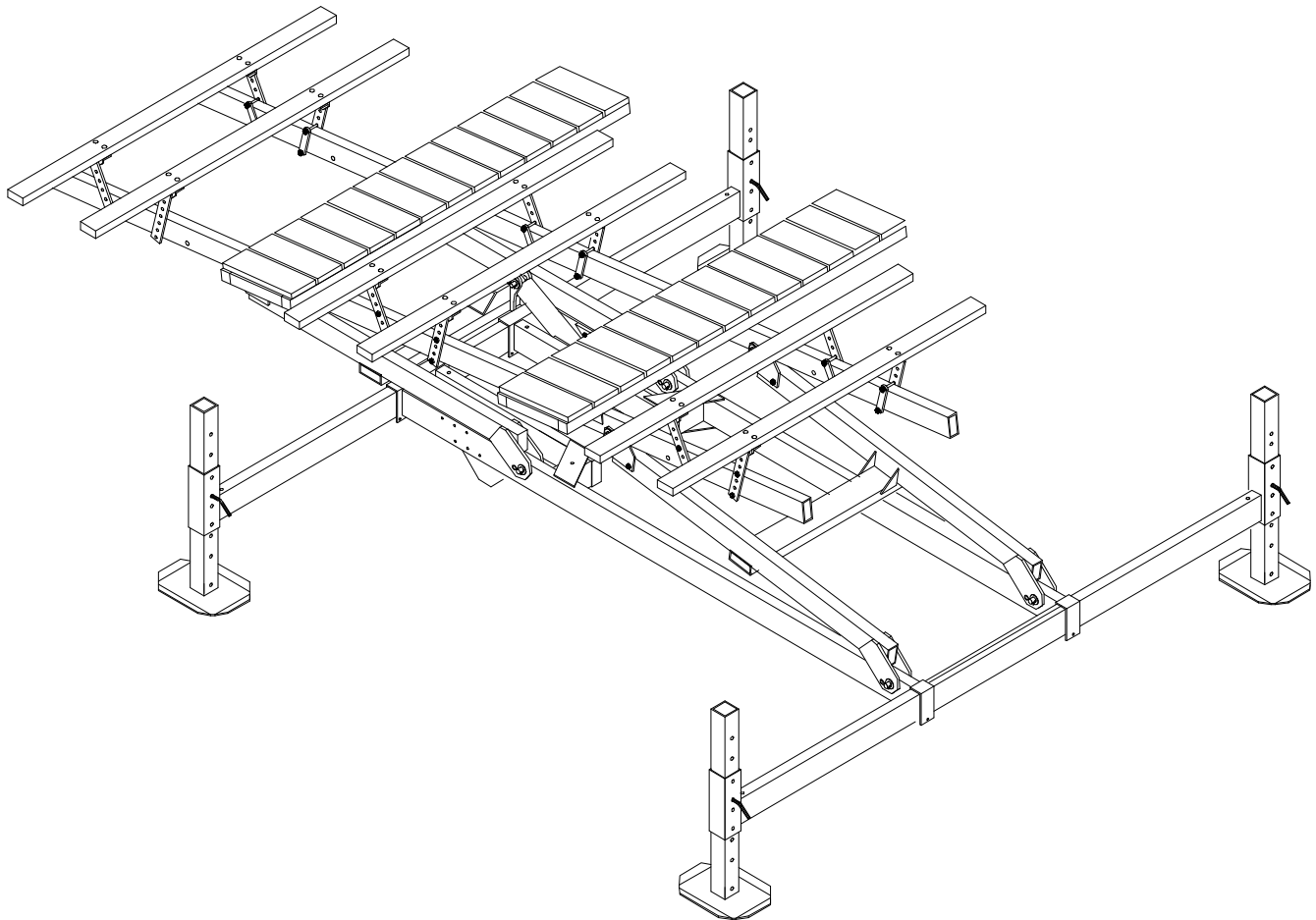




# HL4K (3) JET SKI & DECK INSTRUCTIONS



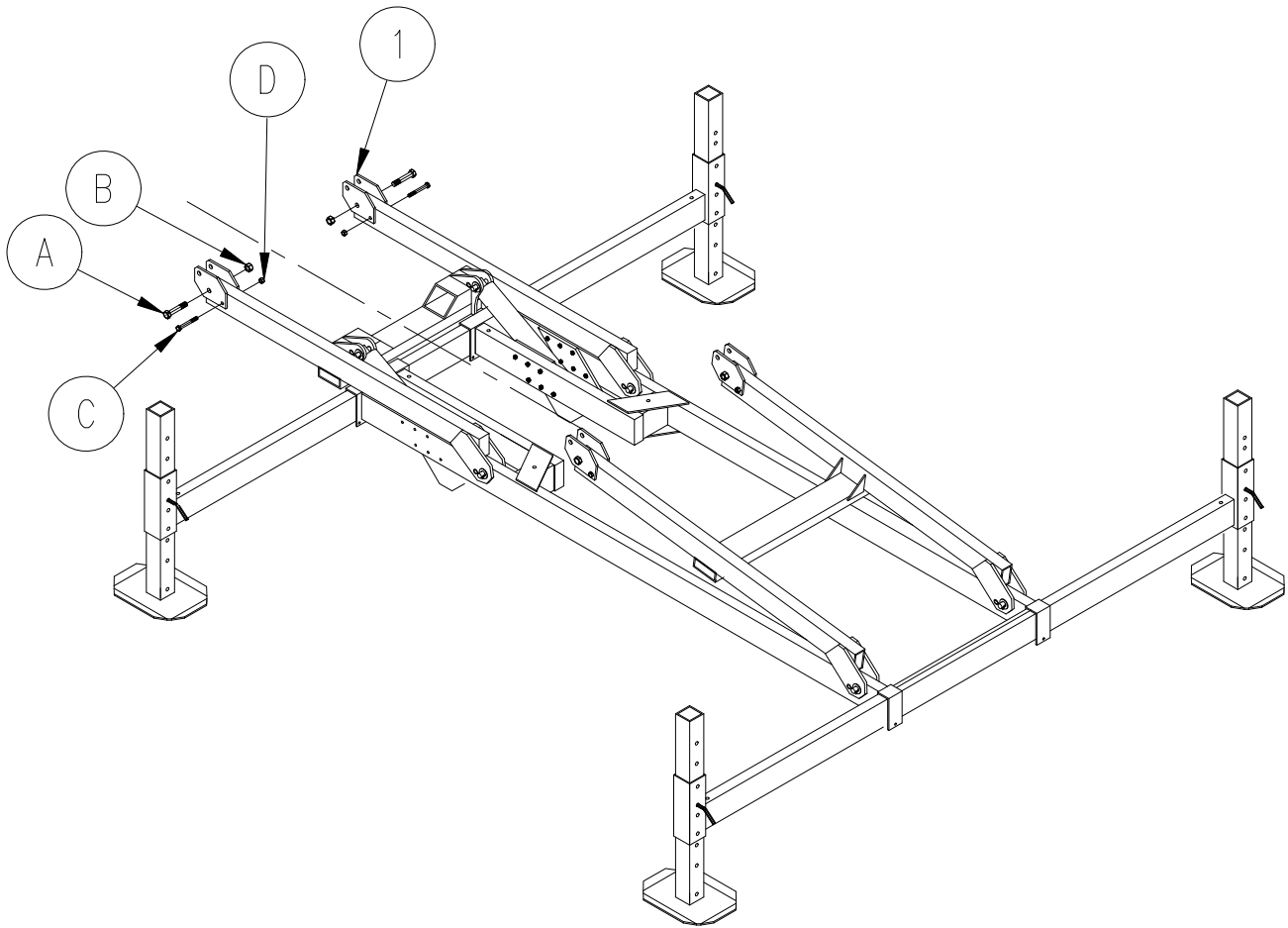
REIMANN & GEORGER CORPORATION  
MARINE PRODUCTS  
P/N 6114168

BUFFALO, NY  
04/06/09

## HL4K TRIPLE PWC & DECK INSTALLATION

### ***STEP 1***

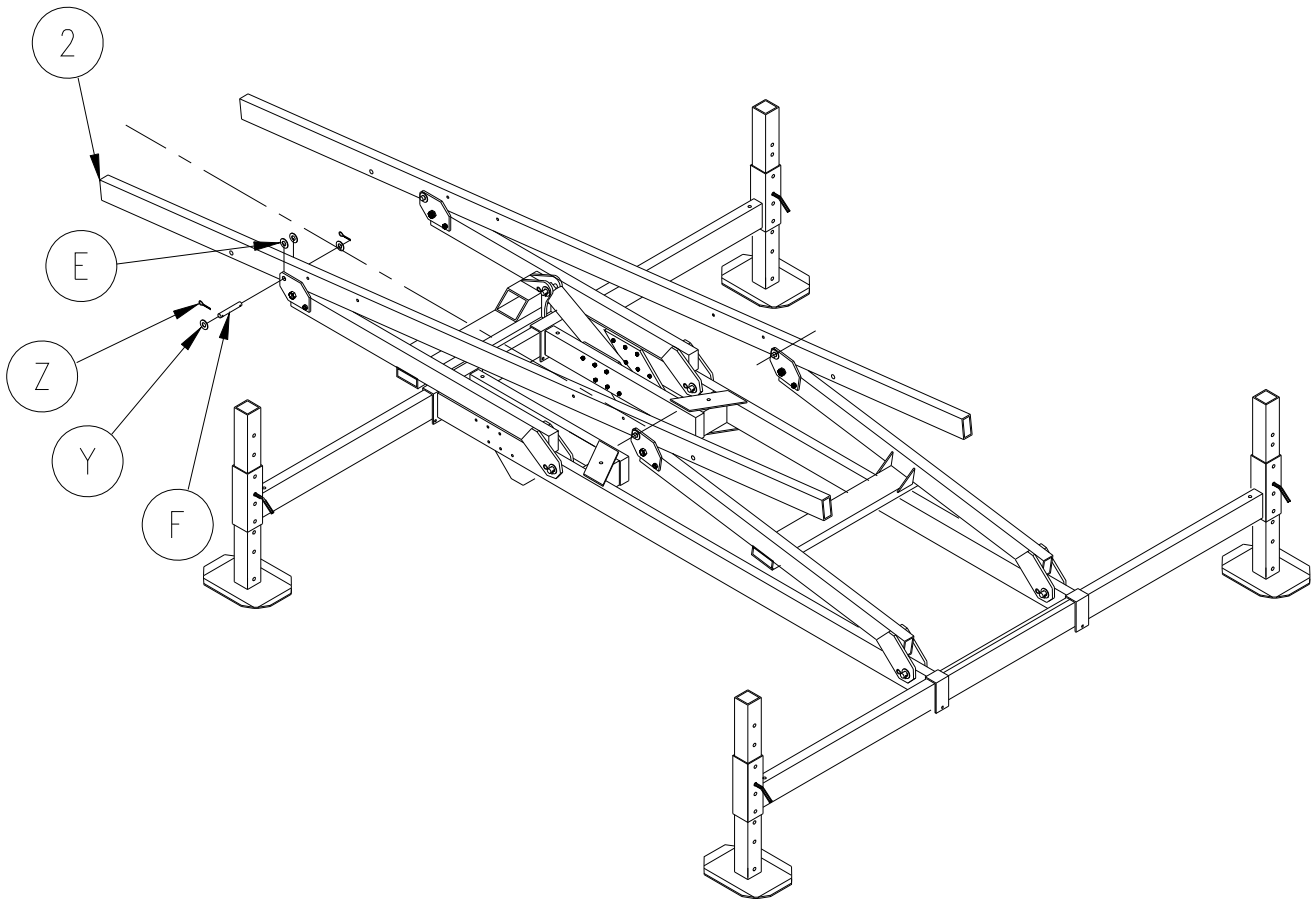
1. Install the liftarm support plates (detail 1) to the end of the liftarm. Use the 3/4-10 bolt (detail A) & nut (detail B). Drill 17/32" clearance holes into the liftarm to mount the support plate. Use 1/2-13 bolt (detail C) & nut (detail D).



## HL4K TRIPLE PWC & DECK INSTALLATION

### ***STEP 2***

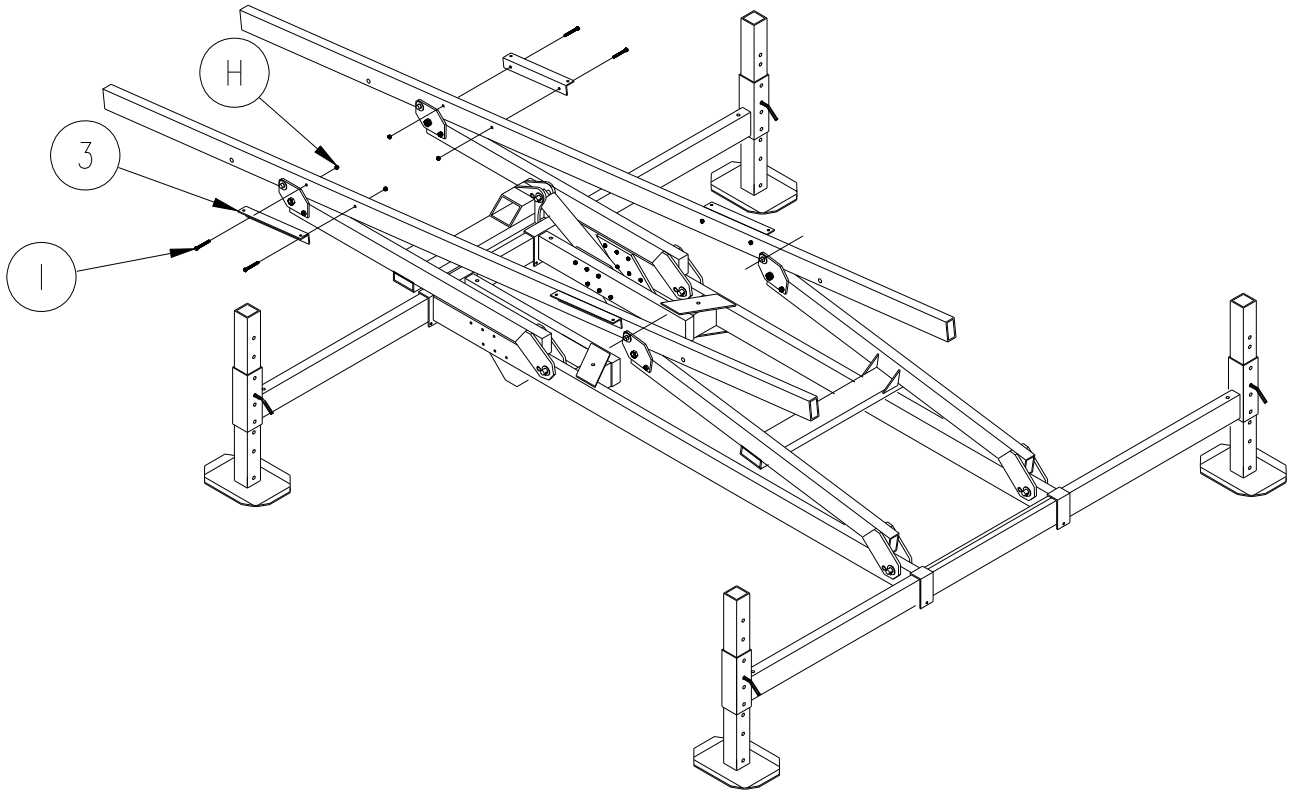
1. Install the PWC support tube onto the liftarms. Use 3/4" diameter pivot pins (detail F). Install nylon washers (detail E) between the support tube and the support plates. Install flat washer (detail Y) & cotter pin (detail Z) to both ends of the pivot pins.



## HL4K TRIPLE PWC & DECK INSTALLATION

### ***STEP 3***

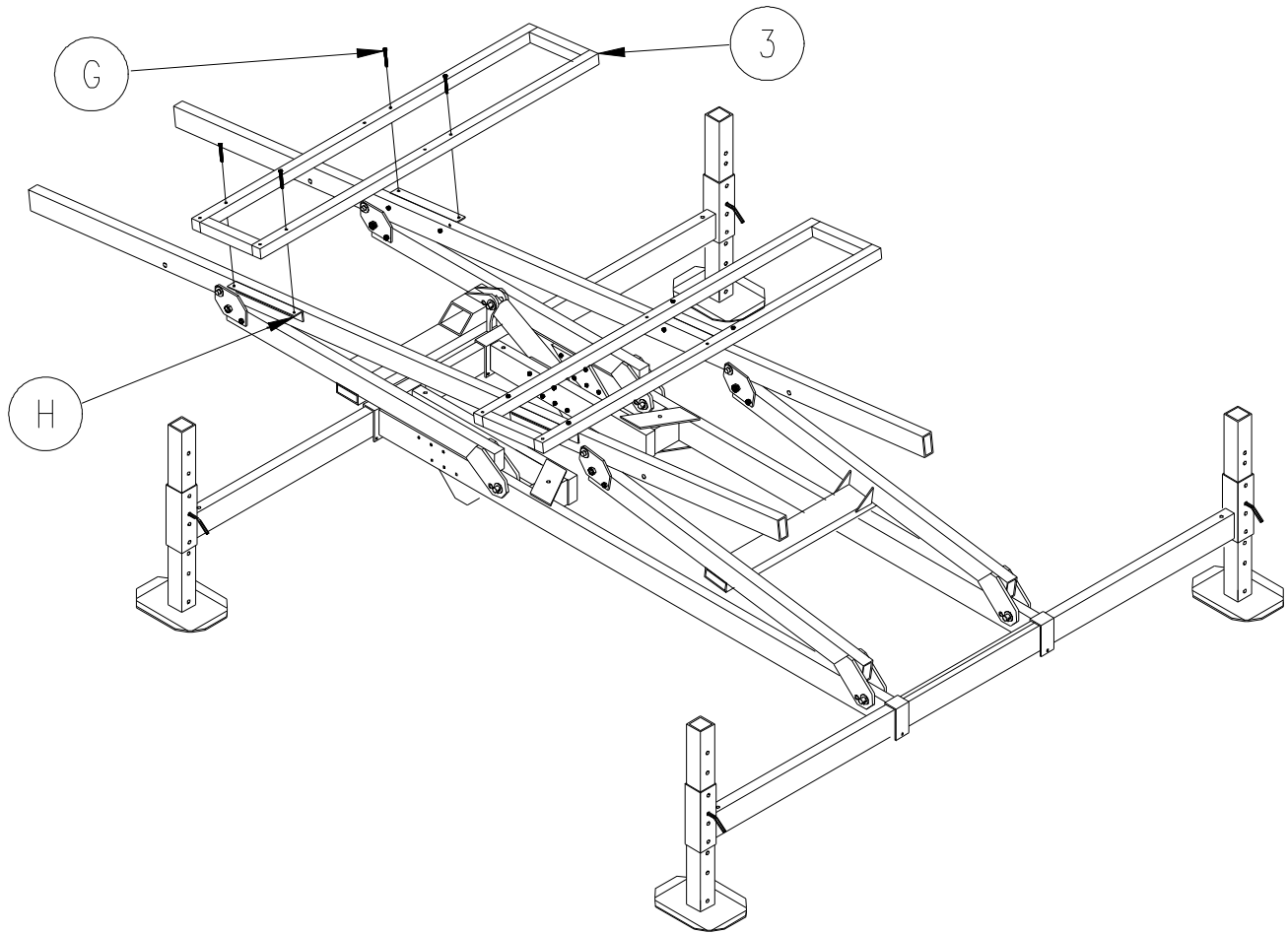
1. Install the deck mounting angles (detail 3) to the support tube. Use 3/8-16 bolts (detail I) & nuts (details H).



## HL4K TRIPLE PWC & DECK INSTALLATION

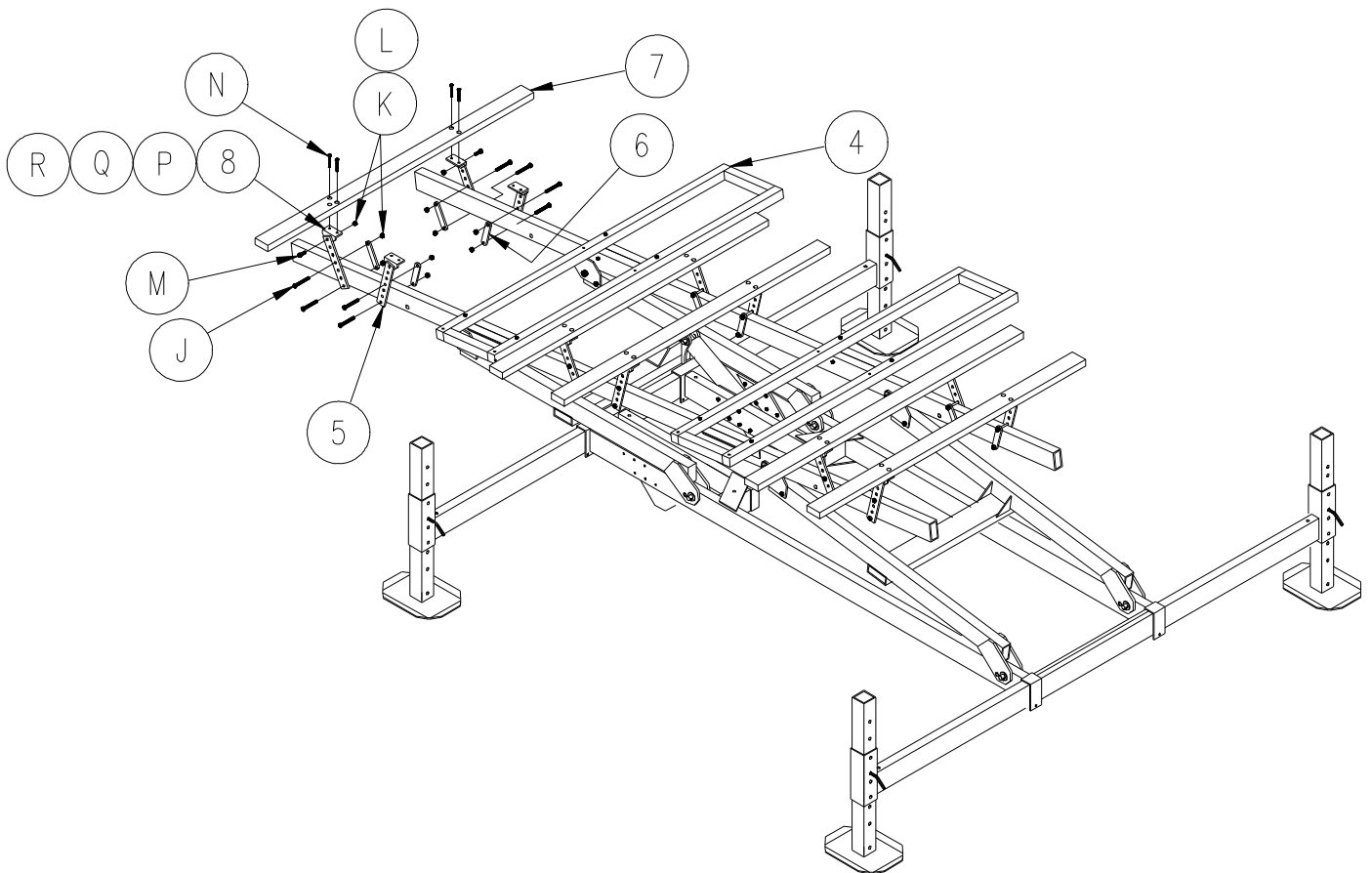
### ***STEP 4***

1. Install the deck frame (detail 4) to the support tube. Use 3/8-16 bolts (detail G) & nuts (details H).
2. Decking is not supplied with kit. Use suitable decking material to the deck frame.



## STEP 5

1. Install the bunk cradle brackets (detail 5) to the support tube. Use 1/2-13 bolts (detail J) & lock washer (detail L) and nuts (detail K). Do not tighten the bolts so that bunks can be adjusted at a later time.
2. Install bunk mounting angle (detail 8) to the bunk cradle brackets. Use 1/2-13 bolts (detail M) & lock washer (detail L) and nuts (detail K). Do not tighten the bolts so that bunks can be adjusted at a later time.
3. Install the bunks onto the lift using the 3/8-16 x 2-1/2" carriage bolts (detail N), flat washer (detail P) lock washer (detail Q) & nut (detail R).
4. Set the pivoting bunks on the lift to fit your PWC watercraft. Then tighten all fasteners before



## HL4K JET SKI PARTS LIST

Each reference number or letter in the following parts lists can be matched with the reference number or letter referred to in the illustrations of the instruction manual.

### HL4K (3) PWC W/ DECK

REF #	PART #	QTY	DESCRIPTION
1	4107---	8	HL4K/PWC - LIFTARM PIVOT PLATE
2	4107---	2	HL4K/PWC - RACK SUPPORT TUBE
3	4107---	4	HL4K/PWC - DECK MTG ANGLE
4	4107---	2	HL4K/PWC - DECK WELDMENT 16" X 78"
5	4107---	12	HL4K/PWC - CRADLE BRACKET FLAT 11"
6	4107---	12	2-HOLE PLATE 4-7/8"
7	4107---	6	HL4K/PWC BUNK 2-HOLE 6'
8	4107---	12	HL4K/PWC BUNK PIVOT ANGLE
	<b>4107---</b>	<b>1</b>	<b>HL4K/PWC W/DECK BAG OF BOLTS</b> consisting of:
A	5896184	4	3/4-10 X 4-1/2 HHCS
B	5897014	4	3/4-10 NYLOCK HEX NUT
C	5896291	4	1/2-13 X 4 HHCS
D	5897018	4	1/2-13 NYLOCK HEX NUT
E	4107937	8	1-3/4 X 25/32 X 1/8 NYLON WASHER
F	4107914	4	3/4 X 4-3/8 BUNK CLEVIS PIN
G	5896255	8	3/8-16 X 3 HHCS
H	5897016	16	3/8-16 NYLOCK HEX NUT
I	5896253	8	3/8-16 X 2-1/2 HHCS
J	5896288	24	1/2-13 X 3 HHCS
K	5803612	36	1/2-13 HEX NUT SILICONE BRONZE
L	5806244	36	1/2 SPLIT LOCK WASHER
M	5896282	12	1/2-13 X 1-1/2 HHCS
N	5896323	24	3/8-16 X 2-1/2 CARRIAGE BOLT
P	5896406	24	3/8" SAE FLAT WASHER
Q	5806243	24	3/8" SPLIT LOCK WASHER
R	5896377	24	3/8" HEX NUT
Y	5896417	8	3/4 SAE WASHER
Z	5894108	8	5/32 X 1-3/4 COTTER PIN