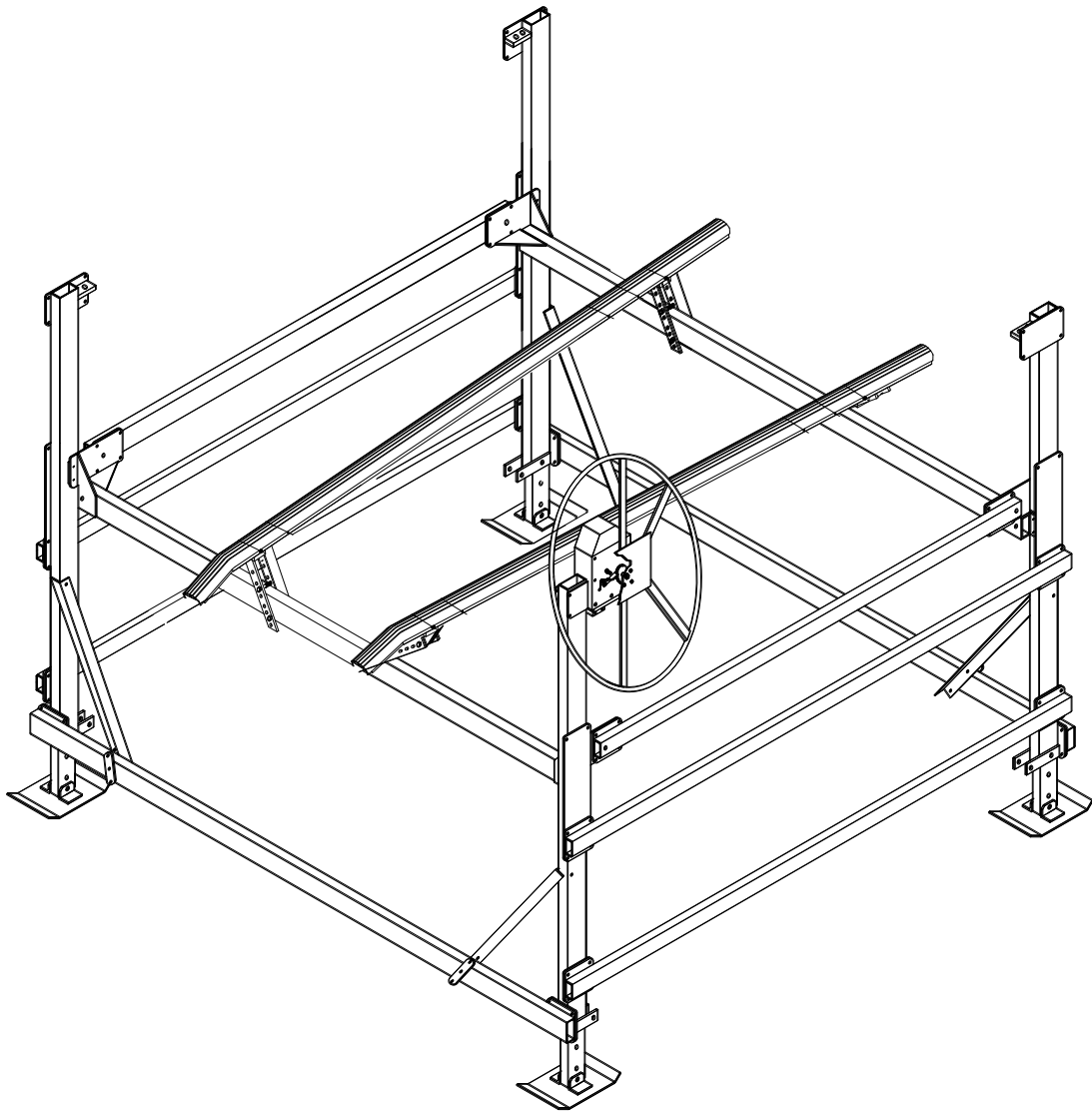




VL ALUM/VINYL BUNK INSTRUCTIONS



REIMANN & GEORGER CORPORATION
MARINE PRODUCTS
P/N 6112078

BUFFALO, NY
05/14/09

VL ALUMINUM/ VINYL BUNKS
INSTALLATION

STEP #1

The aluminum/vinyl bunk has five mounting holes to fit onto VL1.6K to VL8K lifts. See figure 3-1 for mounting hole layout.

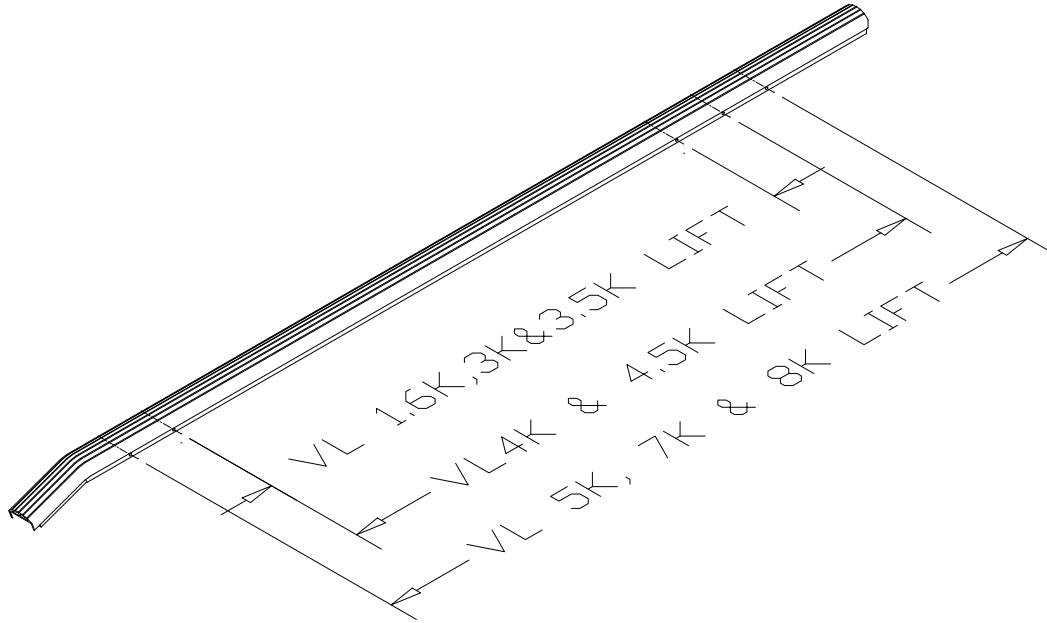


Figure 3-1
Alum/Vinyl Bunk Mounting Hole Layout

STEP #2

Mounting the Pivot blocks onto the alum/vinyl bunk. See figure 3-2.

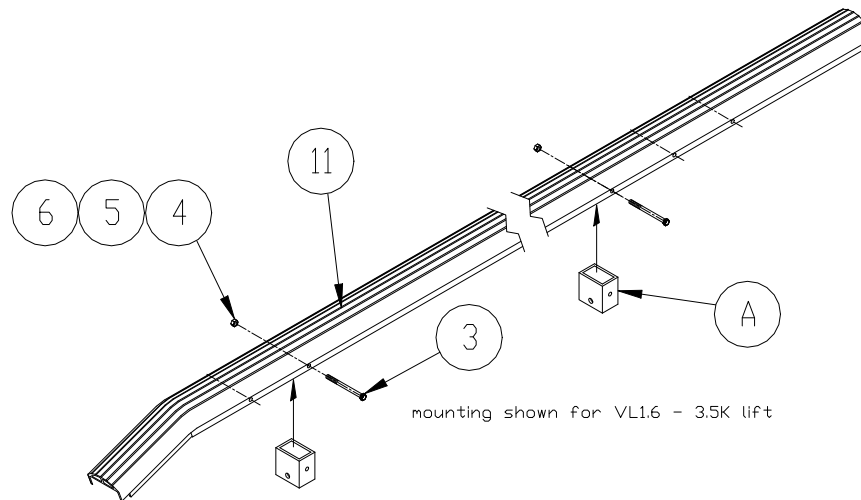


Figure 3-2
VL 1.6K – 3.5K Alum/Vinyl Bunk

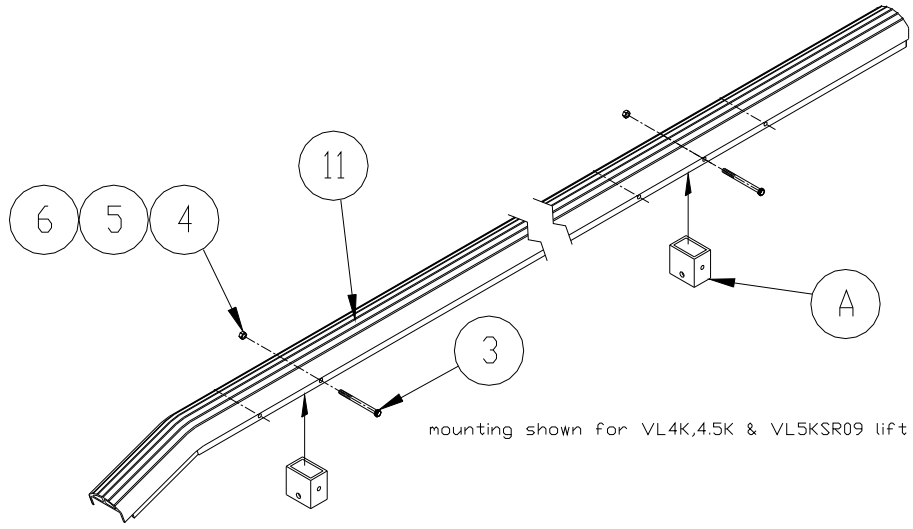


Figure 3-3
VL 4K, 4.5K & 5K SR 09 Alum/Vinyl Bunk

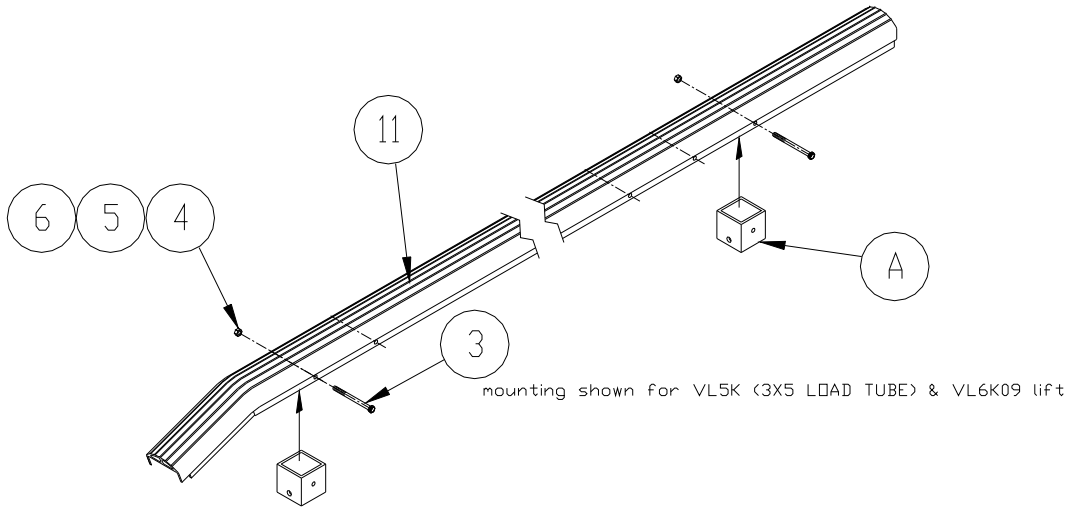


Figure 3-4
VL 5K (3x5 load tube) & 6K 09 Alum/Vinyl Bunk

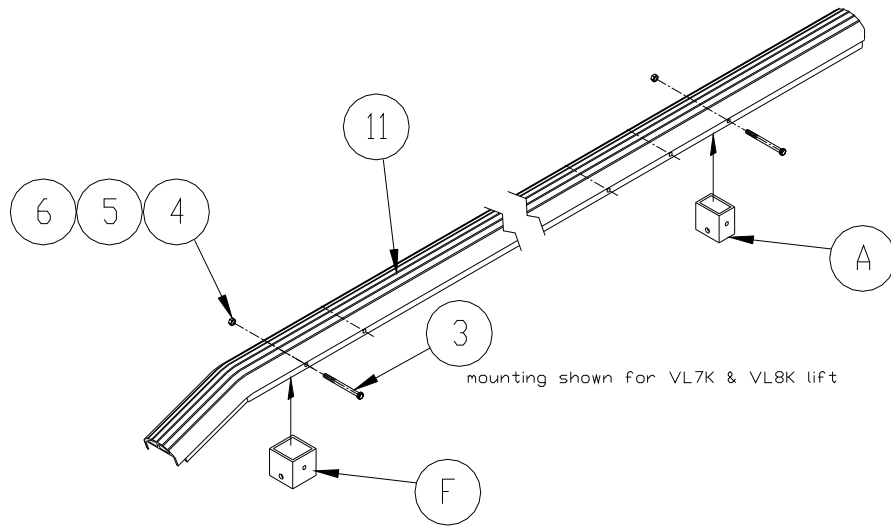


Figure 3-5
VL 7K & 8K Alum/Vinyl Bunk

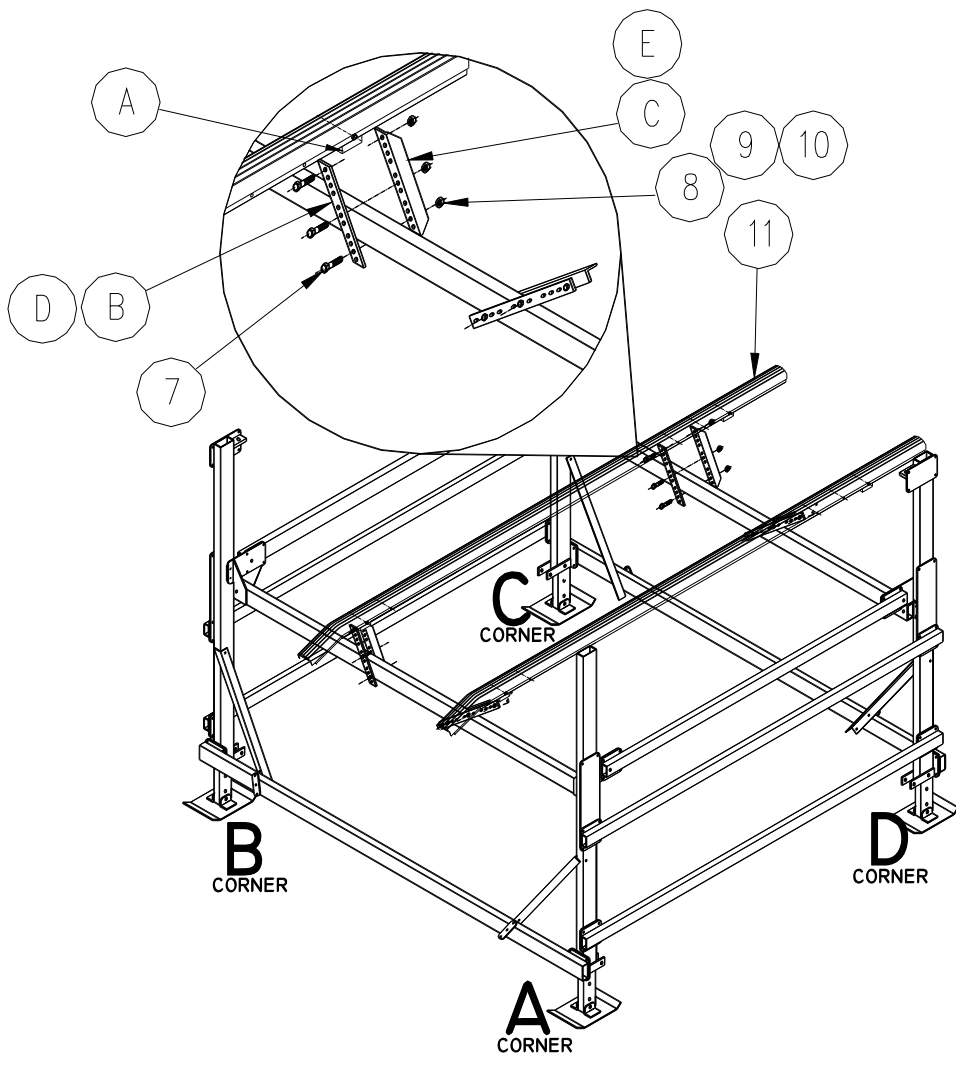


Figure 3-6
VL Alum/Vinyl Bunk Assembly

VL ALUM/VINYL BUNK PARTS LIST

Each reference number or letter in the following parts lists can be matched with the reference number or letter referred to in the illustrations of the instruction manual.



WARNING:

FAILURE TO APPLY A SUITABLE LUBRICANT TO THE MATING SURFACES OF STAINLESS STEEL THREADED FASTENERS MAY CAUSE GALLING AND/OR SEIZING OF ASSEMBLY.

#3636005 VL ALUM/VINYL BUNK KIT 1.6 – 4.5K & 5KSR09

#3636204 VL Alum/Vinyl Bunk Carton of Parts 1.6-4.5K & 5K SR 09

REF #	PART #	QTY	DESCRIPTION
A	3636608	4	AL BUNK 2"PIVOT MNT TUBE
B	3603937	4	VL CRADLE BRKT FLAT 15-7/8
C	3603938	4	CRADLE BRKT ANG 15 7/8
	3636306	1	VL ALUM/VINYL BUNK S.S. BOB 1.6-4.5K & 5K SR 09 consisting of:
3	5896262	4	3/8-16 x 4-1/2" HHCS
4	5896406	4	3/8 WASHER SAE
5	5806243	4	3/8 WASHER SPLIT LOCK
6	5896377	4	3/8-16 HEX NUT
7	5896290	12	1/2-13 x 3-1/2" HHCS
8	5896400	12	1/2 WASHER SAE
9	5806244	12	1/2 WASHER SPLIT LOCK
10	5803612	12	1/2-13 NUT HEX –SILICON BRONZE

#3636108 VL 1.6-8K Alum/Vinyl Bunk Bundle

REF #	PART #	QTY	DESCRIPTION
11	3636405	2	VL 1.6-7K BUNK ASSY

#3636030 VL ALUM/VINYL BUNK KIT (TALL) 1.6 – 4.5K & 5K SR 09

#3636216 VL Alum/Vinyl Bunk (Tall) Carton of Parts 1.6-4.5K & 5K SR 09 (2x5 load tube)

REF #	PART #	QTY	DESCRIPTION
A	3636608	4	AL BUNK 2"PIVOT MNT TUBE
D	3693701	4	VL CRADLE BRKT FLAT 22 3/8
E	3693801	4	CRADLE BRKT ANG 22 3/8
	3636306	1	VL ALUM/VINYL BUNK S.S. BOB 1.6-4.5K & 5K SR 09 consisting of:
3	5896262	4	3/8-16 x 4-1/2" HHCS
4	5896406	4	3/8 WASHER SAE
5	5806243	4	3/8 WASHER SPLIT LOCK
6	5896377	4	3/8-16 HEX NUT
7	5896290	12	1/2-13 x 3-1/2" HHCS
8	5896400	12	1/2 WASHER SAE
9	5806244	12	1/2 WASHER SPLIT LOCK
10	5803612	12	1/2-13 NUT HEX –SILICON BRONZE

#3636108 VL 1.6-8K Alum/Vinyl Bunk Bundle

REF #	PART #	QTY	DESCRIPTION
11	3636405	2	VL 1.6-7K BUNK ASSY

#3636015 VL ALUM/VINYL BUNK KIT 5K (3x5 load tubes) 6K 09**#3636208 VL Alum/Vinyl Bunk Carton of Parts 5K (3 x 5 load tube) 6K 09**

REF #	PART #	QTY	DESCRIPTION
F	3636612	4	AL BUNK 3" PIVOT MNT TUBE
E	3693801	8	CRADLE BRKT ANG 22 3/8
	3636312	1	ALUM/VINYL BUNK S.S. BOB 5K(3 x 5 load tube) 6K 09 consisting of:
3	5896262	4	3/8-16 x 4-1/2" HHCS
4	5896406	4	3/8 WASHER SAE
5	5806243	4	3/8 WASHER SPLIT LOCK
6	5896377	4	3/8-16 HEX NUT
13	5896293	12	1/2-13 x 4-1/2" HHCS
8	5896400	12	1/2 WASHER SAE
9	5806244	12	1/2 WASHER SPLIT LOCK
10	5803612	12	1/2-13 NUT HEX –SILICON BRONZE

#3636108 VL 1.6-8K Alum/Vinyl Bunk Bundle

REF #	PART #	QTY	DESCRIPTION
11	3636405	2	VL 1.6-8K BUNK ASSY

#3636035 VL ALUM/VINYL BUNK KIT 5K (3x5 load tube) & 6K 09 TALL**#3636220 VL Alum/Vinyl Bunk Carton of Parts 5K (3x5 load tube) & 6K 09**

REF #	PART #	QTY	DESCRIPTION
F	3636612	4	AL BUNK 3" PIVOT MNT TUBE
E	3693801	8	CRADLE BRKT ANG 22 3/8
	3636312	1	ALUM/VINYL BUNK S.S. BOB 5K (3x5 load tube) & 6K 09 consisting of:
3	5896262	4	3/8-16 x 4-1/2" HHCS
4	5896406	4	3/8 WASHER SAE
5	5806243	4	3/8 WASHER SPLIT LOCK
6	5896377	4	3/8-16 HEX NUT
13	5896293	12	1/2-13 x 4-1/2" HHCS
8	5896400	12	1/2 WASHER SAE
9	5806244	12	1/2 WASHER SPLIT LOCK
10	5803612	12	1/2-13 NUT HEX –SILICON BRONZE

#3636108 VL 1.6-8K Alum/Vinyl Bunk Bundle

REF #	PART #	QTY	DESCRIPTION
11	3636405	2	VL1.6-8K BUNK ASSY

#3670620 VL PIVOT BUNKS DBL 7K-8K

#3636212 VL Bunk (DBL) Carton of Parts 7K -8K

REF #	PART #	QTY	DESCRIPTION
F	3636612	4	AL BUNK 3" PIVOT MNT TUBE
A	3636608	4	AL BUNK 2"PIVOT MNT TUBE
E	3693801	8	CRADLE BRKT ANG 22 3/8
C	3603938	8	CRADLE BRKT ANG 15 7/8
	3636318	1	ALUM/VINYL BUNK (DBL) S.S. BOB 7K-8K consisting of:
3	5896262	8	3/8-16 x 4-1/2" HHCS
4	5896406	8	3/8 WASHER SAE
5	5806243	8	3/8 WASHER SPLIT LOCK
6	5896377	8	3/8-16 HEX NUT
13	5896293	12	1/2-13 x 4-1/2" HHCS
7	5896290	12	1/2-13 x 3-1/2" HHCS
8	5896400	24	1/2 WASHER SAE
9	5806244	24	1/2 WASHER SPLIT LOCK
10	5803612	24	1/2-13 NUT HEX -SILICON BRONZE

#3636108 VL 1.6-8K Alum/Vinyl Bunk Bundle (2 bundles)

REF #	PART #	QTY	DESCRIPTION
11	3636405	4	VL 1.6-8K BUNK ASSY