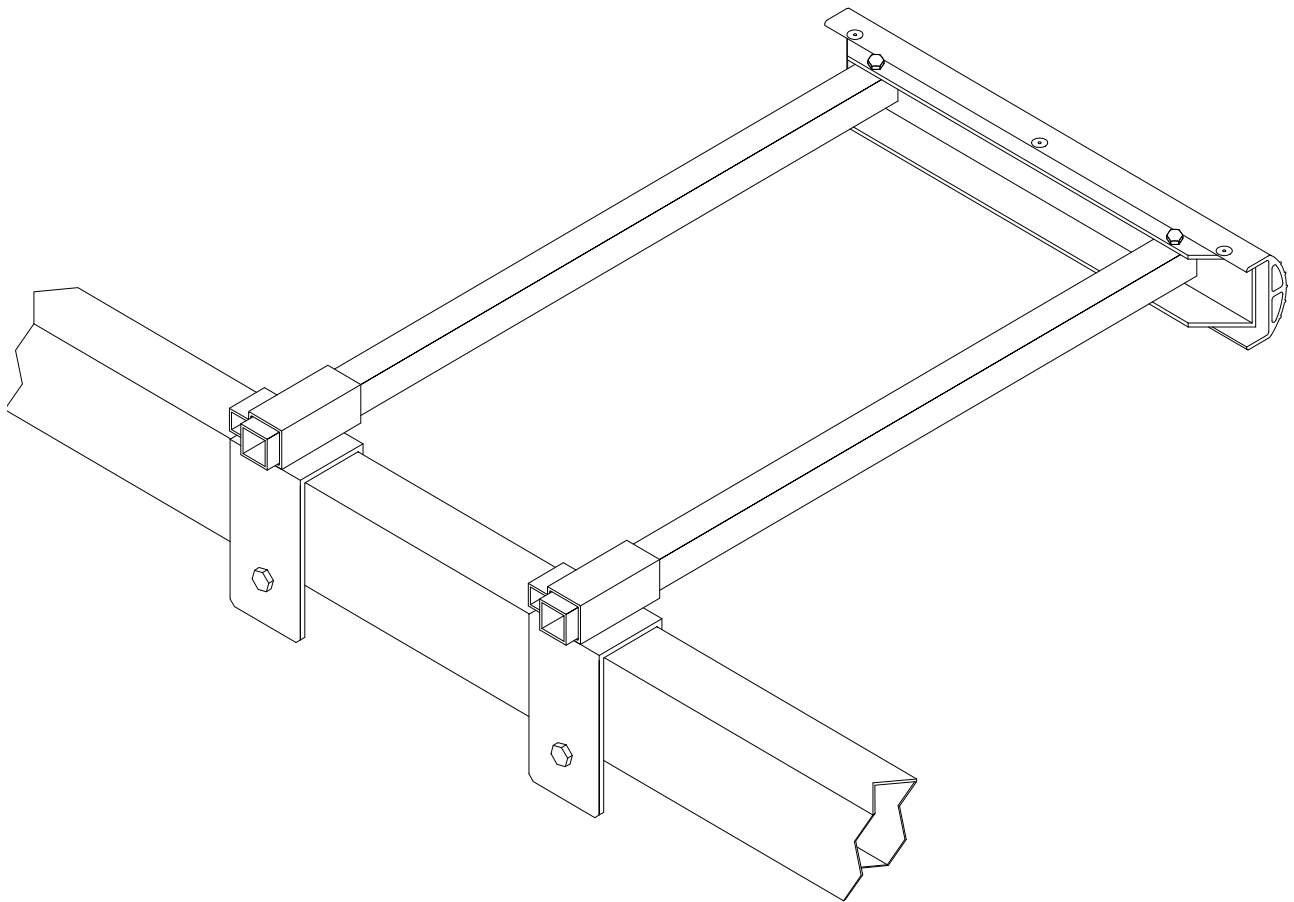




VL/HVL VINYL MOTOR STOP INSTRUCTIONS



REIMANN & GEORGER CORPORATION
MARINE PRODUCTS
P/N 6112122

BUFFALO, NY
6/11/09

1 SAFETY

1.1 INTRODUCTION

Your Reimann & Georger Corporation Marine Products Motor Stop kit is designed to aid in proper positioning of boats on the lift. Your Motor Stop kit is well-designed and well-built. However, like any other equipment, it can malfunction or become hazardous in the hands of an inexperienced and/or untrained user. Therefore, read this manual and your related Lift manual and related equipment manuals thoroughly before installing this kit and operating your lift to provide maximum safety for all operating personnel, and to get the maximum benefit from your equipment.

1.2 SAFETY DEFINITIONS

A safety message alerts you to potential hazards that could hurt you or others or cause property damage. The safety messages or signal words for product safety signs are **DANGER**, **WARNING**, and **CAUTION**. Each safety message is preceded by a safety alert symbol and is defined as follows:

DANGER: Indicates an imminently hazardous situation which, if not avoided, **will** cause death or serious injury. This safety message is limited to the most extreme situations.

WARNING: Indicates a potentially hazardous situation which, if not avoided, **could** result in death or serious injury.

CAUTION: Indicates a potentially hazardous situation which, if not avoided, **may** result in minor or moderate injury. It may also be used to alert against unsafe practices and property-damage-only accidents.

1.3 EQUIPMENT SAFETY LABELS

These labels warn you of potential hazards that could cause injury. Read them carefully. If a label comes off or becomes illegible, contact a Reimann & Georger Corporation dealer for a replacement.

1.4 SAFETY RULES



WARNING:

DO NOT INSTALL THIS KIT BEFORE READING THIS MANUAL AND YOU LIFT MANUAL. FAILURE TO DO THIS COULD LEAD TO EQUIPMENT MISUSE WITH RESULTING DAMAGE AND/OR SERIOUS PERSONAL INJURY. CONTACT YOUR RGC® MARINE DEALER IF YOU HAVE ANY QUESTIONS.

1. Do not install this kit without first replacing any damaged or defective parts.
2. The motor stop does not increase the rated capacity of the lift. Never use the lift beyond its rated capacity. This can damage the kit assembly, lift, and/or boat with resulting serious personal injury.
3. Never try using any part of this kit in an application for which it was not designed.
4. Do not weld or otherwise modify any part of this kit. Such alterations may weaken the structural integrity of the lift and void the warranty.
5. Do not try installing the motor stop with the weight of the boat on the lift. This can cause equipment damage and/or personal injury.
6. The following precautions must be observed when lifting any part of this equipment:
 - a. Be sure of your footing.
 - b. Bend your knees and lift with your legs.
 - c. Hold the equipment section close to your body when lifting.
7. After the motor stop is installed, the safety checks in Steps 8 through 25 must be performed on your lift prior to operation. Details on these checks are given in your lift manual.
8. Before allowing anyone to operate the lift, be sure they fully understand the proper operating procedure.

9. Do not operate the lift under the influence of drugs, alcohol, or medication.
10. Keep people and pets clear during operation of the lift.
11. Keep fingers and clothing clear of all moving parts.
12. Never allow people in the boat any time it is suspended above the water on the platform.



WARNING:

**DO NOT STAND OR WALK ON THE PLATFORM WHILE IT IS IN ANY RAISED POSITION.
THIS CAN CAUSE SERIOUS PERSONAL INJURY.**

13. Do not allow anyone to swim or play under, near or on the lift at any time.
14. Insure that all bolts and nuts are fastened securely on both this kit and the lift prior to operation.
15. Insure that the frame is level and square.
16. Completely remove any user or dealer installed locking devices before operating the lift.
17. The boat must be secured on the lift before raising or lowering. Failure to do this can cause equipment damage and/or serious personal injury.
18. Do not try making any adjustments on the lift during operation.
19. Never use the lift to hang or store any auxiliary equipment such as boating hardware.
20. At end of operation, secure the control box and the lift to prevent unauthorized use. Never assume you will find the equipment in the same condition in which you left it.
21. Never operate the remote control or hydraulic power unit when connecting or disconnecting hydraulic hoses.

2 INSTALLATION AND SET UP

2.1 PRE-INSTALLATION CHECKS

1. Do not assemble this kit or any other component of the lift if any part appears to be damaged.
2. Do not weld or other wise modify any portion of the lift. Such alterations may weaken the structural integrity of the lift and void the warranty.
3. This product has been supplied with stainless steel hardware to protect against a harsh marine environment and provide outstanding performance. Due to the chemistry and surface condition of stainless steel, there is a natural tendency for the hardware to “gall, lock up, or seize” during assembly. To prevent this from occurring, it is **highly recommended** that the anti-seize supplied in the hardware bag be applied to the mating surfaces of all stainless steel fasteners before assembly. Lubricants containing molybdenum disulfide, graphite, mica or talc may also be used.



CAUTION:

DO NOT EXCEED THE MAXIMUM TORQUE RATING ON ALL BOLTS OF 20 FT-LBS.



WARNING:

FAILURE TO APPLY A SUITABLE LUBRICANT TO THE MATING SURFACES OF STAINLESS STEEL THREADED FASTENERS MAY CAUSE GALLING AND/OR SEIZING OF ASSEMBLY.

2.2 PRIOR TO SETUP

The part reference letters used in the assembly section 2.3 are the same as those shown in Figure 2-1 and listed in the parts lists of Chapter 4.

2.3 MOTOR STOP INSTALLATION

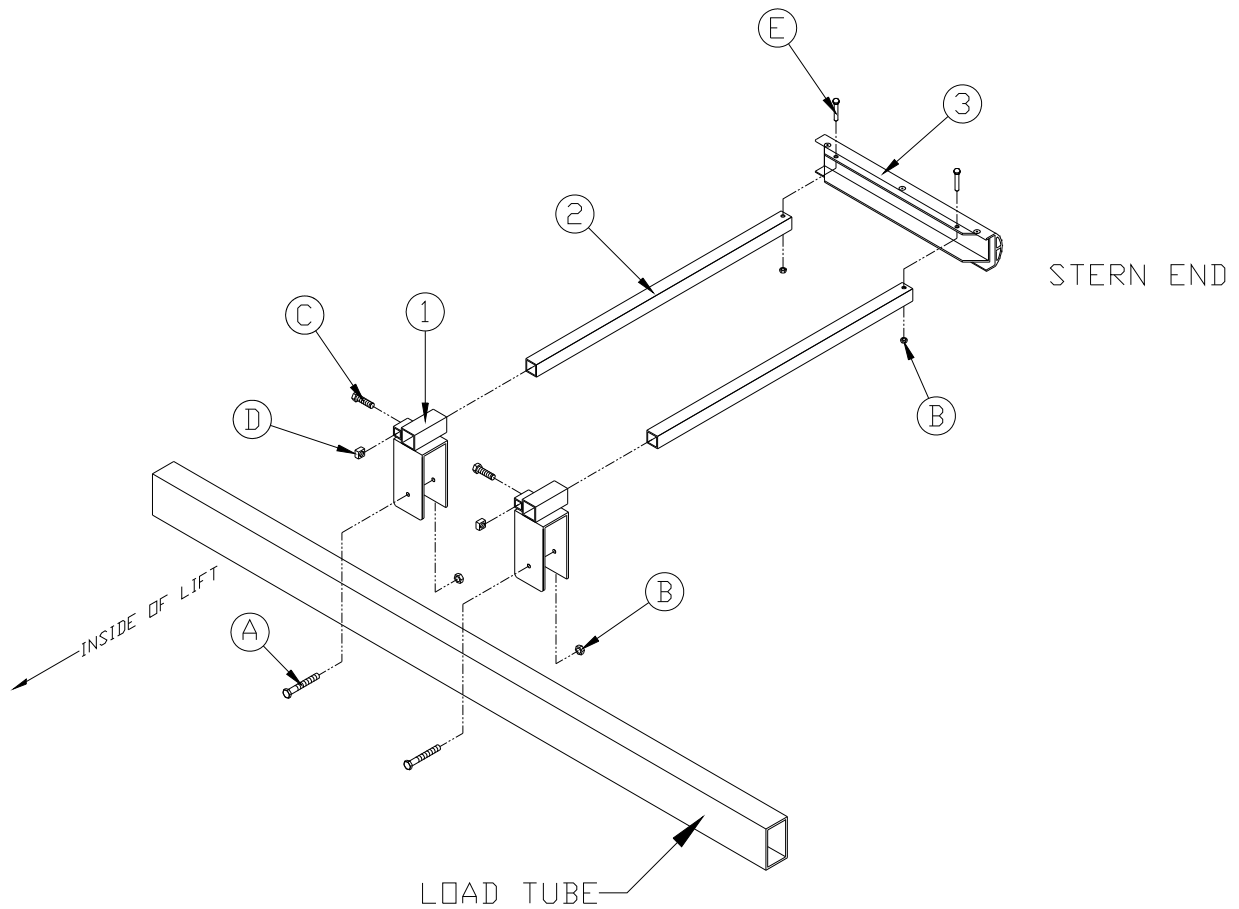
1. **Refer to Figure 2-1.** Attach motor stop mounting bracket (1) to the load tube of the lift as shown in Figure 2-1. Loosely place the bolts and nuts onto the bracket.
2. Fasten the mounting tubes (2) to the bumper assembly (3) using the hardware as shown in Figure 2-1.
3. Line up the mounting tubes to the mounting brackets on the load tube. Make sure that the bumper assembly is mounted on the stern end of the lift. Slide the tubes in to the desired position and loosely tighten the bolt and capture nut (C and D).

2.4 ADJUSTING MOTOR STOP

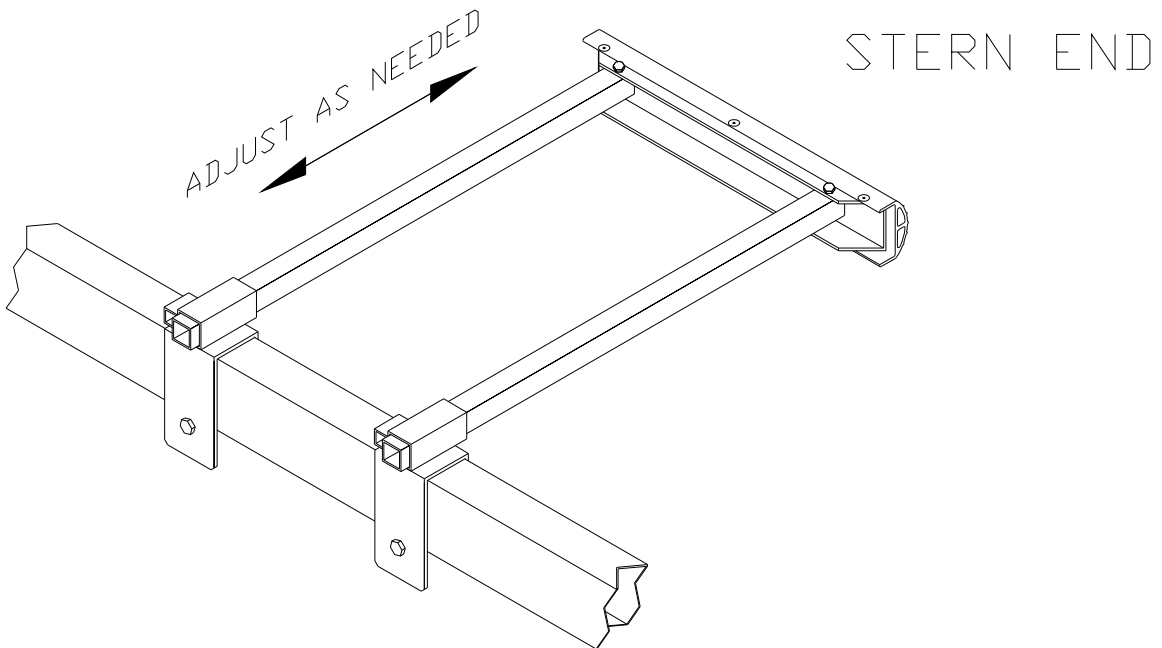
1. Determine location of motor stop by measuring distance between motor and side of boat.
2. Use this information to locate motor stop from side to side on lift.
3. Slide motor stop bumper in closer, or further away, from lifting carriage as needed to maintain boats balance point on lift.

NOTE: THE BOAT'S WEIGHT MUST REMAIN CENTERED ON BOAT LIFT AT ALL TIMES.

4. Once motor stop is properly positioned, tighten all fasteners.



Motor Stop Assembly
Figure 2-1



Motor Stop Adjustment
Figure 2-2

3 INSPECTION AND MAINTENANCE

3.1 GENERAL MAINTENANCE RULES

1. Do not allow persons other than authorized service personnel to repair this equipment.
2. Inspect bumpers regularly for deterioration. Replace them immediately if they are worn.
3. Do not weld or otherwise modify the lift. Such alterations may weaken the structural integrity of the lift and invalidate your warranty.
4. Completely lower the lift before performing any type of maintenance or repair.



WARNING:

NEVER ALLOW ANYBODY TO WORK IN OR ON THE BOAT WHEN IT IS SUSPENDED ABOVE THE WATER ON THE LIFT.

3.2 ANNUAL INSPECTION

At least once a year, the lift must be thoroughly inspected using the following procedure.



WARNING:

DO NOT ALLOW ANYBODY TO USE THE LIFT UNTIL THIS MAINTENANCE IS COMPLETED.

1. Tighten all bolts.
2. Check all carpeted wood bumpers and wood bunks for any damage, deterioration, or excessive wear. If any is found, replace them immediately.
3. Check frame thoroughly for defects.

3.3 STORAGE PROCEDURE

1. Position boat on platform so the lower unit of the motor is against the motor stop.
2. A boat that has water in it from a rain storm could exceed the recommended weight capacity for the lift. Just 1 gallon of water weighs over 8 pounds. Be sure to remove the plug while the boat is up on the lift.

NOTE: Make sure you replace the plug prior to launching your boat.

3. Protect your lift as far as possible from damage caused by environmental factors such as airborne fallout, chemicals, tree sap, and weather hazards.
4. Never use the lift to hang or store any auxiliary equipment such as boating hardware.
5. Do not allow anyone to swim or play near the lift at any time.

4 PARTS LISTS



WARNING:

FAILURE TO APPLY A SUITABLE LUBRICANT TO THE MATING SURFACES OF STAINLESS STEEL THREADED FASTENERS MAY CAUSE GALLING AND/OR SEIZING OF ASSEMBLY.

4.1 #3600705 HVL4-5K/VL2-5K MOTOR STOP 3'

Reference	Part Number	Quantity	Description
1	3600740	2	HVL/VL MOTOR STOP MTG BRKT 2 X 5
2	3403767	2	PWC EXT LEG 3'
3	3600135	1	VINYL MOTOR STOP ASSY
	3600721	1	MOTOR STOP BOB VL 2-5K (SEE SECTION 4.4)

4.2 #3600710 HVL7K/VL8-10K MOTOR STOP 3'

Reference	Part Number	Quantity	Description
1	3600750	2	HVL/VL MOTOR STOP MTG BRKT 3 X 7
2	3403767	2	PWC EXT LEG 3'
3	3600135	1	VINYL MOTOR STOP ASSY
	3600726	1	MOTOR STOP BOB HVL/VL 6-10K (SEE SECTION 4.5)

4.3 #3600715 VL6K MOTOR STOP 3'

Reference	Part Number	Quantity	Description
1	3600745	2	HVL/VL MOTOR STOP MTG BRKT 3 X 5
2	3403767	2	PWC EXT LEG 3'
3	3600135	1	VINYL MOTOR STOP ASSY
	3600726	1	MOTOR STOP BOB HVL/VL 6-10K (SEE SECTION 4.5)

4.4 #3600721 MOTOR STOP BOB VL 2-5K

Reference	Part Number	Quantity	Description
A	5896255	2	HHCS 3/8-16 X 3
B	5897016	4	3/8-16 NYLOCK NUT
C	5896282	2	1/2-13 X 1-1/2 HHCS
D	5896385	2	1/2-13 SQ HD NUT
E	5896253	2	HHCS 3/8-16 X 2-1/2

4.5 #3600726 MOTOR STOP BOB HVL/VL 6-10K

Reference	Part Number	Quantity	Description
A	5896259	2	HHCS 3/8-16 X 4
B	5897016	4	3/8-16 NYLOCK NUT
C	5896282	2	1/2-13 X 1-1/2 HHCS
D	5896385	2	1/2-13 SQ HD NUT
E	5896253	2	HHCS 3/8-16 X 2-1/2

TWO YEAR LIMITED WARRANTY

Reimann & Georger Corporation Marine Products

This product is warranted by RGC® Marine Products to the original purchaser to be free from defects in material and workmanship under normal use for a period of two years from the date of purchase.

During the warranty period, and upon proof of purchase, the product will be repaired or replaced (with the same or similar model) at our option, without charge for either parts or labor when serviced at RGC® Marine Products.

Upon completion of repair, the unit will be returned to the customer freight prepaid. The warranty will not apply to this product if it has been misused, abused, or altered.

NEITHER THIS WARRANTY OR ANY OTHER WARRANTY, EXPRESS OR IMPLIED, INCLUDING IMPLIED WARRANTIES OF MERCHANTABILITY, SHALL EXTEND BEYOND THE WARRANTY PERIOD. NO RESPONSIBILITY IS ASSUMED FOR ANY INCIDENTAL OR CONSEQUENTIAL DAMAGES. SOME STATES DO NOT ALLOW EXCLUSION OR LIMITATION OF INCIDENTAL OR CONSEQUENTIAL DAMAGES, SO THE ABOVE LIMITATIONS OR EXCLUSIONS MAY NOT APPLY TO YOU.

This warranty gives you specific legal rights, and you may also have other rights which vary from state to state.