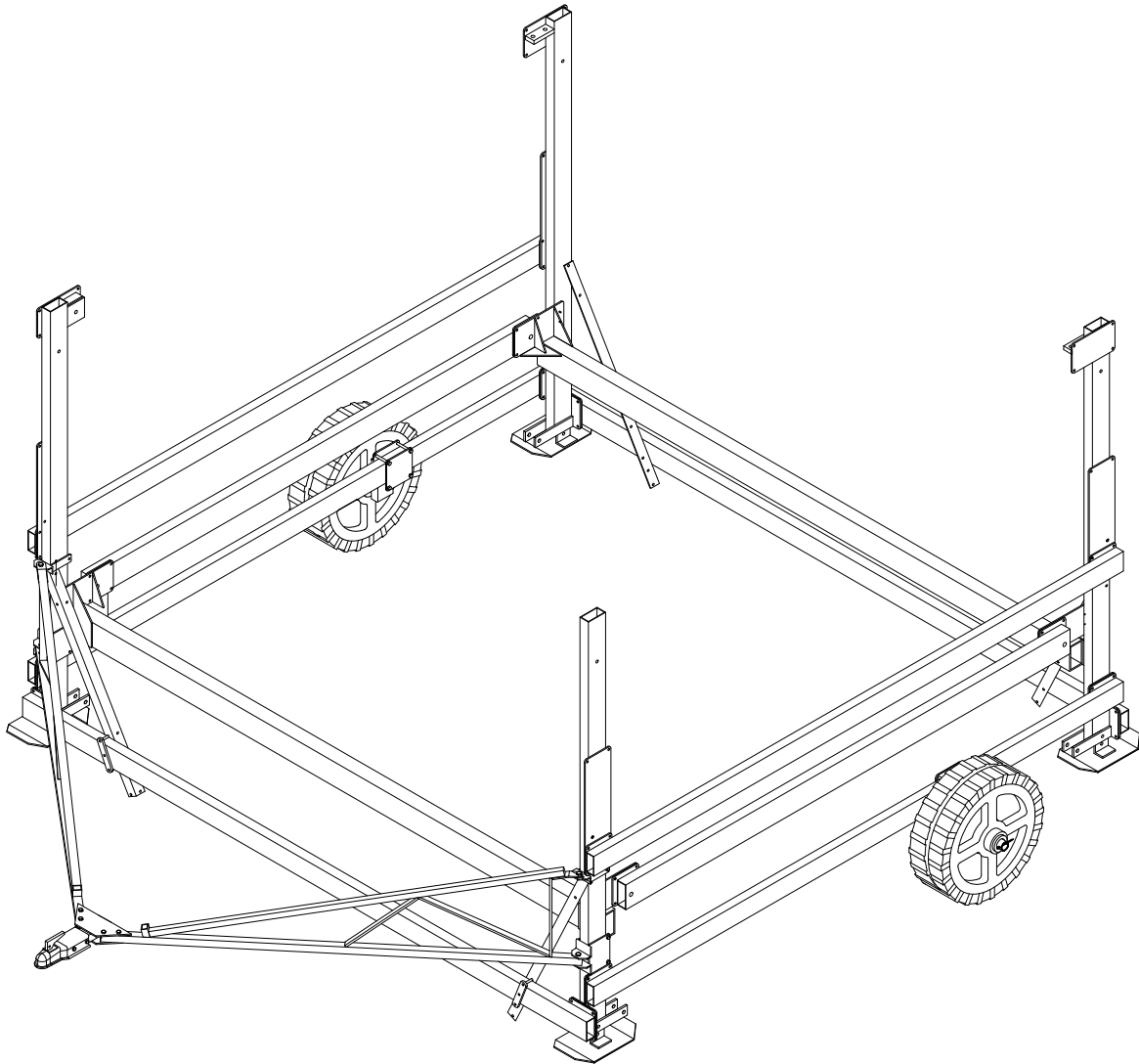




VL TRANSPORT KIT POLY WHEEL INSTRUCTIONS



REIMANN & GEORGER CORPORATION
MARINE PRODUCTS
P/N 611----

BUFFALO, NY
4/29/09

PARTS LISTS

Each reference number or letter in the following transport Kit parts lists can be matched with the reference number or letter referred to in both the text and illustrations in diagram below.

39009037 VL 1.2-8K TRANSPORT KIT- COMPLETE

REF #	PART #	QTY	DESCRIPTION
	3903657	1	VL TRANSPORT TOW ARM (PAIR)
	3906950	1	VL TRANSPORT TOW ARM COP
	3909123	1	VL POLY WHEEL KIT COP

3909044 VL 10K TRANSPORT KIT- COMPLETE

REF #	PART #	QTY	DESCRIPTION
	3903657	1	VL TRANSPORT TOW ARM (PR)
	3909148	1	VL POLY WHEEL KIT 10K COP
	3910215	1	VL TRANSPORT TOW ARM COP 10K

1.1 3903657 VL TRANSPORT TOW ARM (PAIR)

REF #	PART #	QTY	DESCRIPTION
2	3903656	2	VL TRANSPORT TOW ARM

1.2 3906950 VL TRANSPORT TOW ARM COP

REF #	PART #	QTY	DESCRIPTION
5	3906943	1	VL TONGUE MTG PLATE
6	3906945	1	VL TRANSPORT TONGUE WLDMT
7	3903655	2	VL TRANSPORT UPPER MTG BRKT
8	3903660	2	VL TRANSPORT LOWER MTG BRKT
9	6403644	1	VL TRAILER COUPLER - 2"
	3913651	1	VL TRANSPORT TOW ARM BAG OF BOLTS Consisting of:
D	5896406	12	3/8 FLAT WASHER
E	5806243	12	3/8 SPLIT LOCK WASHER
F	5896377	6	3/8 HEX NUT
G	5896282	2	1/2 X 1-1/2 HEX HEAD CAP SCREW
H	5896287	2	1/2 X 2-3/4 HEX HEAD CAP SCREW
J	5896400	4	1/2 FLAT WASHER
K	5806244	4	1/2 SPLIT LOCK WASHER
L	5803612	4	1/2 HEX NUT SILICON BRONZE
M	5896255	6	3/8 X 3 HEX HEAD CAP SCREW (1.2K-7K)
P	5803638	6	3/8 HEX NUT SILICON BRONZE
Q	5896253	4	3/8 X 2-1/2 HEX HEAD CAP SCREW
R	5896259	2	3/8 X 4 HEX HD CAP SCREW

1.3 3909123 VL POLY WHEEL KIT COP

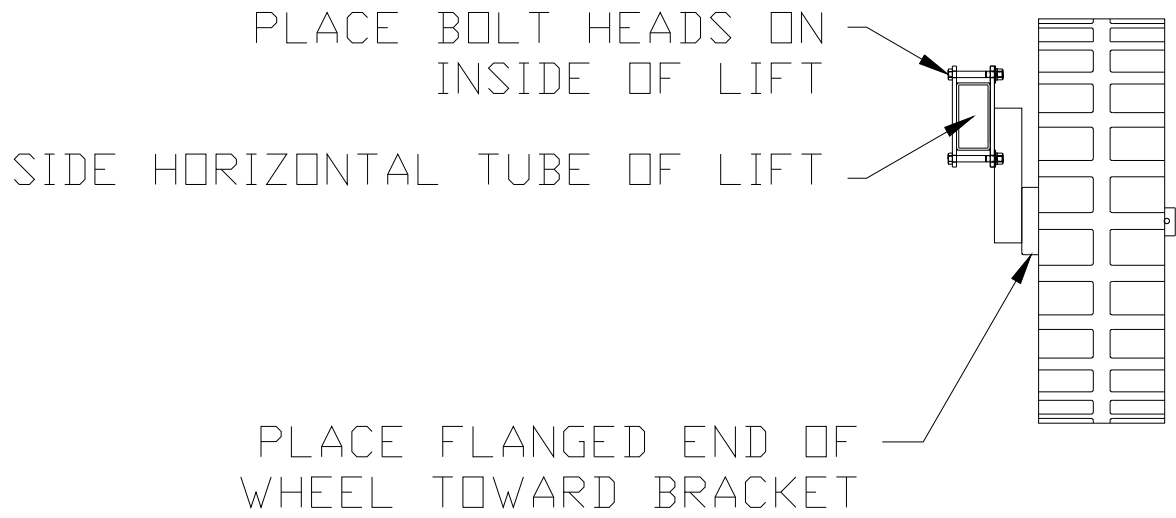
REF #	PART #	QTY	DESCRIPTION
1	7603845	2	WHEEL DOCK 8 X 24
3	3909324	2	VL POLY WHEEL AXLE
4	3687000	2	HORIZONTAL MOUNTING PLATE 6"
	3909203	1	VL POLY WHEEL KIT BAG OF BOLTS Consisting of:
A	5806427	2	PIN,COTTER 5/16 X 3 CZP
B	4003835	2	DOCK WHEEL THRUST WASHER 3 X 7/16
C	5896255	8	HHCS 3/8-16 X 3 SS
D	5896406	8	WASHER FLAT SAE 3/8" SS
E	5806243	8	WASHER SPLIT LOCK 3/8 SS
F	5896377	8	NUT HEX 3/8-16 SS

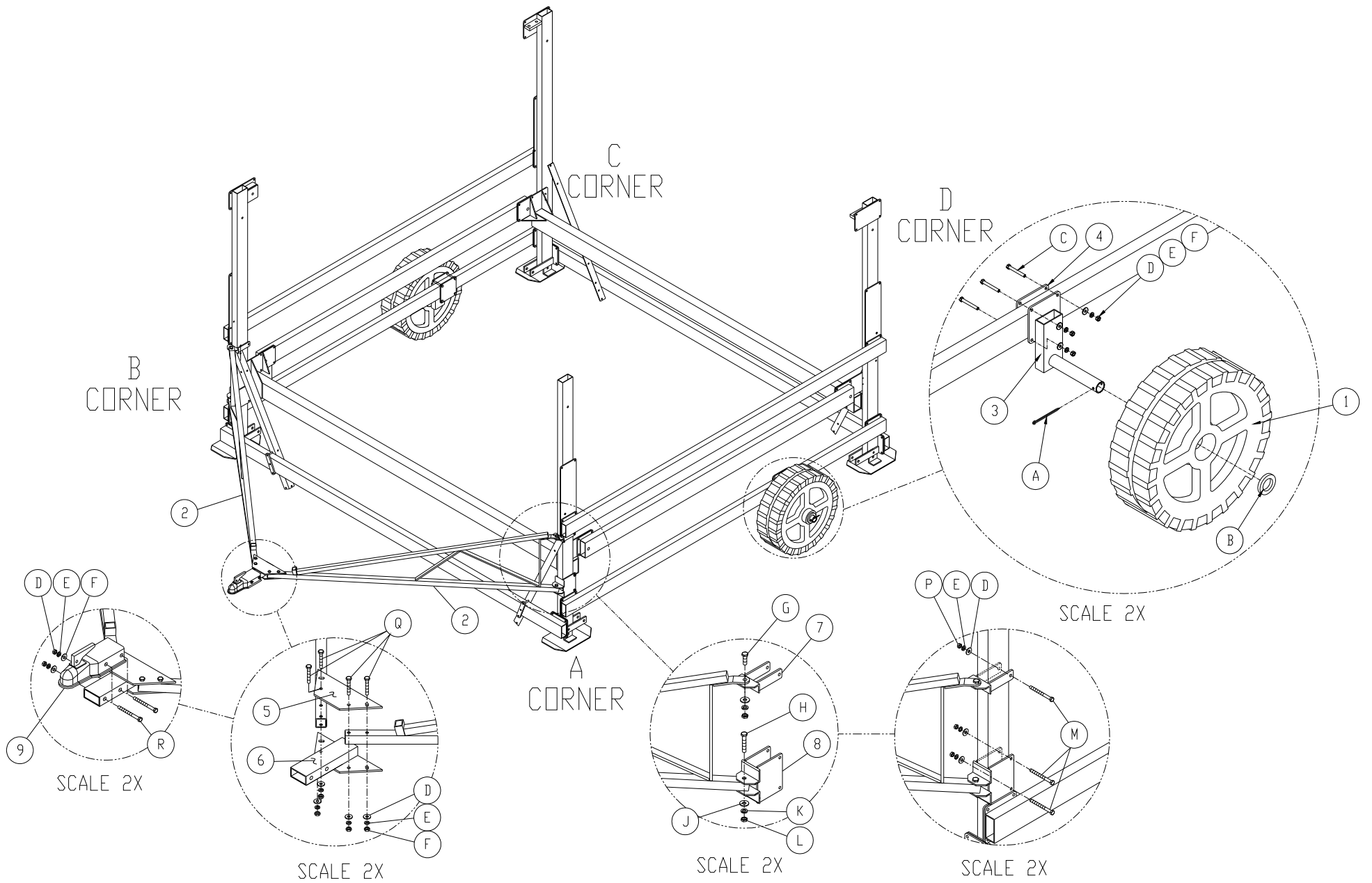
1.4 3910215 VL10K TRANSPORT TOW ARM COP

REF #	PART #	QTY	DESCRIPTION
5	3910710	1	VL TONGE MOUNTING PLATE (10K)
6	3910515	1	VL TRANSPORT TONGE WELDMENT (10K)
7	3910415	2	VL TRANSPORT UPPER MOUNTING BRACKET (10K)
8	3910410	2	VL TRANSPORT LOWER MOUNTING BRACKET (10K)
9	6403644	1	VL TRAILER COUPLER - 2"
	3910220	1	VL10K TRANSPORT TOW ARM BAG OF BOLTS consisting of:
D	5896406	12	3/8 FLAT WASHER
E	5806243	12	3/8 SPLIT LOCK WASHER
F	5896377	6	3/8 HEX NUT
G	5896282	2	1/2 X 1-1/2 HEX HEAD CAP SCREW
H	5896287	2	1/2 X 2-3/4 HEX HEAD CAP SCREW
J	5896400	4	1/2 FLAT WASHER
K	5806244	4	1/2 SPLIT LOCK WASHER
L	5803612	4	1/2 HEX NUT SILICON BRONZE
M	5896263	6	3/8 X 5 HEX HEAD CAP SCREW (10K)
P	5803638	6	3/8 HEX NUT SILICON BRONZE
Q	5896253	4	3/8 X 2-1/2 HEX HEAD CAP SCREW
R	5896259	2	3/8 X 4 HEX HD CAP SCREW

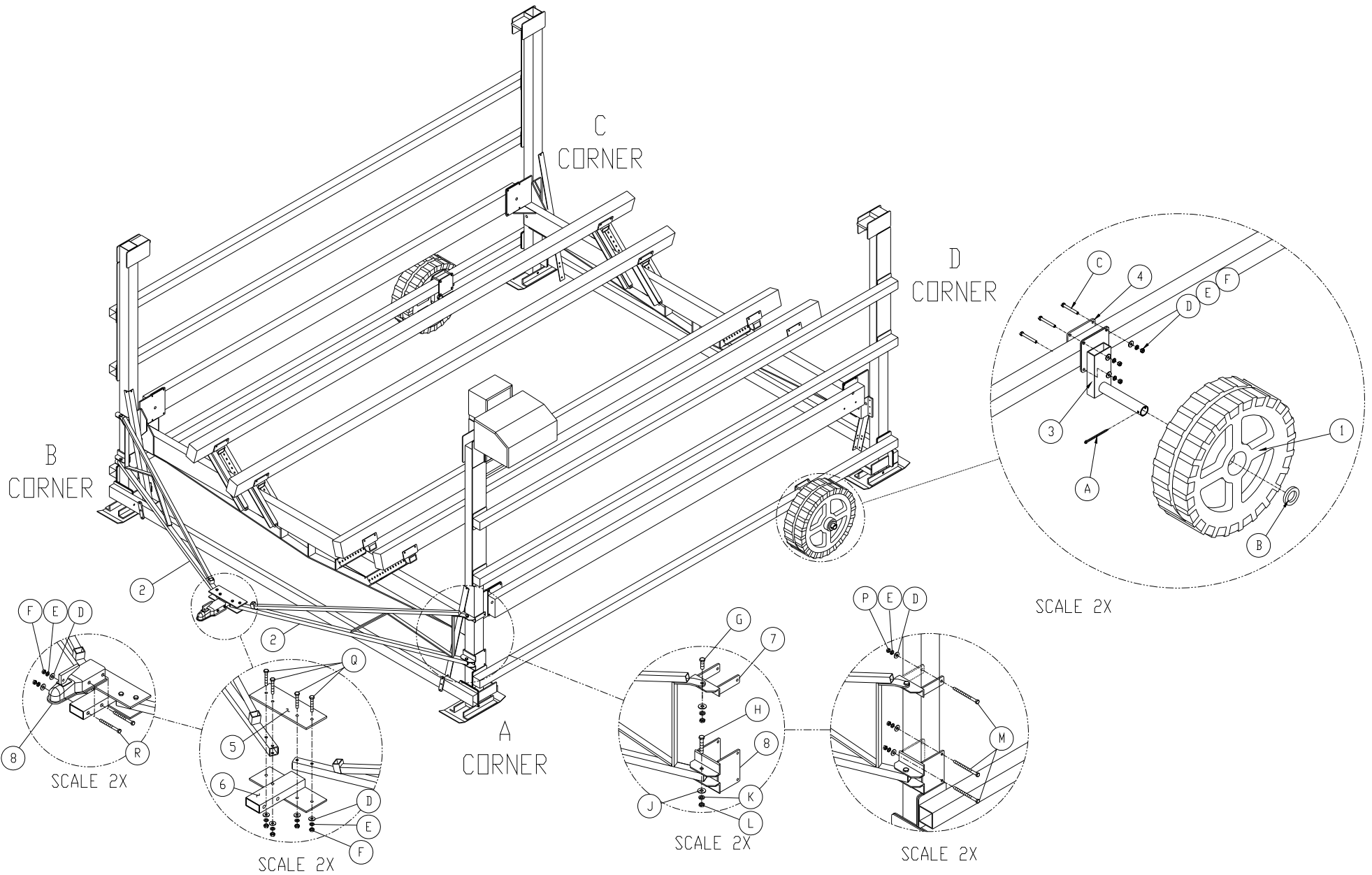
1.5 3909148 VL POLY WHEEL KIT 10K COP

REF #	PART #	QTY	DESCRIPTION
1	7603845	2	WHEEL DOCK 8 X 24
3	3909324	2	VL POLY WHEEL AXLE
4	3687000	2	HORIZONTAL MOUNTING PLATE 6"
	3909210	1	VL POLY WHEEL KIT BAG OF BOLTS Consisting of:
A	5806427	2	PIN,COTTER 5/16 X 3 CZP
B	4003835	2	DOCK WHEEL THRUST WASHER 3 X 7/16
C	5896259	8	HHCS 3/8-16 X 4 SS
D	5896406	8	WASHER FLAT SAE 3/8" SS
E	5806243	8	WASHER SPLIT LOCK 3/8 SS
F	5896377	8	NUT HEX 3/8-16 SS





VL 1.2K- 8K Transport Kit- Complete



VL 10K Transport Kit- Complete