

VL1250 GUIDE ON

PARTS LIST

REF #	PART #	QTY	DESCRIPTION
1	3611407	2	VL1250 GUIDE ON ASSEMBLY
2	3625640	4	VL1250 GUIDE ON ANGLE
A	5893614	4	3/8 X 3-1/8 X 3 SQUARE BEND U-BOLT
B	5896323	4	3/8 X 2-1/2 CARRIAGE BOLT SS
C	5896377	4	3/8 HEX NUT SS
D	5896406	12	3/8 SAE FLAT WASHER SS
E	5806243	12	3/8 SPLIT LOCK WASHER SS
F	5803638	8	3/8 BRONZE HEX NUT

1. Read the following instructions thoroughly before starting work. If you don't understand a procedure, call Reimann & Georger Corporation or its distributors for assistance.
2. Insure that you have all the parts listed. If any parts are missing or damaged, return to place of purchase immediately.
3. Attach the guide on angles to the load tube of the platform at the desired height and distance apart. Align the angles so the guide on assembly will sit flush to one side as shown in Figure 1. Fasten into place using the U-bolts.
4. Attach the guide on assembly to the guide on angle and fasten using the carriage bolts, washers and nuts.

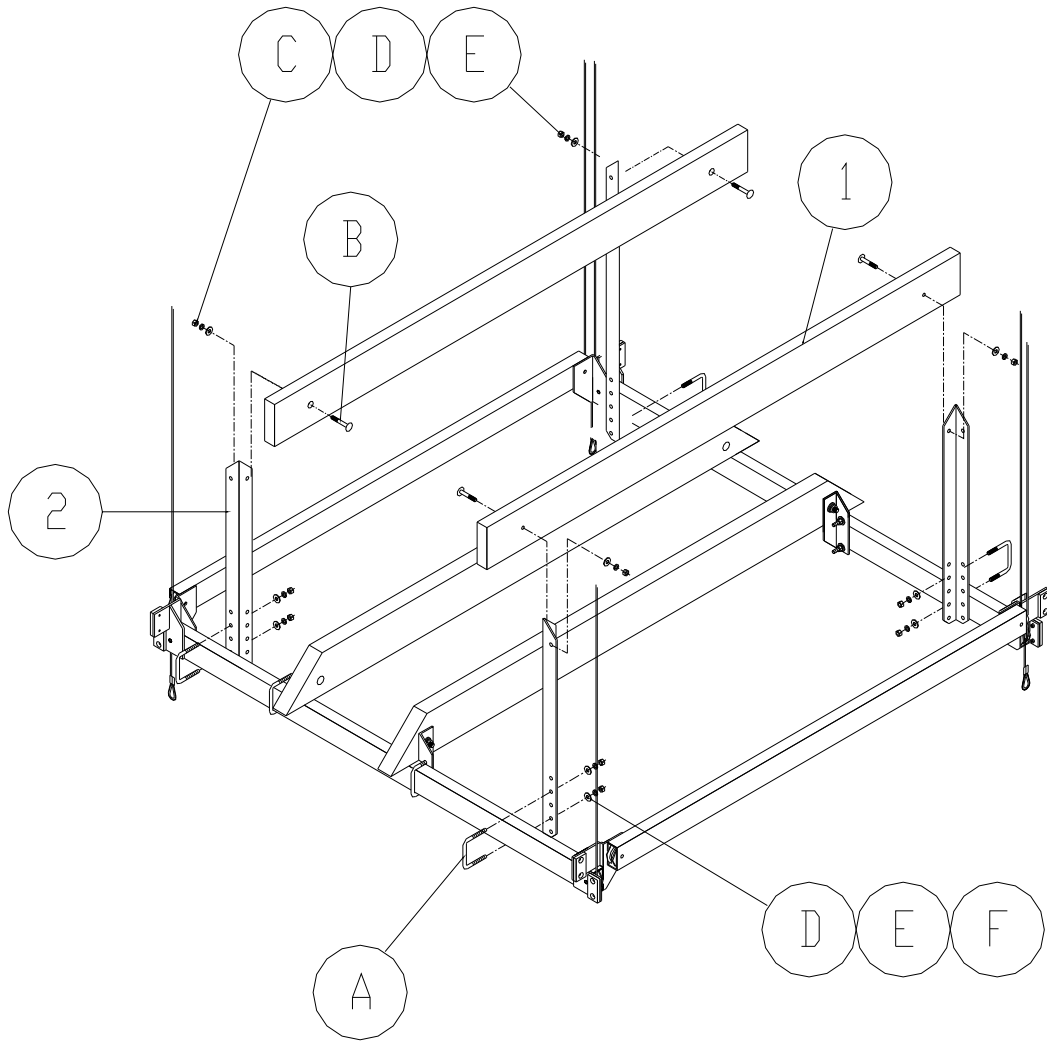


Figure 1