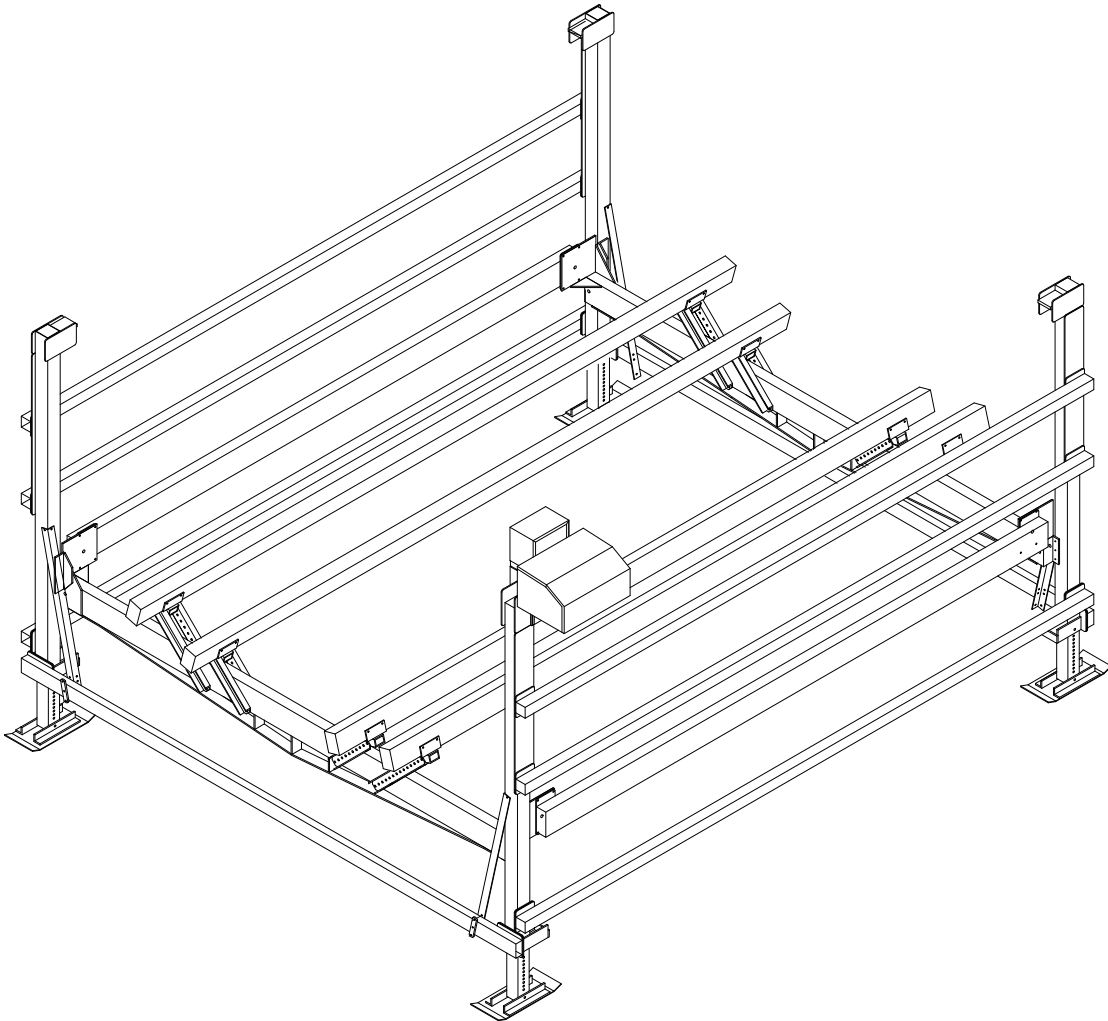




# VL100148 PIVOTING BUNK HD INSTRUCTIONS



**REIMANN & GEORGER CORPORATION**  
**MARINE PRODUCTS**  
P/N 6112041

**BUFFALO, NY**  
06/20/08

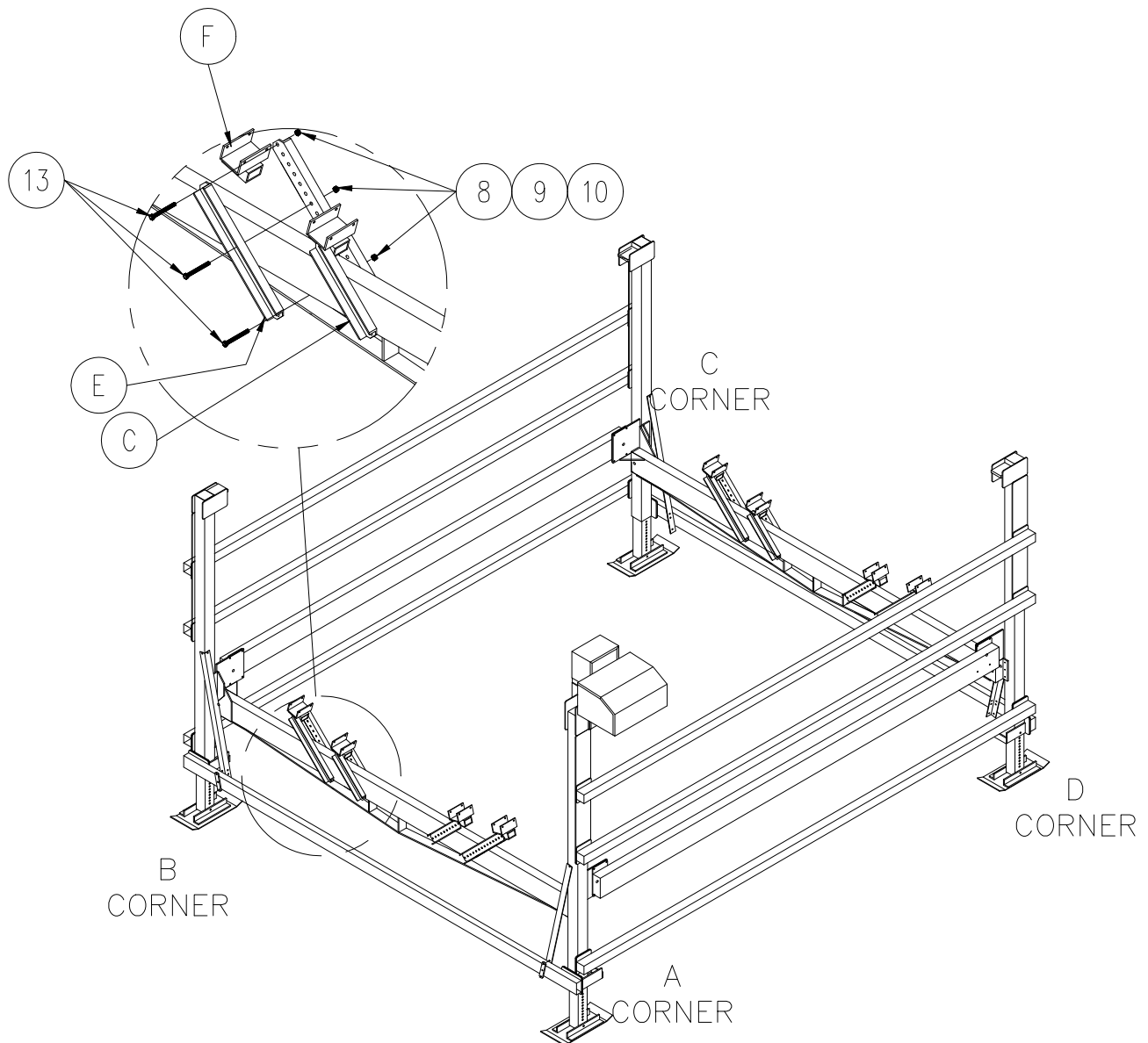
# STEP 1: ATTACHING BRACKETS

- Position brackets as shown on either side of hoist load tube.
- Loosely attach brackets using bolts, washers & nuts. (Hardware will be tightened after adjustments are made in a later step).
- Repeat above procedure for remaining brackets and hardware.



## WARNING:

FAILURE TO APPLY A SUITABLE LUBRICANT TO THE MATING SURFACES OF STAINLESS STEEL THREADED FASTENERS MAY CAUSE GALLING AND/OR SEIZING OF ASSEMBLY.



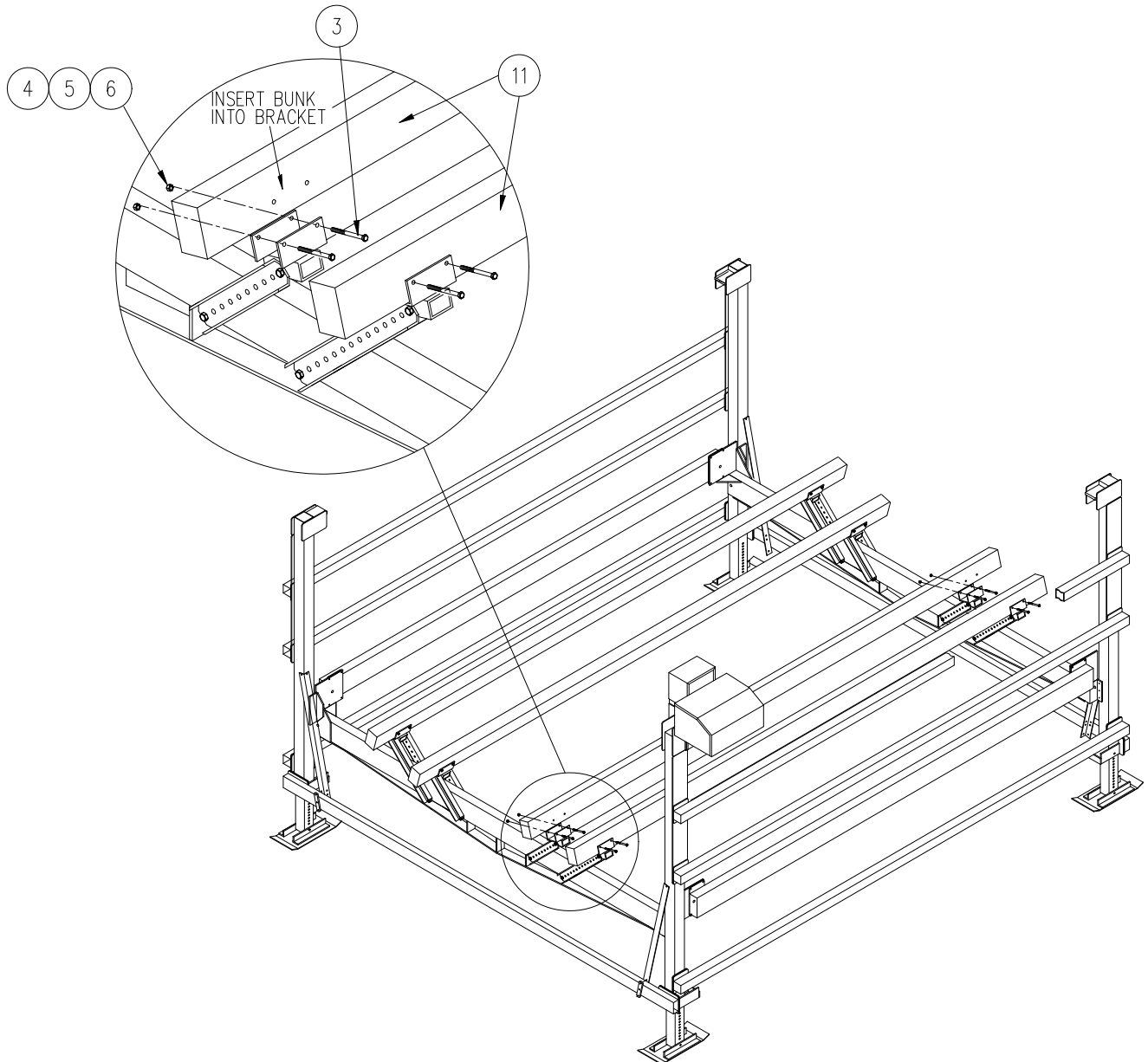
# STEP 2: ATTACHING WOOD BUNKS

- Position wood bunk over the cradle head. Attach wood using bolts, washers and nut. Tighten carriage bolts using 9/16" socket/ ratchet.



## WARNING:

FAILURE TO APPLY A SUITABLE LUBRICANT TO THE MATING SURFACES OF STAINLESS STEEL THREADED FASTENERS MAY CAUSE GALLING AND/OR SEIZING OF ASSEMBLY.

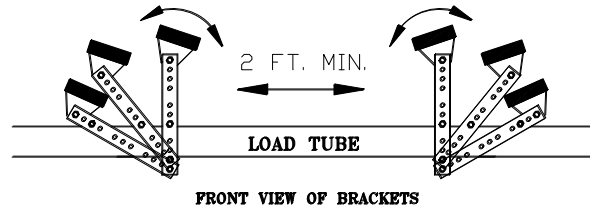


# STEP 3: ADJUSTING BUNKS

- \* Using bolts, washers & nuts, select hole pattern in brackets that give desired bunk height and angle.

(SEE HELPFUL TIPS SECTION BELOW)

- \* Position each bracket a minimum distance of 1 foot from center of load tube.



- \* Pivot cradle head until wood bunk is at desired angle to properly support hull.
- \* Once final adjustments are made to bunks  
TIGHTEN ALL BOLTS using 3/4" socket & wrenches.

**CAUTION: ALL BOLTS MUST BE TIGHT BEFORE ATTEMPTING TO RAISE BOAT ON LIFT.**

## HELPFUL TIPS:

- 1) Use boat trailer as a reference for proper bunk adjustment. TAKE MEASUREMENTS.
- 2) Brackets at the BOW end of hoist can be mounted closer together than the STERN (As pictured). This will help center and guide boat onto the hoist.
- 3) Cradle brackets must be mounted vertically for waterski boats to achieve proper skag & drive shaft clearance.
- 4) Properly adjusted bunks will give full length support of hull & do not allow the keel to contact the hoist load tube.

## VL10K HD PIVOT BUNK PARTS LIST

Each reference number or letter in the following parts lists can be matched with the reference number or letter referred to in the illustrations of the instruction manual.

### VL PIVOT BUNKS 10K HD

#### #3610206 VL Bunk (DBL) Carton of Parts 10K HD

REF #	PART #	QTY	DESCRIPTION
F	3610940	8	VL BUNK MOUNTING BRACKET 10K
E	3610710	8	VL CRADLE BRACKET 22-1/8
C	3610705	8	VL CRADLE BRACKET 15-7/8
	<b>3610204</b>	<b>1</b>	<b>VL BUNK (DBL) S.S. BOB 10K HD</b>
			consisting of:
3	5896263	16	3/8 x 5 HHCS BOLT
4	5896406	16	3/8 SAE FLAT WASHER
5	5806243	16	3/8 SPLIT LOCK WASHER
6	5896377	16	3/8 HEX NUT
13	5896293	24	1/2 x 4-1/2 HHCS
8	5896400	24	1/2 SAE FLAT WASHER
9	5806244	24	1/2 SPLIT LOCK WASHER
10	5803612	24	1/2 HEX NUT -SILICON BRONZE

#### #3610203 Bunk Bundle 2 Hole 10K HD (QTY 2 Bundles)

REF #	PART #	QTY	DESCRIPTION
11	3610440	4	VL BUNK ASSY HD 2 HOLE 10K (4pcs. total)

## **TWO YEAR LIMITED WARRANTY**

### **Reimann & Georger Corporation Marine Products**

This product is warranted by RGC® Marine Products to the original purchaser to be free from defects in material and workmanship under normal use for a period of two years from the date of purchase.

During the warranty period, and upon proof of purchase, the product will be repaired or replaced (with the same or similar model) at our option, without charge for either parts or labor when serviced at RGC® Marine Products.

Upon completion of repair, the unit will be returned to the customer freight prepaid. The warranty will not apply to this product if it has been misused, abused, or altered.

NEITHER THIS WARRANTY OR ANY OTHER WARRANTY, EXPRESS OR IMPLIED, INCLUDING IMPLIED WARRANTIES OF MERCHANTABILITY, SHALL EXTEND BEYOND THE WARRANTY PERIOD. NO RESPONSIBILITY IS ASSUMED FOR ANY INCIDENTAL OR CONSEQUENTIAL DAMAGES. SOME STATES DO NOT ALLOW EXCLUSION OR LIMITATION OF INCIDENTAL OR CONSEQUENTIAL DAMAGES, SO THE ABOVE LIMITATIONS OR EXCLUSIONS MAY NOT APPLY TO YOU.

This warranty gives you specific legal rights, and you may also have other rights which vary from state to state.