



15' X 68" CANOPY INSTRUCTIONS

(with Rectangular Legs)

TABLE OF CONTENTS

CHAPTER	TITLE	PAGE
1	SAFETY	1
1.1	Introduction	1
1.2	Safety Definitions.....	1
1.3	Canopy Safety Labels.....	1
1.4	Canopy Safety Rules	1
2	INSTALLATION AND SETUP.....	3
2.1	Prior to Setup.....	3
2.2	Installation Procedure.....	3
3	INSPECTION AND MAINTENANCE.....	10
3.1	General Maintenance Rules	10
3.2	Storage Procedure	10
4	PARTS LISTS	11
4.1	Canopy Bundle.....	11
4.2	Canopy Fabric Carton of Parts	11
4.3	Canopy Frame Carton of Parts and Bag of Bolts 15'	11
LIMITED WARRANTY		

LIST OF FIGURES

FIGURE	DESCRIPTION	PAGE
2-1	Canopy Leg Assembly	3
2-2	Side Stringer Assembly.....	4
2-3	Mounting the Stringers.....	4
2-4	Mounting the End Caps, Plastic Caps, and Canopy Ribs.....	5
2-5	Mounting the Canopy Center Band.....	6
2-6	Velcro Strip Installation	7
2-7	Mounting the Canopy Fabric.....	7
2-8	Mounting the Bungee Hooks	8
2-9	Complete Canopy Framework.....	9

1 SAFETY

1.1 INTRODUCTION

Your Reimann & Georger Corporation Marine Products Canopy has been engineered to provide long term boat protection and safety advantages that no other type can match. However, even a well-designed and well-built canopy kit can malfunction or become hazardous in the hands of an inexperienced and/or untrained user. Therefore, read this manual, and related equipment manuals thoroughly, before installing your canopy to provide maximum safety for all personnel, and to get the maximum benefit from your equipment.



WARNING:

DO NOT INSTALL THIS CANOPY WITHOUT STUDYING THIS ENTIRE MANUAL AND THE MANUAL FOR THE LIFT ONTO WHICH IT IS BEING MOUNTED. FAILURE TO DO THIS CAN LEAD TO EQUIPMENT MISUSE WITH RESULTING DAMAGE AND/OR SERIOUS PERSONAL INJURY. CONTACT YOUR RGC® MARINE DEALER IF YOU HAVE ANY QUESTIONS.

1.2 SAFETY DEFINITIONS

A safety message alerts you to potential hazards that could hurt you or others or cause property damage. The safety messages or signal words for product safety signs are **DANGER**, **WARNING**, and **CAUTION**. Each safety message is preceded by a safety alert symbol and is defined as follows:

DANGER: Indicates an imminently hazardous situation which, if not avoided, **will** cause death or serious injury. This safety message is limited to the most extreme situations.

WARNING: Indicates a potentially hazardous situation which, if not avoided, **could** result in death or serious injury.

CAUTION: Indicates a potentially hazardous situation which, if not avoided, **may** result in minor or moderate injury. It may also be used to alert against unsafe practices and property-damage-only accidents.

1.3 CANOPY SAFETY LABELS

These labels warn you of potential hazards that could cause injury. Read them carefully. If a label comes off or becomes illegible, contact a Reimann & Georger Corporation dealer for a replacement.

1.4 CANOPY SAFETY RULES

1. Do not install the canopy if it shows any signs of damage.
2. Do not weld or otherwise modify any part of the canopy kit. Such alterations may weaken the structural integrity of the canopy installation and void the warranty.
3. Immediately replace any parts found to be defective.
4. Do not use any part of the canopy kit for anything other than its designed purpose.
5. Do not try to install the canopy under the influence of drugs, alcohol, or medication.
6. Ensure that the lift frame is level and square before installing the canopy.
7. Do not install the canopy in rough water conditions.
8. Keep people and pets clear during installation of the canopy.

9. The following precautions must be observed when lifting any part of this equipment:
 - a. Be sure of your footing.
 - b. Bend your knees and lift with your legs.
 - c. Hold the equipment section close to your body when lifting.
10. Do not stand or climb on any part of the lift when installing the canopy.
11. If your lift is equipped with a handwheel, never reach through the spokes of the handwheel to perform any installation or maintenance on the canopy. If the handwheel starts to spin freely, do not try to stop it. This can cause serious injury.
12. Do not try operating the lift while installing or adjusting the canopy.
13. When installing the canopy, ensure that all nuts and bolts are tightened securely.
14. Anchor a canopy-equipped lift to the lake bottom to prevent high winds from toppling it. This protection is especially important when the boat does not weigh down the lift.

2 INSTALLATION AND SETUP

2.1 PRIOR TO SETUP

1. Examine your canopy upon receipt and check that it is complete and undamaged. Refer to the parts lists in Chapter 4. Report any shipping damage on the delivery receipt and contact the delivering carrier to file a damaged freight claim. Do not install the canopy if it shows any signs of damage.
2. Read and know the instructions and ensure that everyone understands the proper installation procedure.
3. Do not install the canopy under the influence of drugs, alcohol, or medication.
4. Do not try to install the canopy in rough water conditions or high winds.
5. Ensure that the lift frame is square and that the lift sets level.

2.2 INSTALLATION PROCEDURE

The part reference numbers used in the subassembly drawings of this section are the same as those listed in the parts lists of Chapter 4.

1. Refer to **Figure 2-1**. Loosely attach 2 three-hole plates (16) to the top hole of each canopy extension leg (8) with the hardware shown. Insert the opposite end of each canopy extension leg into top of each vertical leg. Adjust canopy extension leg to a position that is most suitable for your boat lift installation and fasten in place. Note; the winch mounting hardware is also used to secure the canopy extension leg (refer to lift manual for winch leg assembly).

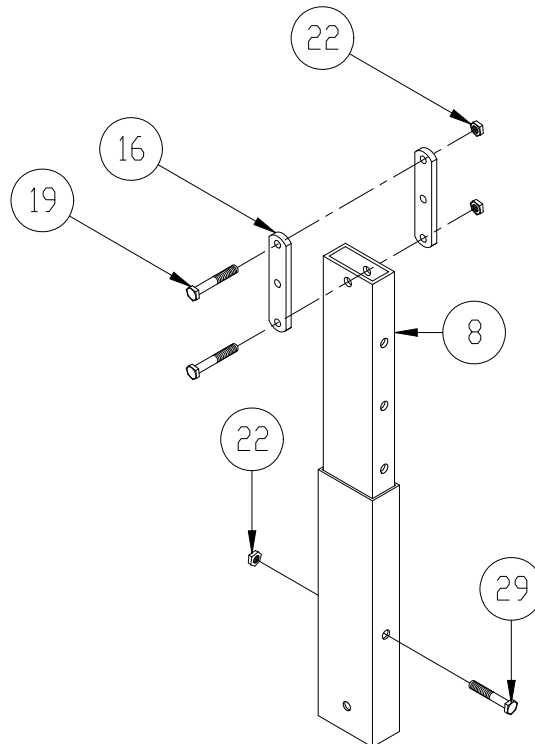


Figure 2-1.
VL1200 Canopy Leg Assembly

2. Refer to **Figure 2-2**. Assemble both sides of your canopy frame on the ground using (1 ea.) left hand stringer (1), and right hand stringer (2), for each side assembly. Canopy rib bushings are offset to the outside of stringer face. Make certain that all stringers are positioned properly. Fasten each joint together with two three-hole plates (16), and hardware shown. Each stringer assembly **MUST** be straight for proper fabric fitting.

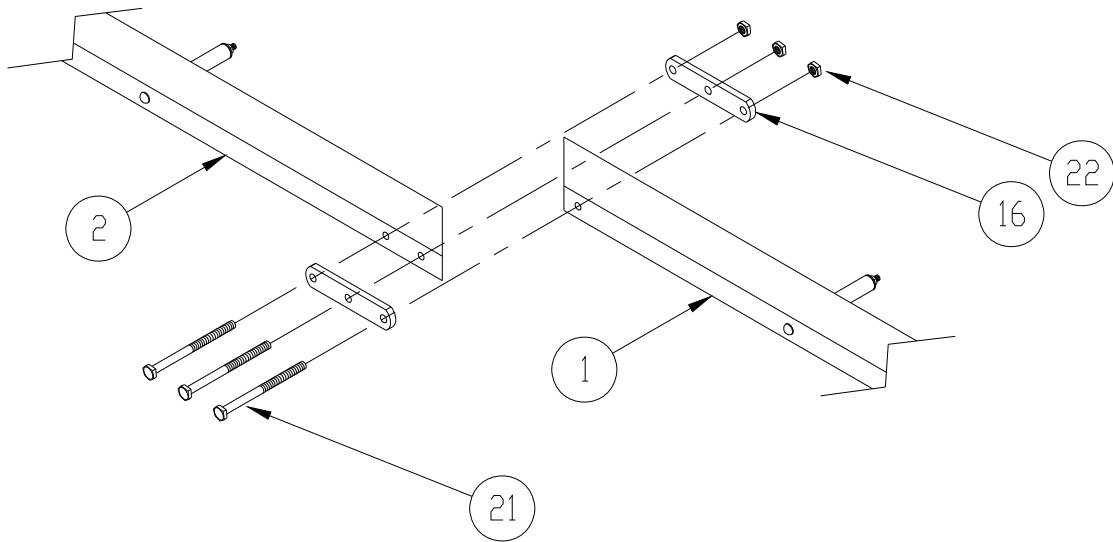


Figure 2-2.
VL1200 Side Stringer Assembly

3. Refer to **Figure 2-3**. Mount the assembled stringers to top of canopy extension legs on each side of lift. Canopy rib bushings are offset to the outside of canopy frame. Position the stringers such that the canopy protects the entire length of the boat and fasten in place with hardware shown.
- 4.

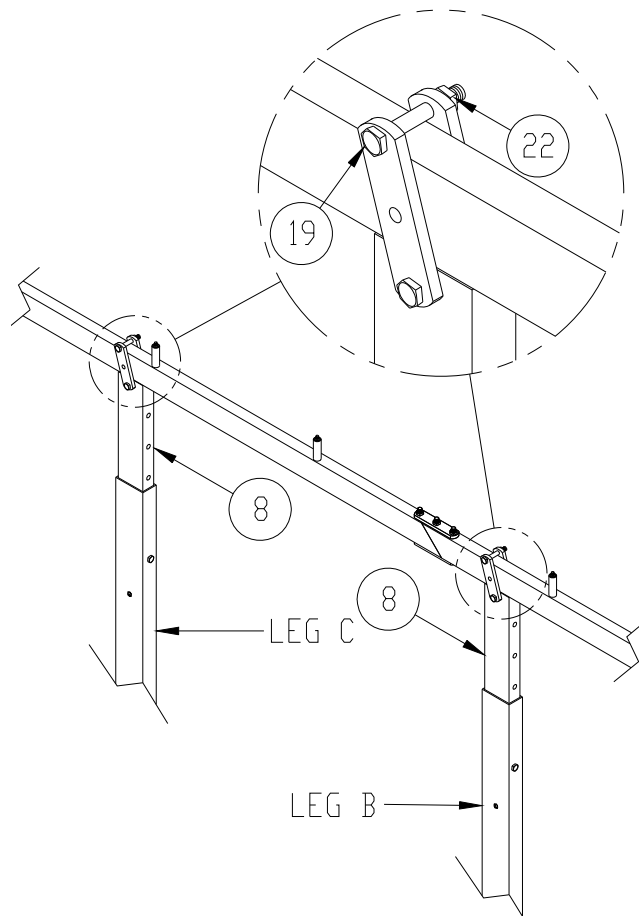


Figure 2-3.
VL1200 Mounting the Stringers



CAUTION:

CANOPY FRAME MUST BE SQUARE TO PREVENT DAMAGE AND/OR IMPROPER FITTING OF CANOPY FABRIC UPON INSTALLATION.

5. Refer to **Figure 2-4**. Attach each canopy end cap to the side stringers using one top gusset plate (14) and one bottom gusset plate (15) and hardware shown for each corner connection. Before tightening hardware, square the canopy frame by placing a carpenter or combination square into each corner and positioning canopy stringers and end caps to provide a 90 degree corner joint. Tighten hardware to lock into position.

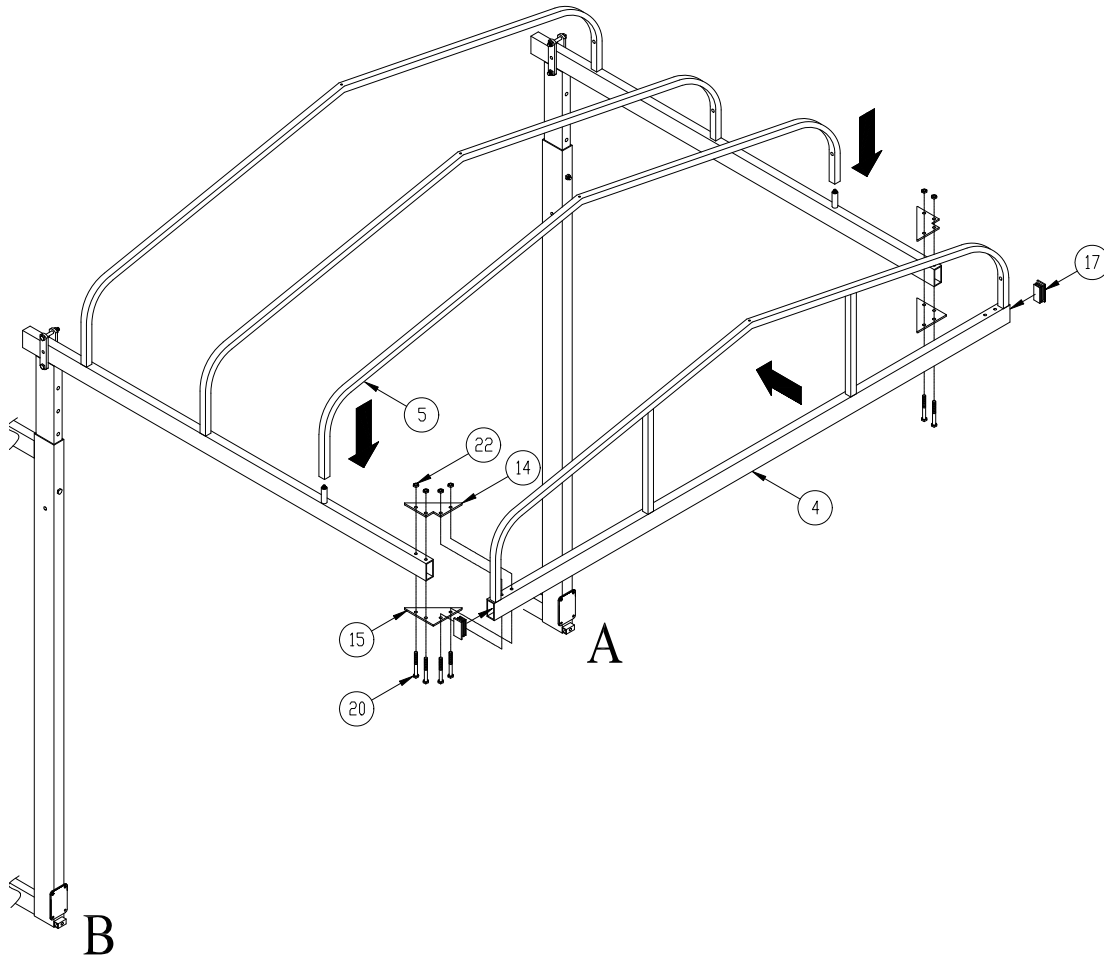
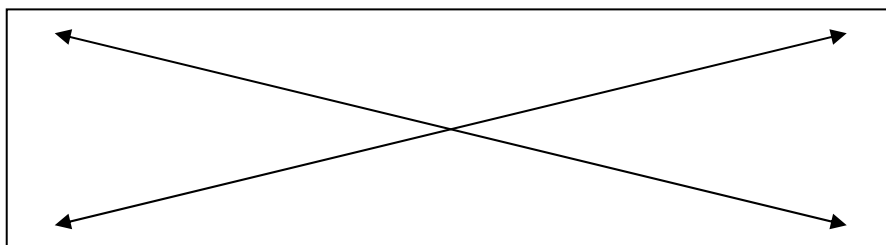


Figure 2-4.
VL1200 Mounting the End Caps, Plastic Caps, and Canopy Ribs

6. Verify canopy frame is square by measuring the diagonal distance from the outside of canopy frame corner to opposite corner. Repeat for alternate corners. The **difference between the two measurements shall not exceed 1/4 of an inch**. Repeat steps 5 and 6 if necessary.

Canopy Frame Diagonal Measurement Diagram
(Measure to Outside Corners)



7. Install plastic caps (17) into the canopy frame end caps (4) to prevent fabric abrasion.
8. Install the canopy ribs (5) by sliding them onto the canopy rib bushings.
9. Refer to **Figure 2-5**. Assemble canopy end center band (6) on top of the ribs with hardware shown. Center band splice connection requires use of shorter hardware as shown. This will provide a uniform lay of the fabric.

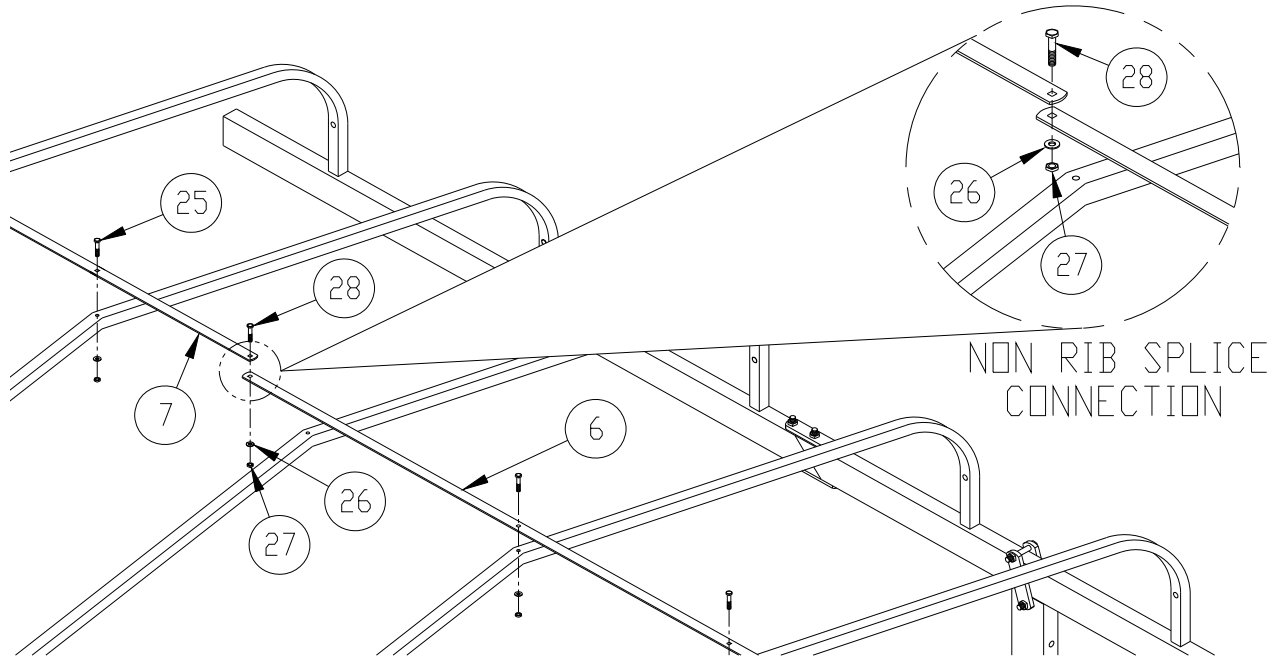


Figure 2-5.
VL1200 Mounting the Canopy Center Band

10. Refer to **Figure 2-6**. Clean the top of the canopy bands at splice ends, 1/4" carriage bolt heads, and top of ribs (about 5 inches each side of bolt) with cloth dampened in rubbing alcohol. Allow surface to dry.
11. Cut supplied Velcro material per cutting chart below.
12. Remove peel-off backing of Velcro strips to expose adhesive.
13. Position center of Velcro strip over carriage bolt head in line with canopy rib.
14. Press down firmly over entire length of Velcro strip to secure it to bolt head and rib.

VELCRO CUTTING CHART

Canopy Length	Quantity	Velcro Cut Length
15'	9	8"

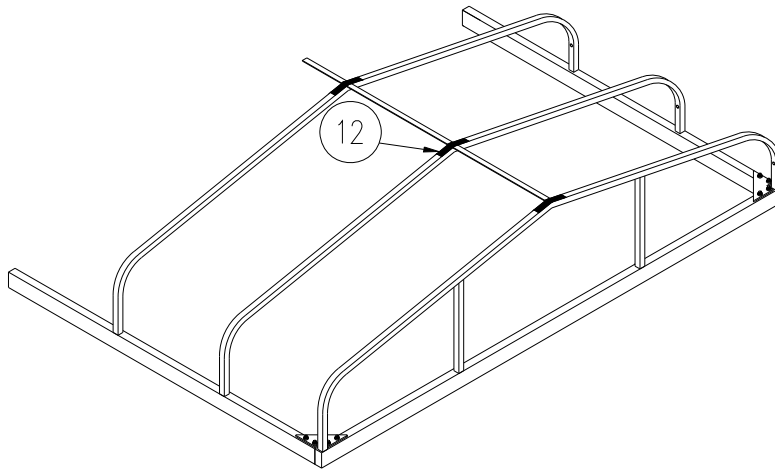


Figure 2-6.
Velcro Strip Installation

15. Refer to **Figure 2-7**. Place the canopy fabric bundle on top of the canopy frame and unfold down the length of the frame; then unfold across the width. Pull fabric snugly over the frame.

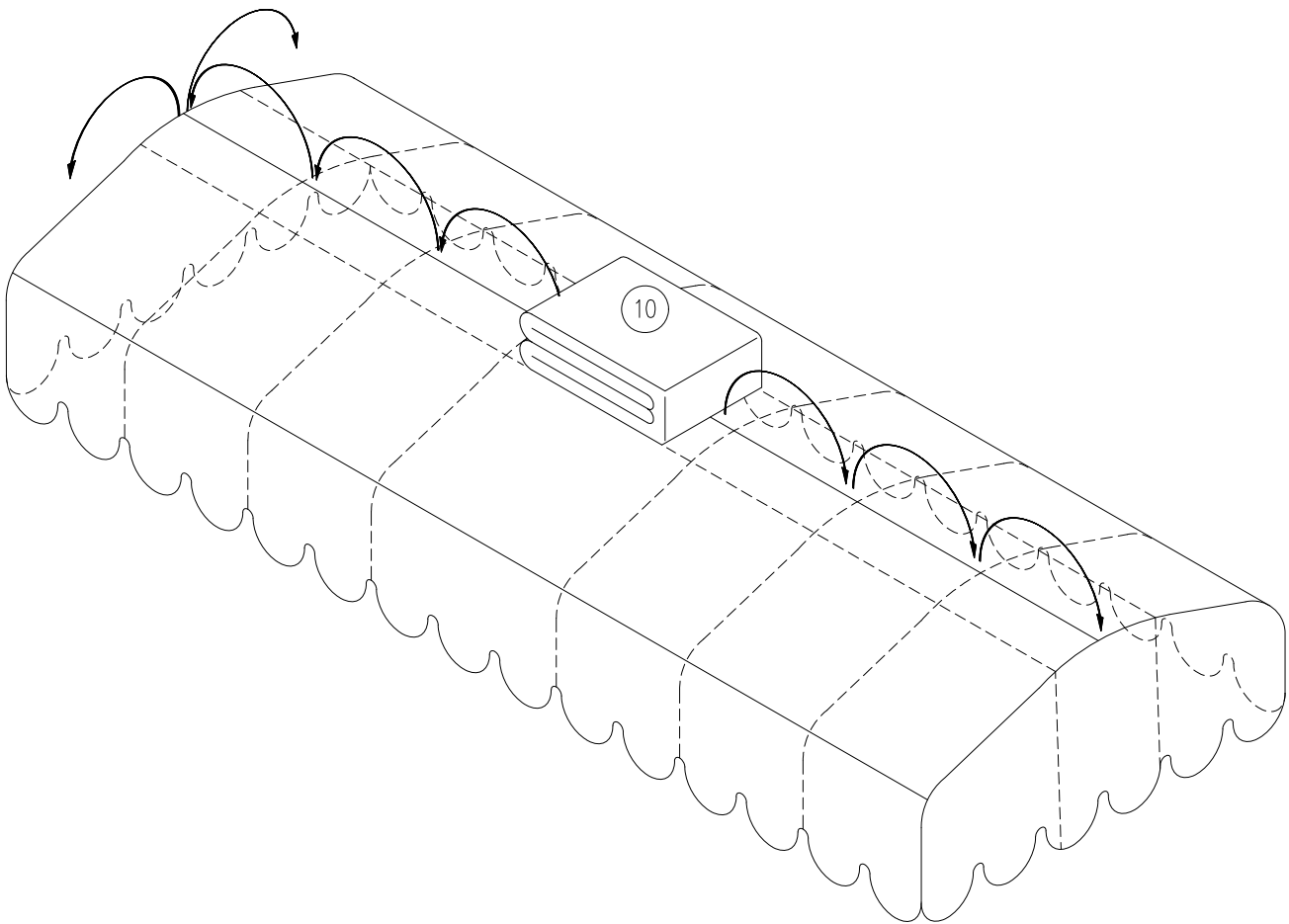


Figure 2-7.
Mounting the Canopy Fabric

16. Refer to **Figure 2-8**. Feed bungee cord through ring and thread hook end through loop to attach to ring. Wrap bungee cord under and around canopy frame. Attach hook end to hole in canopy rib as shown.

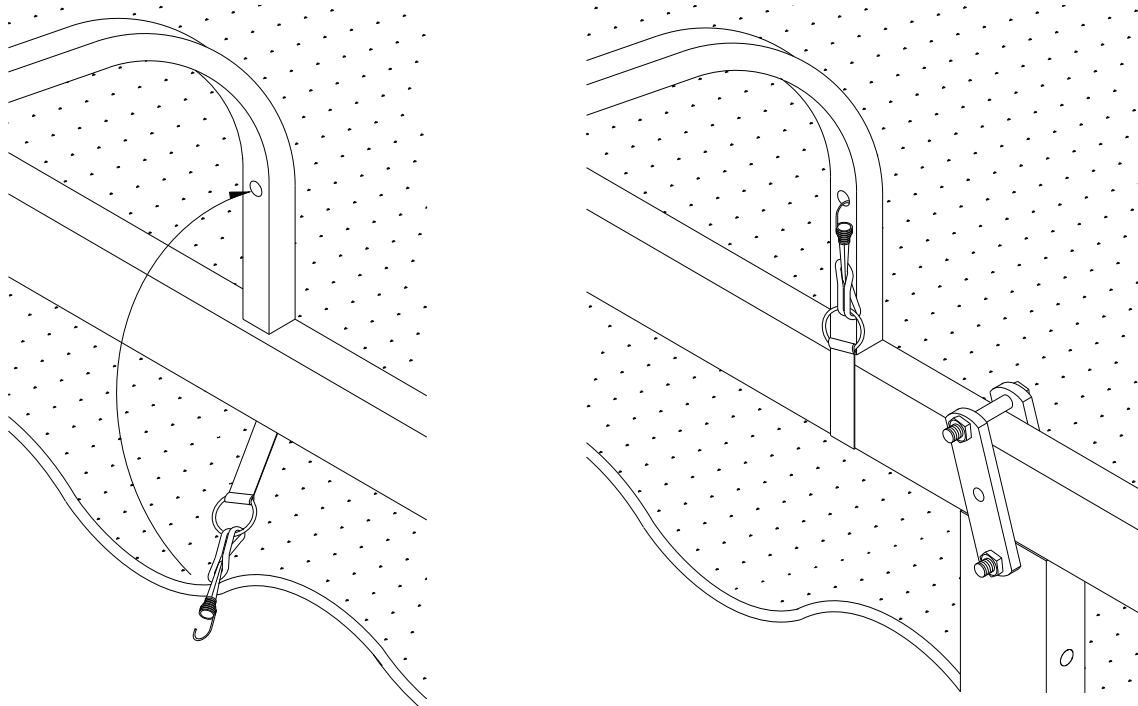


Figure 2-8.
Mounting the Bungee Hooks

17. Once the canopy is installed, take special care in areas prone to high wind to anchor lift to the lake bottom to prevent high winds from toppling it. This protection is especially important when the boat does not weigh down the lift.



WARNING:

HIGH WINDS CAN TOPPLE A CANOPY-EQUIPPED LIFT THAT IS NOT PROPERLY ANCHORED TO THE LAKE BOTTOM, ESPECIALLY WHEN THE BOAT IS NOT WEIGHING DOWN THE LIFT. THIS CAN CAUSE EQUIPMENT DAMAGE AND/OR PERSONAL INJURY.

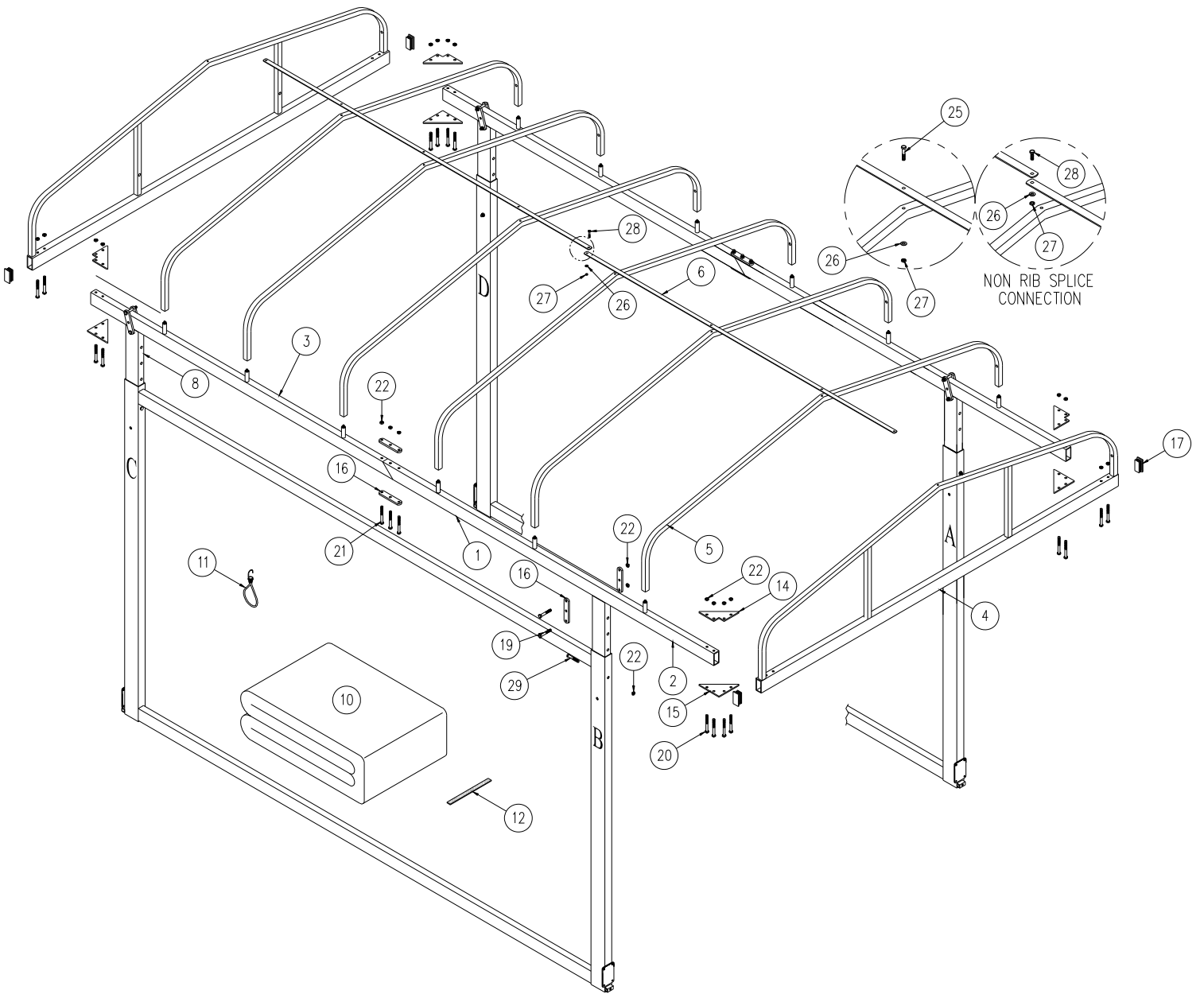


Figure 2-9.
VL1200 Complete Canopy Framework

3 INSPECTION AND MAINTENANCE

3.1 GENERAL MAINTENANCE RULES

1. Do not stand or climb on any part of the lift when doing maintenance on the canopy.
2. If your lift is equipped with a handwheel, never reach through the spokes of the handwheel to perform any maintenance on the canopy. If the handwheel starts to spin freely, do not try to stop it. This can cause serious injury.
3. Do not let anybody operate the lift while doing maintenance on the canopy.
4. Check canopy regularly for defects. Do not continue using the canopy if it shows any signs of damage. Tighten all bolts at this time.
5. The canopy fabric should be cleaned regularly before substances such as dirt or bird droppings are allowed to accumulate and become embedded in the fabric. To clean, brush off any loose dirt, clean and hose down with a MILD solution of natural soap in lukewarm water (no warmer than 100°F), and rinse thoroughly to remove the soap. Do NOT use detergents. Allow canopy to air dry. It is not necessary to remove the canopy when cleaning it.

3.2 STORAGE PROCEDURE

1. Protect your canopy as far as possible from damage caused by environmental factors such as airborne fallout, chemicals, tree sap, and weather hazards.
2. Do not leave the fabric on the framework during off-season. The framework and fabric are not designed to handle top loading such as wet leaves or snow.
3. Store in a cool, dry place. Do not put the fabric away wet or dirty. Protect it by storing it in the original plastic bag.

4 PARTS LISTS

Each reference number in the following parts lists can be matched with the reference number referred to in both the text and illustrations of Chapter 2, Installation and Setup.

4.1 CANOPY FRAME BUNDLE 15' X 68"

REF #	PART #	QTY	DESCRIPTION
1	3613416	2	CANOPY STRINGER ASSEMBLY LEFT HAND
2	3613419	2	CANOPY STRINGER ASSEMBLY RIGHT HAND
4	3613519	2	CANOPY END CAP
5	3613822	6	CANOPY RIB
6	3612825	2	CANOPY END CENTER BAND
8	3614654	4	CANOPY EXTENSION LEG 29-1/2"
	3613207	1	CANOPY FRAME CARTON OF PARTS 15' (SEE SECTION 4.3)

4.2 CANOPY FABRIC CARTON 15' X 68"

REF #	PART #	QTY	DESCRIPTION
10	as ordered	1	CANOPY FABRIC 15' X 68"
11	6436905	8	CORNER BUNGEE CORD 9"
12	6403599	1	CANOPY VELCRO 6 FT. STRIP

4.3 CANOPY FRAME CARTON OF PARTS AND BAG OF BOLTS 15'

REF #	PART #	QTY	DESCRIPTION
14	3603586	4	CANOPY TOP GUSSET PLATE
15	3603587	4	CANOPY BOTTOM GUSSET PLATE
16	9703593	12	THREE HOLE PLATE
17	6403795	4	PLASTIC CAP 1-1/2 X 3
	3613310	1	CANOPY BAG OF BOLTS 15'
			<i>Consisting of</i>
19	5806255	8	3/8 X 3 HEX HEAD CAP SCREW
20	5806259	16	3/8 X 4 HEX HEAD CAP SCREW
21	5806261	6	3/8 X 4-1/2 HEX HEAD CAP SCREW
22	5806141	33	3/8 NYLOCK LOCKNUT
29	5806263	3	3/8 X 5 HEX HEAD CAP SCREW
25	5806356	8	1/4 X 1-1/2 CARRIAGE BOLT
26	5806394	9	1/4 EXTERNAL TOOTH LOCK WASHER
27	5806373	9	1/4 HEX NUT
28	5806206	1	1/4 X 3/4 HEX HEAD CAP SCREW

LIMITED PRODUCT WARRANTY

Reimann & Georger Corporation Marine Products

RGC Marine Products, hereafter referred to as the “Manufacturer”, extends this limited warranty to the original purchaser of this product. The Original Purchaser, hereinafter referred to as the “Buyer”, is defined as the first legal owner of this product other than an authorized distributor or dealer who has bought the product from the Manufacturer for resale to the public. **The Buyer must complete and return the Warranty Registration section of the provided Warranty Card to make this limited warranty effective.**

CONSUMER PRODUCT PROVISIONS

I. ARTICLE I—CONSUMER PRODUCT PROVISIONS: THE FOLLOWING PROVISIONS SHALL BE APPLICABLE IF THIS PRODUCT IS BEING PURCHASED FOR PERSONAL, FAMILY OR HOUSEHOLD PURPOSES.

THE CONSUMER PRODUCT PROVISIONS CONTAINED IN THIS ARTICLE I SHALL APPLY UNLESS THIS PRODUCT IS BEING PURCHASED SOLELY FOR COMMERCIAL OR INDUSTRIAL USE, IN WHICH EVENT THE PROVISIONS CONTAINED IN ARTICLE II BELOW SHALL APPLY AND THE PROVISIONS CONTAINED IN THIS ARTICLE I SHALL BE INAPPLICABLE.

A. 5-YEAR LIMITED WARRANTY

The Manufacturer warrants to the Buyer that the supplied canopy fabric material and workmanship shall not become unserviceable because of loss of color or strength from normal exposure conditions, including sunlight, mildew, rot and normal atmospheric chemicals for a period of five (5) years from date of original purchase. This limited warranty applies to the canopy fabric only. It does not cover labor, installation, or decoration.

B. 15-YEAR LIMITED WARRANTY ON ALUMINUM FRAME EXTRUSION

The Manufacturer warrants to the Buyer that the frame and extrusions shall be free of defects in material and workmanship for a period of fifteen (15) years from date of original purchase. This limited warranty covers the cost of all parts and labor needed to repair any item that is found to be defective in material and workmanship.

C. MANUFACTURER’S OBLIGATIONS

The Manufacturer’s sole obligation under either of these limited warranties is the replacement or repair, at the Manufacturer’s discretion, of parts found to be defective.

D. NO SPECIAL, INCIDENTAL OR CONSEQUENTIAL DAMAGES

IN NO EVENT SHALL THE MANUFACTURER BE LIABLE TO THE BUYER OR ANY PERSON FOR ANY INDIRECT, SPECIAL, INCIDENTAL, OR CONSEQUENTIAL LOSSES OR DAMAGES CONNECTED WITH THE USE OF THE PRODUCT UNDER WARRANTY. SUCH DAMAGES FOR WHICH THE MANUFACTURER SHALL NOT BE RESPONSIBLE INCLUDE, BUT ARE NOT LIMITED TO, LOST TIME AND CONVENIENCE, LOSS OF USE OF THE PRODUCT, THE COST OF A PRODUCT RENTAL, COSTS OF GASOLINE, TELEPHONE, TRAVEL, OR LODGING, THE LOSS OF PERSONAL OR COMMERCIAL PROPERTY, AND THE LOSS OF REVENUE.

Some States do not allow the exclusion or limitation of incidental or consequential damages, so the above limitation or exclusion may not apply to you.

E. NO LIABILITY IN EXCESS OF PURCHASE PRICE

IN NO EVENT SHALL THE MANUFACTURER’S OBLIGATIONS UNDER THIS LIMITED WARRANTY EXCEED THE PURCHASE PRICE OF THE PRODUCT.

F. NO EXTENSION OF STATUTE OF LIMITATIONS

ANY REPAIRS PERFORMED UNDER EITHER OF THESE WARRANTIES SHALL NOT IN ANY WAY EXTEND THE FIVE-YEAR AND FIFTEEN-YEAR STATUTES OF LIMITATIONS CONTAINED IN THIS LIMITED WARRANTY.

G. PROCEDURE FOR WARRANTY PERFORMANCE

If the product fails to perform to the Manufacturer's specifications, the Buyer must contact the dealer from whom the product was purchased. The Buyer must provide the dealer with the applicable model and serial numbers, the date of purchase, and the nature of the problem.

H. PREAPPROVAL OF LABOR COSTS

All labor costs related to a dealer's performance of the warranty obligations under this limited warranty must be pre-approved by Reimann & Georger Corporation Marine Products.

I. NO OTHER EXPRESS WARRANTIES

THE MANUFACTURER IS NOT SUBJECT TO ANY EXPRESS WARRANTIES OTHER THAN THOSE SET FORTH ABOVE.

J. LIMIT ON DURATION OF IMPLIED WARRANTIES

THE DURATION OF ANY IMPLIED WARRANTIES UNDER APPLICABLE STATE LAW RELATING TO THE PURCHASE OF THIS PRODUCT SHALL BE LIMITED TO A PERIOD OF FIVE (5) YEARS FROM THE DATE OF PURCHASE.

Some States do not allow limitations on how long an implied warranty lasts, so the above limitations may not apply to you.

K. QUESTIONS REGARDING LIMITED WARRANTY

Any questions regarding this limited warranty or the procedure which the consumer should follow in order to obtain performance of any warranty obligation may be addressed to either the dealer from whom this product is purchased or to Reimann & Georger Corporation Marine Products, P.O. Box 681, Buffalo, NY 14240.

L. EXCLUSIONS FROM LIMITED WARRANTY. THIS LIMITED WARRANTY DOES NOT COVER ANY OF THE FOLLOWING:

1. Equipment which has been abused, damaged, used beyond rated capacity, or which is damaged or has defects caused by repairs or service completed by persons other than authorized service personnel.
2. Costs of repairing damage caused by environmental factors which include, but are not limited to, airborne fallout, chemicals, tree sap, salt, ocean spray, and water hazards.
3. Damage caused by acts of God which include, but are not limited to, hailstorms, windstorms, tornadoes, sandstorms, lightning, floods, and earthquakes.
4. Damage under conditions caused by fire or accident, by abuse or negligence, by improper installation, by misuse, by incorrect operation, by "normal wear and tear", by improper adjustment or alteration, by alterations not done by the Manufacturer, or by failure of product parts from such alterations.
5. Costs of repairing damage caused by poor or improper maintenance, costs of normally scheduled maintenance, or the cost of replacing any parts unless done as the result of a repair covered by your five-year limited warranty.
6. Costs of modifying the product in any way once delivered to the Buyer, even if such modifications were added as a production change on other products made after the Buyer's product was built.

M. RIGHT TO MODIFY PRODUCT

The Manufacturer has the right to modify this product at any time without incurring any obligation to make the same or similar modifications on products previously purchased.

N. NO AUTHORITY TO ALTER WARRANTY

No agent, representative, distributor or dealer has any authority to alter the terms of this warranty in any way.

O. SPECIFIC LEGAL RIGHTS

This warranty gives you specific legal rights and you may also have other rights which vary from State to State.

COMMERCIAL PRODUCT PROVISIONS

II. ARTICLE II—COMMERCIAL PRODUCT PROVISIONS: THE FOLLOWING PROVISIONS SHALL BE APPLICABLE ONLY IF THIS PRODUCT IS BEING PURCHASED SOLELY FOR COMMERCIAL OR INDUSTRIAL USE. IF THIS PRODUCT IS BEING PURCHASED FOR PERSONAL, FAMILY OR HOUSEHOLD PURPOSES, THE PROVISIONS CONTAINED IN THIS ARTICLE II SHALL NOT BE APPLICABLE AND THE PROVISIONS CONTAINED IN ARTICLE I ABOVE SHALL APPLY.

A. 1-YEAR LIMITED WARRANTY

The Manufacturer warrants to the Buyer that the supplied canopy fabric material and workmanship shall not become unserviceable because of loss of color or strength from normal exposure conditions, including sunlight, mildew, rot and normal atmospheric chemicals for a period of one (1) year from date of original purchase. This limited warranty applies to the canopy fabric only. It does not cover labor, installation, or decoration.

B. 5-YEAR LIMITED WARRANTY ON ALUMINUM FRAME EXTRUSION

The Manufacturer warrants to the Buyer that the frame and extrusions shall be free of defects in material and workmanship for a period of five (5) years from date of original purchase. This limited warranty covers the cost of all parts and labor needed to repair any item that is found to be defective in material and workmanship.

C. MANUFACTURER'S OBLIGATIONS

The Manufacturer's sole obligation under either of these limited warranties is the replacement or repair, at the Manufacturer's discretion, of parts found to be defective.

D. NO SPECIAL, INCIDENTAL, OR CONSEQUENTIAL DAMAGES

IN NO EVENT SHALL THE MANUFACTURER BE LIABLE TO THE BUYER OR ANY PERSON FOR ANY INDIRECT, SPECIAL, INCIDENTAL, OR CONSEQUENTIAL LOSSES OR DAMAGES CONNECTED WITH THE USE OF THE PRODUCT UNDER WARRANTY. SUCH DAMAGES FOR WHICH THE MANUFACTURER SHALL NOT BE RESPONSIBLE INCLUDE, BUT ARE NOT LIMITED TO, LOST TIME AND CONVENIENCE, LOSS OF USE OF THE PRODUCT, THE COST OF A PRODUCT RENTAL, COSTS OF GASOLINE, TELEPHONE, TRAVEL, OR LODGING, THE LOSS OF PERSONAL OR COMMERCIAL PROPERTY, AND THE LOSS OF REVENUE.

E. NO LIABILITY IN EXCESS OF PURCHASE PRICE

IN NO EVENT SHALL THE MANUFACTURER'S OBLIGATIONS UNDER THIS LIMITED WARRANTY EXCEED THE PURCHASE PRICE OF THE PRODUCT.

F. NO EXTENSION OF STATUTE OF LIMITATIONS

ANY REPAIRS PERFORMED UNDER EITHER OF THESE WARRANTIES SHALL NOT IN ANY WAY EXTEND THE RESPECTIVE STATUTES OF LIMITATIONS CONTAINED IN THIS LIMITED WARRANTY.

G. WAIVER OF OTHER WARRANTIES

THESE EXPRESS WARRANTIES ARE IN LIEU OF AND EXCLUDE ANY AND ALL OTHER WARRANTIES, EXPRESS OR IMPLIED, INCLUDING, BUT NOT LIMITED TO, THE IMPLIED WARRANTIES OR MERCHANTABILITY AND FITNESS FOR A PARTICULAR PURPOSE.

H. PROCEDURE FOR WARRANTY PERFORMANCE

If the product fails to perform to the Manufacturer's specifications, the Buyer must contact the dealer from whom the product was purchased. The Buyer must provide the dealer with the applicable model and serial numbers, the date of purchase, and the nature of the problem.

I. PREAPPROVAL OF LABOR COSTS

All labor costs related to a dealer's performance of the warranty obligations under this limited warranty must be pre-approved by Reimann & Georger Corp. Marine Products.

J. EXCLUSIONS FROM WARRANTY. THIS LIMITED WARRANTY DOES NOT COVER ANY OF THE FOLLOWING:

1. Equipment which has been abused, damaged, used beyond rated capacity, or which is damaged or has defects caused by repairs or service completed by persons other than authorized service personnel.
2. Costs of repairing damage caused by environmental factors which include, but are not limited to, airborne fallout, chemicals, tree sap, salt, ocean spray, and water hazards.
3. Damage caused by acts of God which include, but are not limited to, hailstorms, windstorms, tornadoes, sandstorms, lightning, floods, and earthquakes.
4. Damage under conditions caused by fire or accident, by abuse or negligence, by improper installation, by misuse, by incorrect operation, by "normal wear and tear", by improper adjustment or alteration, by alterations not done by the Manufacturer, or by failure of product parts from such alterations.
5. Costs of repairing damage caused by poor or improper maintenance, costs of normally scheduled maintenance, or the cost of replacing any parts unless done as the result of a repair covered by your one-year limited warranty.
6. Costs of modifying the product in any way once delivered to the Buyer, even if such modifications were added as a production change on other products made after the Buyer's product was built.

K. RIGHT TO MODIFY PRODUCT

The Manufacturer has the right to modify this product at any time without incurring any obligation to make the same or similar modifications on products previously purchased.

L. NO AUTHORITY TO ALTER WARRANTY

No agent, representative, distributor, or dealer has any authority to alter the terms of this warranty in any way.

M. SPECIFIC LEGAL RIGHTS

This warranty gives you specific legal rights, and you may also have other rights which vary from State to State.